



**PARTS
CATALOGUE
CATALOGO
DE REPUESTOS**

F150BET'14 (6BM7)

FL150BET'14 (6BN7)



1N6BM-200S1

()

F150BET/FL150BET
PARTS CATALOGUE
©2014 by Yamaha Motor Co., Ltd.
1st edition, June 2014
All rights reserved.
Any reprinting or unauthorized use
without the written permission of
Yamaha Motor Co., Ltd.
is expressly prohibited.
Printed in Japan.

F150BET/FL150BET
CATALOGO DE REPUESTOS
©2014 por Yamaha Motor Co., Ltd.
1ª edición, junio 2014
Todos los derechos reservados.
Toda reproducción o uso no autorizado
sin el consentimiento escrito de
Yamaha Motor Co., Ltd.
quedan expresamente prohibidos
Impreso en Japón.

FOREWORD

This Parts Catalogue is related to the parts for the model(s) on the cover page. When you are ordering replacement parts, please refer to this Parts Catalogue and quote both part numbers and part names correctly.

1. Modifications or additions which have been made after the issue of the Parts Catalogue will be announced in the Parts News.
It is advisable that you make the necessary corrections to the Parts Catalogue according to the Parts News.

2. Abbreviations

The following abbreviations are used in this Parts Catalogue.

“UR” Use specified parts number.

“UN” Use as many as needed.

“AP” Alternate Parts

“LM” Locally Made (Parts need to be ordered locally)

“F#” Frame No. (Applicable machine No.)

“O/S” Over Size

3. The number of components for assembly

- Parts, which are to be supplied in an assembly, are listed with a dot (.) in front of the part name as shown below.
- The numeral appearing to the right of each component part indicates the quantity of parts for each assembly unit.

| PART NO. | DESCRIPTION | Q'TY | REMARKS |
|--------------|--------------------------|------|---------|
| 2F5-83310-60 | FRONT FLASHER LIGHT ASSY | 2 | |
| 115-83311-60 | .BULB (6V-18W) | 1 | |

4. Applicable colours of graphics are represented in the “REMARKS” as shown below.

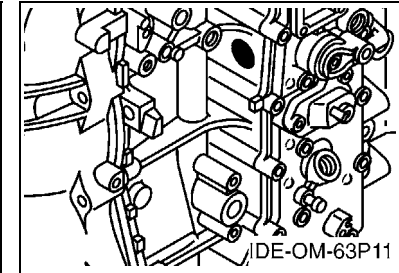
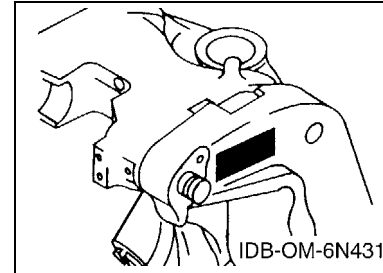
| PART NO. | DESCRIPTION | Q'TY | REMARKS |
|-----------------|---------------------|------|---------|
| 2N4-24110-00-X5 | FUEL TANK COMP. | 2 | MXR |
| 3J1-24240-10 | .GRAPHIC, FUEL TANK | 1 | FOR MXR |

5. Note that the illustrations for reference in finding parts numbers are not to be used for assembling. When assembling, please use the applicable service manual.

6. The asterisk (*) before a reference number indicates modified items after the first edition.

7. Applicable Serial No.

Engine Serial No.



8. Applicable Engine Starting Serial No.

| Model | Serial No. | Model | Serial No. |
|-------|-------------|--------|-------------|
| F150B | 6BM-1003126 | FL150B | 6BN-1000600 |
| | | | |
| | | | |
| | | | |

9. Applicable Colour Code

| Abbreviation | Colour Name | Colour Code |
|--------------|--------------------|-------------|
| DBN1 | DARK BLUISH GRAY 1 | 008D |

10. Quantity Column Information

| Column No. | Name Of Q'ty Column | Applicable Model |
|------------|---------------------|------------------|
| 1 | 6BM7 | F150BET |
| 2 | 6BN7 | FL150BET |
| | | |
| | | |

PROLOGO

Este catálogo de repuestos corresponde a las piezas para el o los modelos que figuran en la página de portada. Al formular el pedido de repuestos, se ruega citar este catálogo y especificar correctamente el número y el nombre de las piezas.

- Las modificaciones y agregados que se hayan realizado después de la edición de este Catálogo de Repuestos, serán anunciados en las Informaciones de Recambios. Es recomendable que se hagan las correcciones necesarias en el Catálogo de Repuestos de acuerdo con las Informaciones de Recambios.

2. Abreviaciones

En este. Catálogo de Repuestos se emplean las siguientes abreviaciones.

“UR” Usar el número de partes especificado

“UN” Usar la cantidad necesaria

“AP” Piezas sustitutivas

“LM” Fabricación local (Hay que pedir los repuestos en las cercanías)

“F#” N° de bastidor (N° aplicable a la máquina)

“O/S” Sobredimensionado

3. La cantidad de componentes para el montaje

- Los componentes, suministrados como conjunto, se describen con un punto (.) que precede al nombre del parte como se indica a continuación.
- La numeración que aparece a la derecha de cada descripción indica la cantidad de partes por cada unidad de conjunto.

| CODIGO N° | DESCRIPCION | CANT. | OBSERVACIONES |
|--------------|----------------------|-------|---------------|
| 2F5-83310-60 | ENSAMBLAJE DE LA LUZ | 2 | |
| 115-83311-60 | .BOMBILLA (6V-18W) | 1 | |

4. Los colores de los componentes se indican como sigue en la columna de “OBSERVACIONES”.

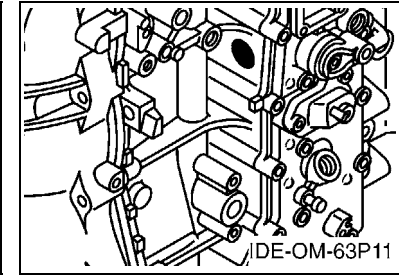
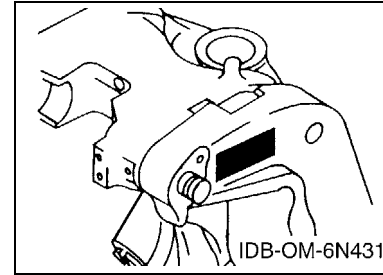
| CODIGO N° | DESCRIPCION | CANT. | OBSERVACIONES |
|-----------------|----------------------|-------|---------------|
| 2N4-24110-00-X5 | COMP. DEL TANQUE | 2 | MXR |
| 3J1-24240-10 | .GRAFICO, DEL TANQUE | 1 | PARA MXR |

- Debe tenerse en cuenta que las ilustraciones sirven como guía para la búsqueda de los números de partes y no deben usarse para el montaje. Durante el montaje, se recomienda usar el manual de taller correspondiente.

- EL asterisco (*) antes del número de referencia indica los elementos modificados después de la primera edición.

7. Números de serie

N° de Serie del motor



8. Números de serie del motor

| Modelo | N° de serie | Modelo | N° de serie |
|--------|-------------|--------|-------------|
| F150B | 6BM-1003126 | FL150B | 6BN-1000600 |
| | | | |
| | | | |
| | | | |

9. Códigos de color aplicables

| Abreviatura | Nombre de color | Código de color |
|-------------|--------------------|-----------------|
| DBN1 | DARK BLUISH GRAY 1 | 008D |

10. Información para la columna de cantidades

| Columna N° | Nombre de la columna de cantidades | Modelo aplicable |
|------------|------------------------------------|------------------|
| 1 | 6BM7 | F150BET |
| 2 | 6BN7 | FL150BET |
| | | |
| | | |

CONTENTS

| | |
|--------------------------------|----|
| SCHEDULED SERVICE PARTS | 1 |
| TOP COWLING | 2 |
| CYLINDER & CRANKCASE 1 | 3 |
| CRANKSHAFT & PISTON | 5 |
| CYLINDER & CRANKCASE 2 | 6 |
| CYLINDER & CRANKCASE 3 | 8 |
| VALVE | 10 |
| INTAKE 1 | 12 |
| INTAKE 2 | 13 |
| INTAKE 3 | 14 |
| FUEL INJECTION PUMP 1 | 16 |
| FUEL INJECTION PUMP 2 | 18 |
| FUEL 1 | 19 |
| FUEL 2 | 21 |
| GENERATOR | 22 |
| ELECTRICAL 1 | 23 |
| ELECTRICAL 2 | 24 |
| ELECTRICAL 3 | 26 |
| STARTING MOTOR | 28 |
| BOTTOM COWLING | 30 |
| CONTROL | 32 |
| BRACKET 1 | 35 |
| BRACKET 2 | 37 |
| POWER TRIM & TILT ASSY 1 | 39 |
| POWER TRIM & TILT ASSY 2 | 42 |
| UPPER CASING | 43 |
| OIL PAN | 45 |
| LOWER CASING & DRIVE 1 | 46 |
| LOWER CASING & DRIVE 2 | 50 |
| LOWER CASING & DRIVE 3 | 52 |
| LOWER CASING & DRIVE 4 | 56 |
| STEERING GUIDE | 58 |
| REMOTE CONTROL BOX | 59 |
| REMOTE CONTROL ASSY 1 | 60 |
| REMOTE CONTROL ASSY 2 | 63 |
| REMOTE CONTROL ASSY 3 | 66 |
| METER | 69 |
| SWITCH & PANEL 1 | 70 |
| SWITCH & PANEL 2 | 71 |
| OPTIONAL PARTS 1 | 72 |
| OPTIONAL PARTS 2 | 73 |

| | |
|------------------------|----|
| OPTIONAL PARTS 3 | 74 |
| OPTIONAL PARTS 4 | 75 |
| REPAIR KIT 1 | 76 |
| REPAIR KIT 2 | 77 |

INDEX

| | |
|-----------------------|----|
| NUMERICAL INDEX | 79 |
|-----------------------|----|

CONTENIDO

| | |
|-------------------------------------|----|
| PARTES DE REPUESTO TEMPORALES | 1 |
| SOPORTE SUPERIOR | 2 |
| CILINDRO & CARTER 1 | 3 |
| CIGUENAL & PISTON | 5 |
| CILINDRO & CARTER 2 | 6 |
| CILINDRO & CARTER 3 | 8 |
| VALVULA | 10 |
| ADMISION 1 | 12 |
| ADMISION 2 | 13 |
| ADMISION 3 | 14 |
| BOMBA DE INYECTOR 1 | 16 |
| BOMBA DE INYECTOR 2 | 18 |
| COMBUSTIBLE 1 | 19 |
| COMBUSTIBLE 2 | 21 |
| GENERADOR | 22 |
| EQUIPO ELECTRICO 1 | 23 |
| EQUIPO ELECTRICO 2 | 24 |
| EQUIPO ELECTRICO 3 | 26 |
| MOTOR DE ARRANQUE | 28 |
| CUBIERTA INFERIOR | 30 |
| CONTROL | 32 |
| SOPORTE 1 | 35 |
| SOPORTE 2 | 37 |
| COMPONER Y PODER VARILLA 1 | 39 |
| COMPONER Y PODER VARILLA 2 | 42 |
| FUNDA SUPERIOR | 43 |
| OIL PAN | 45 |
| IMPULSOR E INFERIOR 1 | 46 |
| IMPULSOR E INFERIOR 2 | 50 |
| IMPULSOR E INFERIOR 3 | 52 |
| IMPULSOR E INFERIOR 4 | 56 |
| DIRECCIONGUIAR | 58 |
| CONTROL REMOTO COMPLETO | 59 |
| CONTROL REMOTO COMPL 1 | 60 |
| CONTROL REMOTO COMPL 2 | 63 |
| CONTROL REMOTO COMPL 3 | 66 |
| MEDIDOR | 69 |
| PANEL DE INTERRUPTOR 1 | 70 |
| PANEL DE INTERRUPTOR 2 | 71 |
| PARTES OPCIONALES 1 | 72 |
| PARTES OPCIONALES 2 | 73 |

| | |
|----------------------------|----|
| PARTES OPCIONALES 3 | 74 |
| PARTES OPCIONALES 4 | 75 |
| ESTUCHE REPARATION 1 | 76 |
| ESTUCHE REPARATION 2 | 77 |

INDICE

| | |
|-----------------------|----|
| INDICE NUMERICO | 79 |
|-----------------------|----|

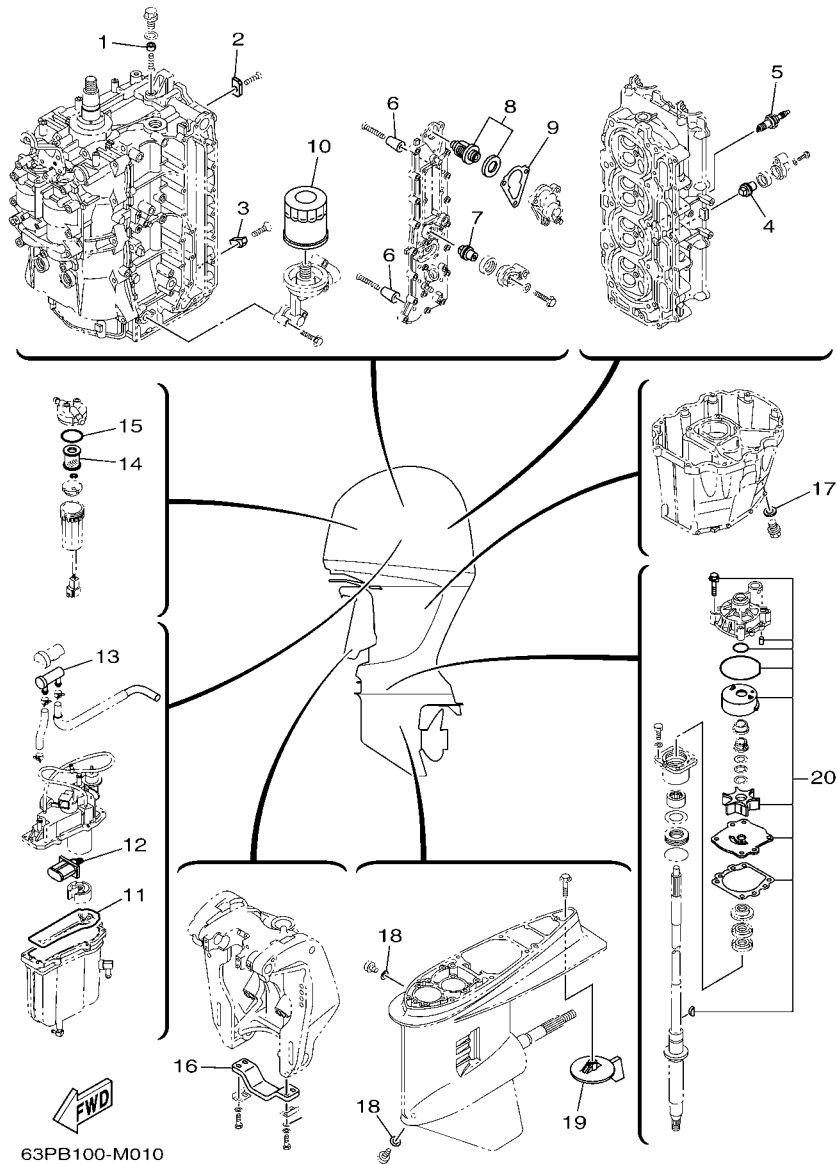


FIG. 1 SCHEDULED SERVICE PARTS PARTES DE REPUESTO TEMPORALES

| REF. NO. | PART NO. CODIGO Nº | DESCRIPTION DESCRIPCION | 6BM7 | 6BN7 | REMARKS OBSERVACIONES |
|----------|------------------------------|--|--------|------|-----------------------|
| 1 | 63P-11325-21 | ANODE ANODO | 1 | 1 | |
| 2 | 63P-11325-11 | ANODE ANODO | 4 | 4 | |
| 3 | 63P-11325-01 | ANODE ANODO | 1 | 1 | |
| 4 | 67F-11325-01 | ANODE ANODO | 2 | 2 | |
| 5 | 94702-00391 | PLUG, SPARK (NGK LFR5A-11) BUJIA (NGK LFR5A-11) | 4 | 4 | |
| 6 | 68T-11325-00 | ANODE ANODO | 8 | 8 | |
| 7 | 67F-11325-01 | ANODE ANODO | 1 | 1 | |
| 8 | 67F-12411-01 | THERMOSTAT TERMOSTAT | 1 | 1 | |
| 9 | 63P-12414-00 | GASKET, COVER EMPAQUE | 1 | 1 | |
| 10 | 69J-13440-03 | ELEMENT ASSY, OIL CLEANER ELEMENTO FILTRO DE ACEITE | 1 | 1 | |
| 11 | 63P-14984-00 | GASKET, FLOAT CHAMBER EMPAQUE CAMARA DE BOIA | 1 | 1 | |
| 12 | 63P-13915-00 | FILTER FILTRO | 1 | 1 | |
| 13 | 69J-24501-10 | FILTER, FUEL FIELTRO | 1 | 1 | |
| 14 | 6P3-24563-01 | ELEMENT, FILTER ELEMENTO DEL FILTRO | 1 | 1 | |
| 15 | 6P3-24564-00 | GASKET EMPAQUE | 1 | 1 | |
| 16 | 6G5-45251-02 | ANODE CATODE | 1 | 1 | |
| 17 | 90430-14M09 | GASKET JUNTA | 1 | 1 | |
| 18 | 90430-08020 | GASKET JUNTA | 2 | 2 | |
| 19 | 6J9-45371-01 6K1-45371-02 | TAB-TRIM QUILLA ESTABILIZADOR TAB-TRIM QUILLA ESTABILIZADOR | 1 1 | 1 | |
| 20 | 6S1-W0078-00 | WATER PUMP REPAIR KIT ESTUCHE REPARACION BOMBA AGUA | 1 | 1 | |

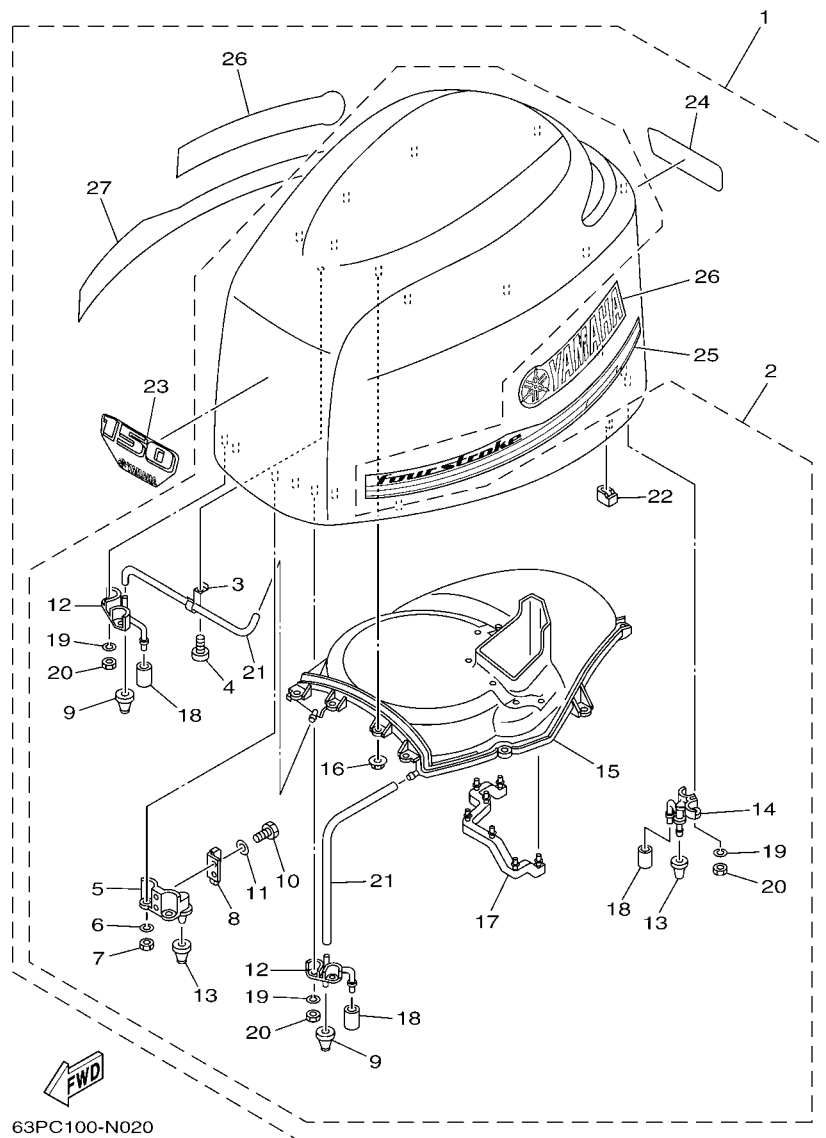
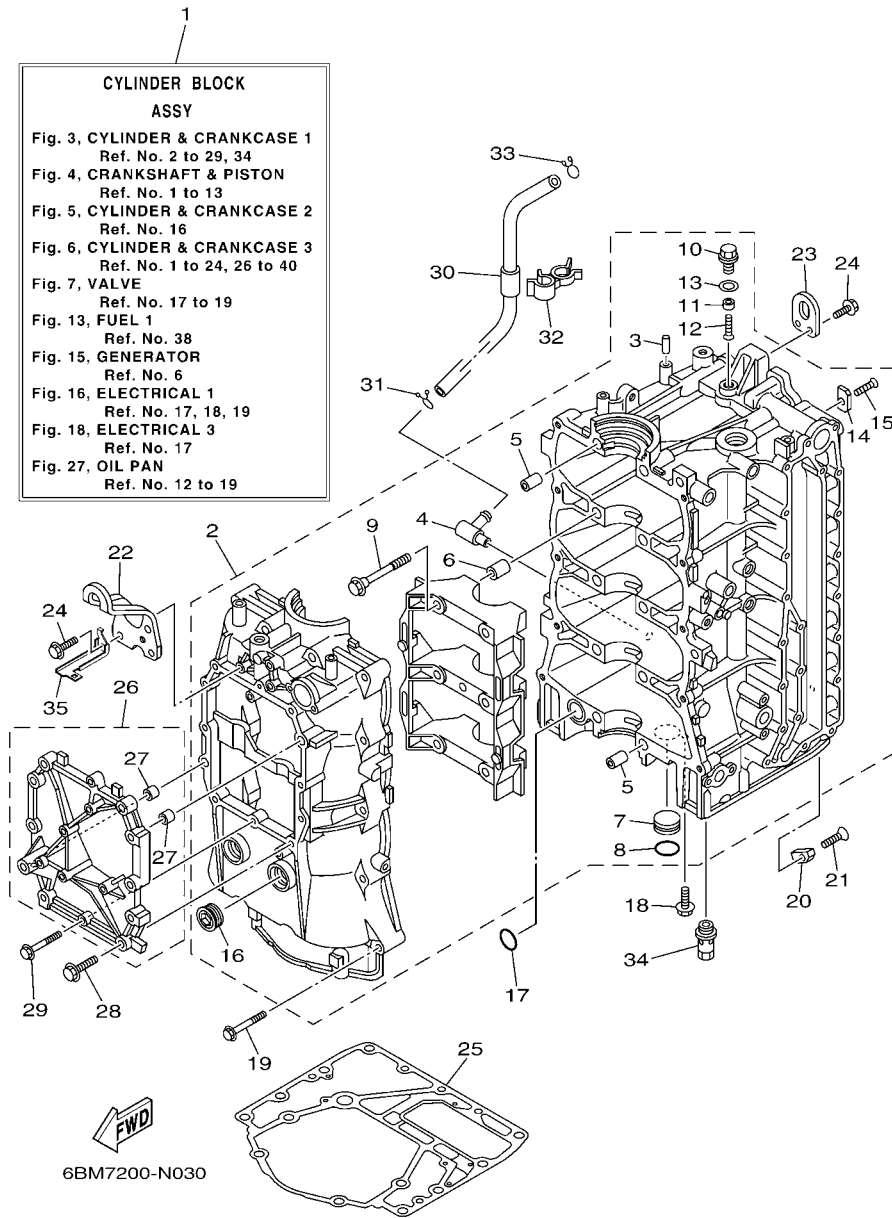


FIG. 2 TOP COWLING

SOPORTE SUPERIOR

| REF. NO. | PART NO. CODIGO Nº | DESCRIPTION DESCRIPCION | 6BM7 | 6BN7 | | REMARKS OBSERVACIONES |
|----------|--------------------|---|------|------|--|-----------------------|
| 1 | 63P-42610-41 | TOP COWLING ASSY SOPORTE SUPERIOR COMPL. | 1 | 1 | | |
| 2 | 63P-4261A-00 | .TOP COWLING W/O GRAPHICS .SOPORTE SUPERIOR SIN GRAFICOS | 1 | 1 | | |
| 3 | 90465-10032 | ..CLAMP ..BRIDA | 1 | 1 | | |
| 4 | 97780-50620 | ..SCREW, TAPPING ..TORNILLO DE CABEZA DE CONO ACH | 1 | 1 | | |
| 5 | 63P-42647-00 | ..HOLDER, CLAMP BAND ..MORDAZA DE ABRAZADERA | 2 | 2 | | |
| 6 | 92990-06100 | ..WASHER, SPRING ..ARANDELA PLANA | 4 | 4 | | |
| 7 | 95380-06600 | ..NUT, HEXAGON ..TUERCA | 4 | 4 | | |
| 8 | 60V-42651-01 | ..HOOK ..GANCHO | 2 | 2 | | |
| 9 | 69J-42663-00 | ..DAMPER ..AMORTIGUADOR 2 | 2 | 2 | | |
| 10 | 97095-06016 | ..BOLT ..PERNO | 4 | 4 | | |
| 11 | 92995-06600 | ..WASHER ..ARANDELA | 4 | 4 | | |
| 12 | 63P-42643-01 | ..PLATE, CLAMP ..PLACA GRAMPA | 2 | 2 | | |
| 13 | 68F-42663-00 | ..DAMPER ..AMORTIGUADOR 2 | 4 | 4 | | |
| 14 | 63P-42644-00 | ..PLATE, CLAMP 2 ..PLACA GRAMPA 2 | 2 | 2 | | |
| 15 | 63P-42613-00 | ..MOLDING, AIR DUCT ..MOLDURA CONDUCTO AIRE | 1 | 1 | | |
| 16 | 90179-06M24 | ..NUT ..TUERCA | 10 | 10 | | |
| 17 | 63P-42617-00 | ..DAMPER, FORM ..HULE DE FORMA | 1 | 1 | | |
| 18 | 67F-13448-00 | ..CAP ..TAPA | 4 | 4 | | |
| 19 | 92990-06100 | ..WASHER, SPRING ..ARANDELA PLANA | 8 | 8 | | |
| 20 | 95380-06600 | ..NUT, HEXAGON ..TUERCA | 8 | 8 | | |
| 21 | 90445-11020 | ..HOSE (L400) ..TUBO (L400) | 2 | 2 | | |
| 22 | 63P-42662-00 | ..DAMPER ..AMORTIGUADOR | 4 | 4 | | |
| 23 | 63P-42677-40 | ..GRAPHIC, FRONT ..CALCAMONIA FRONTAL | 1 | 1 | | |
| 24 | 63P-42678-41 | ..GRAPHIC, REAR ..CALCAMONIA TRASERA | 1 | 1 | | |
| 25 | 63P-42675-20 | ..GRAPHIC, SIDE 1 ..CALCAMONIA LATERAL 1 | 1 | 1 | | |
| 26 | 63P-42681-20 | ..MARK, COWLING ..MARCA DE CUBIERTA | 2 | 2 | | |
| 27 | 63P-42676-20 | ..GRAPHIC, SIDE 2 ..CALCAMONIA LATERAL 2 | 1 | 1 | | |



**CYLINDER BLOCK
ASSY**

Fig. 3, CYLINDER & CRANKCASE 1
Ref. No. 2 to 29, 34

Fig. 4, CRANKSHAFT & PISTON
Ref. No. 1 to 13

Fig. 5, CYLINDER & CRANKCASE 2
Ref. No. 16

Fig. 6, CYLINDER & CRANKCASE 3
Ref. No. 1 to 24, 26 to 40

Fig. 7, VALVE
Ref. No. 17 to 19

Fig. 13, FUEL 1
Ref. No. 38

Fig. 15, GENERATOR
Ref. No. 6

Fig. 16, ELECTRICAL 1
Ref. No. 17, 18, 19

Fig. 18, ELECTRICAL 3
Ref. No. 17

Fig. 27, OIL PAN
Ref. No. 12 to 19

FIG. 3 CYLINDER & CRANKCASE 1 CILINDRO & CARTER 1

| REF. NO. | PART NO. CODIGO Nº | DESCRIPTION DESCRIPCION | 6BM7 | 6BN7 | REMARKS OBSERVACIONES |
|----------|--------------------|---|------|------|-----------------------|
| 1 | 6BM-W009B-02-9S | CYLINDER BLOCK ASSY CILINDRO BLOQUE COMPLETO | 1 | 1 | |
| 2 | 63P-W1510-03-9S | CRANKCASE ASSY CARTER COMPLETO | 1 | 1 | |
| 3 | 93606-12019 | .PIN, DOWEL .PASADOR DE CLAVIJA | 1 | 1 | |
| 4 | 63P-11372-00 | .NIPPLE, HOSE .NIPLE DE MANGUERA | 1 | 1 | |
| 5 | 91814-18002 | .PIN, DOWEL .PASADOR DE CLAVIJA | 4 | 4 | |
| 6 | 91814-18002 | .PIN, DOWEL .PASADOR DE CLAVIJA | 6 | 6 | |
| 7 | 90338-25004 | .PLUG .TAPON | 1 | 1 | |
| 8 | 93210-25647 | .O-RING .ANILLO O | 1 | 1 | |
| 9 | 90105-10071 | .BOLT, FLANGE .TORNILLO | 10 | 10 | |
| 10 | 63P-11197-00 | .PLUG, BLIND .TAPON CIEGO | 1 | 1 | |
| 11 | 63P-11325-21 | .ANODE .ANODO | 1 | 1 | |
| 12 | 98780-05016 | .SCREW, FLAT HEAD .TORNILLO CABEZA PLANA | 1 | 1 | |
| 13 | 90430-14115 | .GASKET .JUNTA | 1 | 1 | |
| 14 | 63P-11325-11 | .ANODE .ANODO | 4 | 4 | |
| 15 | 90151-06M02 | .SCREW, COUNTERSUNK .TORNILLO EMBUTIDO | 4 | 4 | |
| 16 | 90340-27129 | .PLUG, STRAIGHT SCREW .TORNILLO, DE DRENAJE | 2 | 2 | |
| 17 | 93210-25552 | O-RING ANILLO O | 1 | 1 | |
| 18 | 90119-06M81 | BOLT, WITH WASHER TORNILLO CON ARANDELA | 1 | 1 | |
| 19 | 90119-08M66 | BOLT, WITH WASHER TORNILLO CON ARANDELA | 10 | 10 | |
| 20 | 63P-11325-01 | ANODE ANODO | 1 | 1 | |
| 21 | 90151-06M02 | SCREW, COUNTERSUNK TORNILLO EMBUTIDO | 1 | 1 | |
| 22 | 63P-11119-00 | HANGER, ENGINE SOPORTE DEL MOTOR | 1 | 1 | |
| 23 | 68F-11119-00 | HANGER, ENGINE SOPORTE DEL MOTOR | 1 | 1 | |
| 24 | 90119-06MA2 | BOLT, WITH WASHER TORNILLO CON ARANDELA | 5 | 5 | |
| 25 | 63P-11351-01 | GASKET, CYLINDER JUNTA, DE CILINDRO | 1 | 1 | |
| 26 | 6BM-11511-00-94 | COVER, CRANK CUBIERTA MANIVELA | 1 | 1 | |
| 27 | 91811-11001 | .PIN, DOWEL .PASADOR DE CLAVIJA | 2 | 2 | |

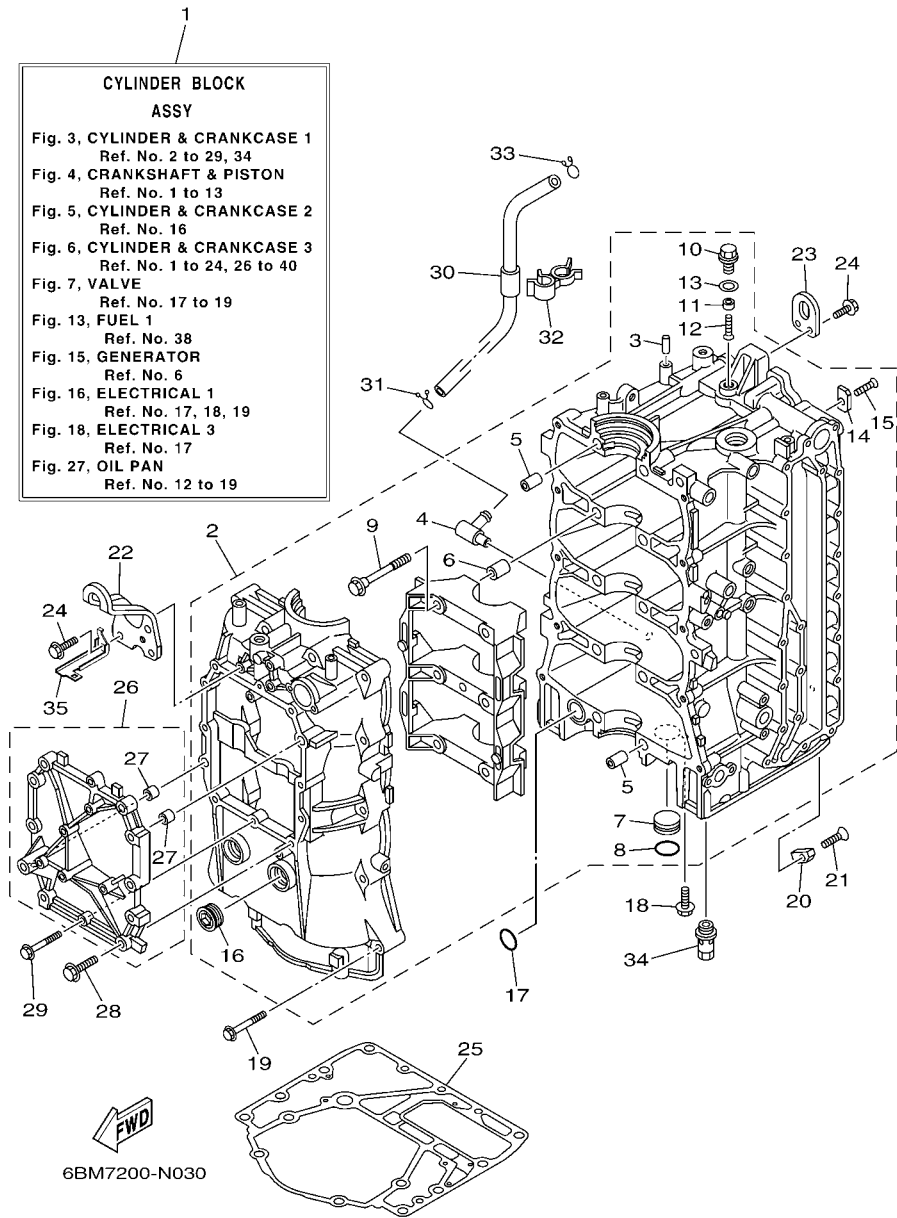
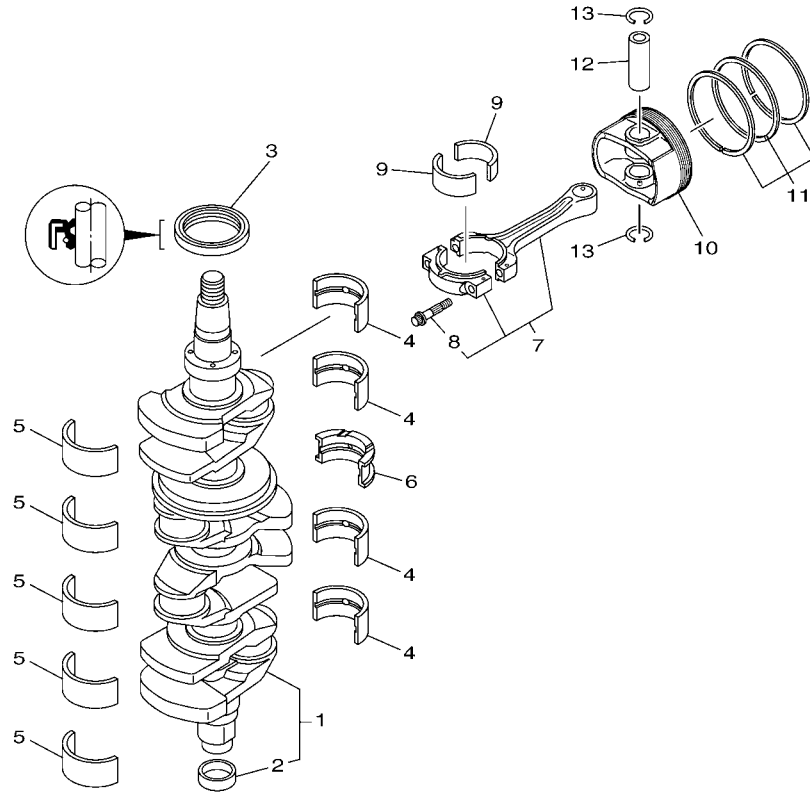


FIG. 3 CYLINDER & CRANKCASE 1 CILINDRO & CARTER 1

| REF. NO. | PART NO. CODIGO Nº | DESCRIPTION DESCRIPCION | 6BM7 | 6BN7 | | | REMARKS OBSERVACIONES |
|----------|--------------------|---|------|------|--|--|-----------------------|
| | | | | | | | |
| 28 | 90119-08022 | BOLT, WITH WASHER TORNILLO CON ARANDELA | 10 | 10 | | | |
| 29 | 90105-06037 | BOLT, FLANGE TORNILLO | 2 | 2 | | | |
| 30 | 6BM-11377-00 | HOSE MANGUERA | 1 | 1 | | | |
| 31 | 90467-15M14 | CLIP PRESILLA | 1 | 1 | | | |
| 32 | 90464-16013 | CLAMP BRIDA | 1 | 1 | | | |
| 33 | 90467-15M14 | CLIP PRESILLA | 1 | 1 | | | |
| 34 | 63P-13490-00 | RELIEF VALVE ASSY VALVULA DE DESCOMPRESION | 1 | 1 | | | |
| 35 | 63P-82588-00 | PLATE PLACA | 1 | 1 | | | |
| | | | | | | | |
| | | | | | | | |
| | | | | | | | |
| | | | | | | | |
| | | | | | | | |
| | | | | | | | |
| | | | | | | | |
| | | | | | | | |
| | | | | | | | |
| | | | | | | | |
| | | | | | | | |
| | | | | | | | |

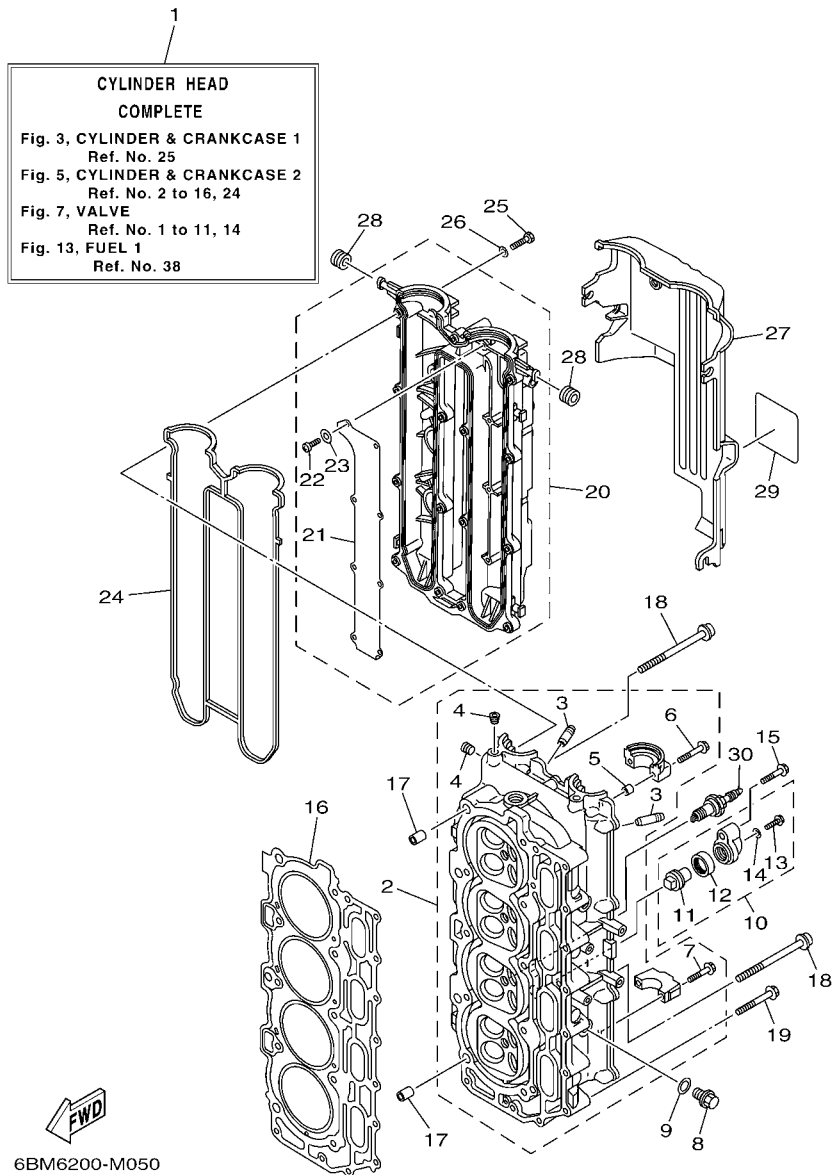



6BM4700-L030

FIG. 4 CRANKSHAFT & PISTON

CIGUENAL & PISTON

| REF. NO. | PART NO. CODIGO Nº | DESCRIPTION DESCRIPCION | 6BM7 | 6BN7 | REMARKS OBSERVACIONES |
|----------|--------------------|---|------|------|------------------------|
| 1 | 6BM-11410-01 | CRANKSHAFT CIGUENAL | 1 | 1 | |
| 2 | 6CB-11478-00 | .COLLAR .COLLAR | 1 | 1 | |
| 3 | 93102-60004 | OIL SEAL SELLO ACEITE | 1 | 1 | |
| 4 | 63P-11416-31 | PLANE BEARING, CRANKSHAFT 1 COJINETE PLANO 1 | 4 | 4 | UR GREEN UR GREEN |
| | 63P-11416-41 | PLANE BEARING, CRANKSHAFT 1 COJINETE PLANO 1 | 4 | 4 | UR RED UR RED |
| | 63P-11416-51 | PLANE BEARING, CRANKSHAFT 1 COJINETE PLANO 1 | 4 | 4 | UR YELLOW UR YELLOW |
| 5 | 63P-11417-41 | PLANE BEARING, CRANKSHAFT 2 COJINETE PLANO 2 | 5 | 5 | UR BROWN UR BROWN |
| | 63P-11417-51 | PLANE BEARING, CRANKSHAFT 2 COJINETE PLANO 2 | 5 | 5 | UR GREEN UR GREEN |
| | 63P-11417-61 | PLANE BEARING, CRANKSHAFT 2 COJINETE PLANO 2 | 5 | 5 | UR RED UR RED |
| | 63P-11417-71 | PLANE BEARING, CRANKSHAFT 2 COJINETE PLANO 2 | 5 | 5 | UR YELLOW UR YELLOW |
| | 63P-11417-81 | PLANE BEARING, CRANKSHAFT 2 COJINETE PLANO 2 | 5 | 5 | UR BLUE UR BLUE |
| 6 | 63P-11426-31 | BEARING, THRUST 1 COJINETE DE EMPUJE 1 | 1 | 1 | UR GREEN UR GREEN |
| | 63P-11426-41 | BEARING, THRUST 1 COJINETE DE EMPUJE 1 | 1 | 1 | UR RED UR RED |
| | 63P-11426-51 | BEARING, THRUST 1 COJINETE DE EMPUJE 1 | 1 | 1 | UR YELLOW UR YELLOW |
| 7 | 63P-W1165-10 | CONNECTING ROD ASSY BIELA COMPLETA | 4 | 4 | |
| 8 | 63P-11654-10 | .BOLT, CONNECTING ROD .TORNILLO DE BIELA | 2 | 2 | |
| 9 | 63P-11656-30 | PLANE BEARING, CONNECTING ROD COJINETE PLANO | 8 | 8 | UR GREEN UR GREEN |
| | 63P-11656-40 | PLANE BEARING, CONNECTING ROD COJINETE PLANO | 8 | 8 | UR BLUE UR BLUE |
| | 63P-11656-50 | PLANE BEARING, CONNECTING ROD COJINETE PLANO | 8 | 8 | UR RED UR RED |
| 10 | 63P-11631-10-93 | PISTON (STD) PISTON (NORMA) | 4 | 4 | |
| | 63P-11635-10 | PISTON (0.25MM O/S) PISTON (0.25MM O/S) | 4 | 4 | AP AP |
| 11 | 63P-11603-01 | PISTON RING SET (STD) JUEGO DE ANILLOS (NORMA) | 4 | 4 | |
| | 63P-11604-00 | PISTON RING SET (0.25MM O/S) JUEGO DE ANILLOS (0.25MM O/S) | 4 | 4 | AP AP |
| 12 | 63P-11633-10 | PIN, PISTON PASADOR, PISTON | 4 | 4 | |
| 13 | 63P-11634-00 | CLIP, PISTON PIN PRESILLA, BULON DE PISTON | 8 | 8 | |



6BM6200-M050

FIG. 5 CYLINDER & CRANKCASE 2 CILINDRO & CARTER 2

| REF. NO. | PART NO. CODIGO Nº | DESCRIPTION DESCRIPCION | 6BM7 | 6BN7 | | REMARKS OBSERVACIONES |
|----------|--------------------|---|------|------|--|-----------------------|
| 1 | 63P-W009A-03-9S | CYLINDER HEAD COMPLETE CILINDRO CULATA COMPLETO | 1 | 1 | | |
| 2 | 63P-11110-10-9S | CYLINDER HEAD ASSY CULATA DE CILINDRO COMPLETA | 1 | 1 | | |
| 3 | 6S5-11133-10 | .GUIDE, VALVE 1 .GUIA DE VALVULA 1 | 16 | 16 | | |
| 4 | 90344-51019 | .PLUG, TAPER SCREW .TAPON DE TORNILLO AHUSADO | 3 | 3 | | |
| 5 | 91809-08006 | .PIN, DOWEL .PASADOR DE CLAVIJA | 4 | 4 | | |
| 6 | 90119-07235 | .BOLT/WASHER-CAM CAPS .TORNILLO CON ARANDELA | 4 | 4 | | |
| 7 | 90119-07234 | .BOLT, WITH WASHER .TORNILLO CON ARANDELA | 16 | 16 | | |
| 8 | 90340-14M06 | PLUG, STRAIGHT SCREW TORNILLO, DE DRENAJE | 2 | 2 | | |
| 9 | 90430-14115 | GASKET JUNTA | 2 | 2 | | |
| 10 | 69J-11301-00 | ANODE COVER ASSY CONJUNTO CUBIERTA DE ANODO | 2 | 2 | | |
| 11 | 67F-11325-01 | .ANODE .ANODO | 1 | 1 | | |
| 12 | 67F-11328-00 | .GROMMET, ANODE .TAPON | 1 | 1 | | |
| 13 | 90105-06M07 | .BOLT, FLANGE .TORNILLO | 1 | 1 | | |
| 14 | 90430-06M03 | .GASKET JUNTA | 1 | 1 | | |
| 15 | 97575-08540 | BOLT, WITH WASHER PERNO CON ARANDELA | 2 | 2 | | |
| 16 | 63P-11181-00 | GASKET, CYLINDER HEAD 1 JUNTA, DE CULATA 1 | 1 | 1 | | |
| 17 | 99530-14016 | PIN, DOWEL PASADOR, DE ESPIGA | 2 | 2 | | |
| 18 | 90155-10006 | SCREW, FLAT FILLISTER TORNILLO CABEZA PLANA RAN. | 10 | 10 | | |
| 19 | 90119-08M91 | BOLT, WITH WASHER TORNILLO CON ARANDELA | 10 | 10 | | |
| 20 | 63P-11191-00-9S | COVER, CYLINDER HEAD 1 TAPA CULATA DE CILINDRO 1 | 1 | 1 | | |
| 21 | 63P-11135-00 | .PLATE, BREATHER 3 .PLACA RESPIRADERO 3 | 1 | 1 | | |
| 22 | 98507-04008 | .SCREW, PAN HEAD .TORNILLO DE CABEZA CON PLANA | 8 | 8 | | |
| 23 | 92907-04600 | .WASHER .ARANDELA | 8 | 8 | | |
| 24 | 63P-11193-00 | GASKET, HEAD COVER 1 EMPAQUE | 1 | 1 | | |
| 25 | 97095-06030 | BOLT PERNO | 13 | 13 | | |
| 26 | 92995-06600 | WASHER ARANDELA | 13 | 13 | | |
| 27 | 63P-11192-01 | COVER, CYLINDER HEAD 2 TAPA CULATA DE CILINDRO 2 | 1 | 1 | | |

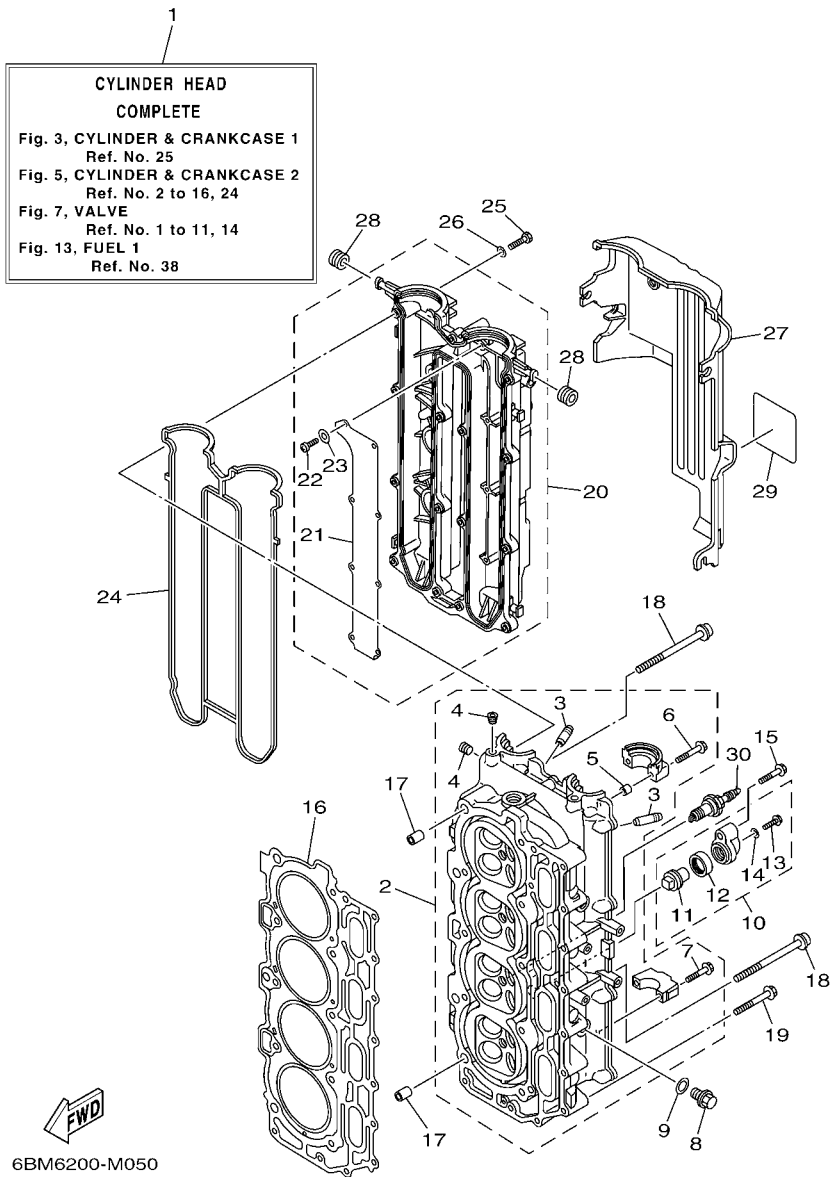
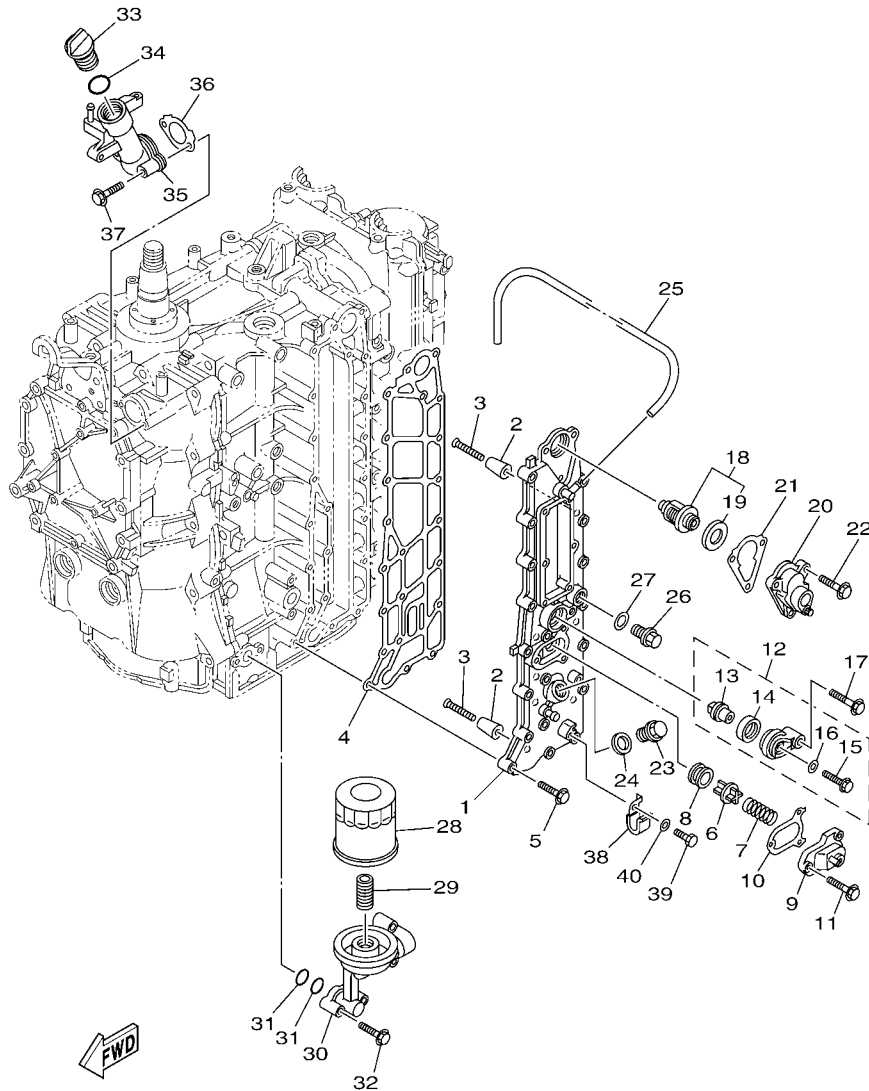


FIG. 5 CYLINDER & CRANKCASE 2 CILINDRO & CARTER 2

| REF. NO. | PART NO. CODIGO N° | DESCRIPTION DESCRIPCION | 6BM7 | 6BN7 | | REMARKS OBSERVACIONES |
|----------|--------------------|---|------|------|--|-----------------------|
| 28 | 90480-12314 | GROMMET TAPON | 5 | 5 | | |
| 29 | 63P-83626-00 | MARK 6 MARCA 6 | 1 | 1 | | |
| 30 | 94702-00391 | PLUG, SPARK (NGK LFR5A-11) BUJIA (NGK LFR5A-11) | 4 | 4 | | |
| ----- | | | | | | |
| ----- | | | | | | |
| ----- | | | | | | |
| ----- | | | | | | |
| ----- | | | | | | |
| ----- | | | | | | |
| ----- | | | | | | |
| ----- | | | | | | |

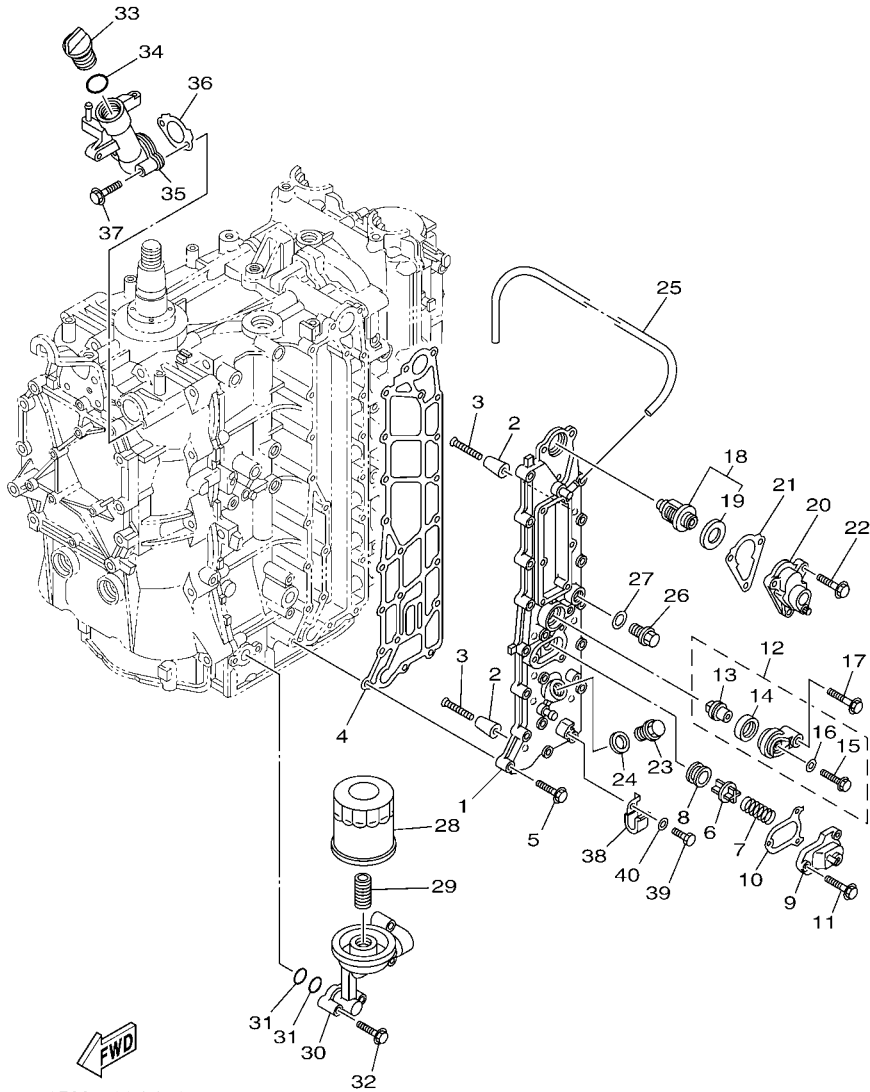


6BM5700-L050

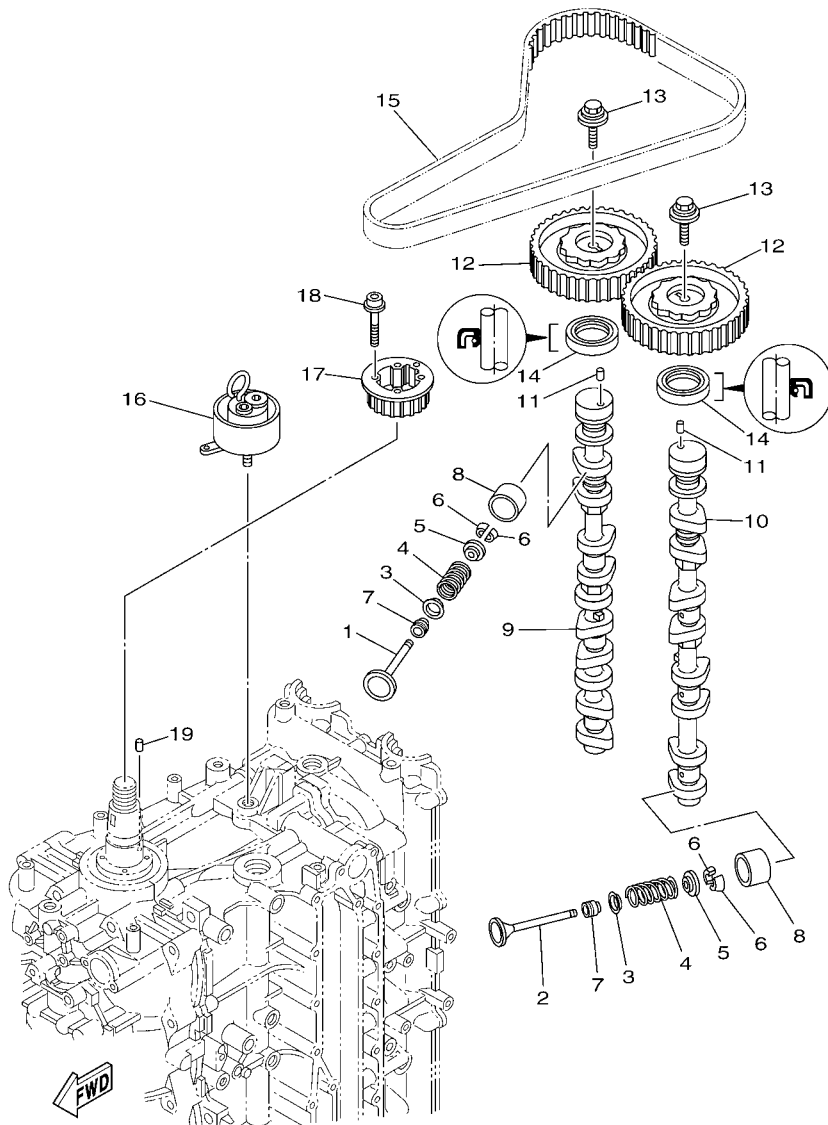
FIG. 6 CYLINDER & CRANKCASE 3 CILINDRO & CARTER 3

| REF. NO. | PART NO. CODIGO Nº | DESCRIPTION DESCRIPCION | 6BM7 | 6BN7 | REMARKS OBSERVACIONES |
|----------|--------------------|--|------|------|-----------------------|
| 1 | 63P-41113-03-9S | OUTER COVER, EXHAUST CUBOERTA EXTERIOR DE ESCAPE | 1 | 1 | |
| 2 | 68T-11325-00 | ANODE ANODO | 8 | 8 | |
| 3 | 90151-05M05 | SCREW, COUNTERSUNK TORNILLO EMBUTIDO | 8 | 8 | |
| 4 | 63P-41114-A2 | GASKET, EXHAUST OUTER COVER EMPAQUE | 1 | 1 | |
| 5 | 90119-06MA4 | BOLT, WITH WASHER TORNILLO CON ARANDELA | 19 | 19 | |
| 6 | 6G5-12416-00 | VALVE, PRESSURE CONTROL VALVULA DE CONTROL DE PRESION | 1 | 1 | |
| 7 | 90501-16M11 | SPRING, COMPRESSION RESORTE DE COMPRESION | 1 | 1 | |
| 8 | 90480-20M05 | GROMMET TAPON | 1 | 1 | |
| 9 | 67F-1246A-01-9S | COVER 1 CUBIERTA 1 | 1 | 1 | |
| 10 | 67F-12435-A0 | GASKET EMPAQUE | 1 | 1 | |
| 11 | 90119-06MA2 | BOLT, WITH WASHER TORNILLO CON ARANDELA | 3 | 3 | |
| 12 | 69J-11301-00 | ANODE COVER ASSY CONJUNTO CUBIERTA DE ANODO | 1 | 1 | |
| 13 | 67F-11325-01 | .ANODE .ANODO | 1 | 1 | |
| 14 | 67F-11328-00 | .GROMMET, ANODE .TAPON | 1 | 1 | |
| 15 | 90105-06M07 | .BOLT, FLANGE .TORNILLO | 1 | 1 | |
| 16 | 90430-06M03 | .GASKET .JUNTA | 1 | 1 | |
| 17 | 97575-08540 | BOLT, WITH WASHER PERNO CON ARANDELA | 1 | 1 | |
| 18 | 67F-12411-01 | THERMOSTAT TERMOSTAT | 1 | 1 | |
| 19 | 67F-12412-00 | .SEAL, THERMOSTAT .SELLO TERMOSTATO | 1 | 1 | |
| 20 | 63P-1240H-01-9S | COVER ASSEMBLY CUBIERTA COPL. | 1 | 1 | |
| 21 | 63P-12414-00 | GASKET, COVER EMPAQUE | 1 | 1 | |
| 22 | 90119-06MA4 | BOLT, WITH WASHER TORNILLO CON ARANDELA | 3 | 3 | |
| 23 | 90340-18M09 | PLUG, STRAIGHT SCREW TORNILLO, DE DRENAJE | 1 | 1 | |
| 24 | 90430-18130 | GASKET JUNTA | 1 | 1 | |
| 25 | 90445-10027 | HOSE (L670) TUBO (L670) | 1 | 1 | |
| 26 | 90340-14M06 | PLUG, STRAIGHT SCREW TORNILLO, DE DRENAJE | 1 | 1 | |
| 27 | 90430-14115 | GASKET JUNTA | 1 | 1 | |

FIG. 6 CYLINDER & CRANKCASE 3 CILINDRO & CARTER 3



| REF. NO. | PART NO. CODIGO N° | DESCRIPTION DESCRIPCION | 6BM7 | 6BN7 | REMARKS OBSERVACIONES |
|----------|--------------------|--|------|------|-----------------------|
| 28 | 69J-13440-03 | ELEMENT ASSY, OIL CLEANER ELEMENTO FILTRO DE ACEITE | 1 | 1 | |
| 29 | 6S5-12858-00 | BOLT, UNION PERNO DE UNION | 1 | 1 | |
| 30 | 63P-13446-00-9S | CONNECTOR CONECTOR | 1 | 1 | |
| 31 | 93210-19MJ1 | O-RING ANILLO O | 2 | 2 | |
| 32 | 97575-06540 | BOLT, WITH WASHER PERNO CON ARANDELA | 4 | 4 | |
| 33 | 6G8-15363-00 | PLUG, OIL TAPON DE ACEITE | 1 | 1 | |
| 34 | 93210-24M79 | O-RING ANILLO O | 1 | 1 | |
| 35 | 63P-15319-00-9S | JOINT CONECTOR | 1 | 1 | |
| 36 | 63P-15364-A0 | GASKET, OIL PLUG EMPAQUE TAPON DE ACEITE | 1 | 1 | |
| 37 | 97595-06545 | BOLT, WITH WASHER PERNO CON ARANDELA | 2 | 2 | |
| 38 | 90462-06013 | CLAMP BRIDA | 1 | 1 | |
| 39 | 97095-06012 | BOLT PERNO | 1 | 1 | |
| 40 | 92995-06600 | WASHER ARANDELA | 1 | 1 | |
| ----- | | | | | |
| ----- | | | | | |
| ----- | | | | | |
| ----- | | | | | |
| ----- | | | | | |

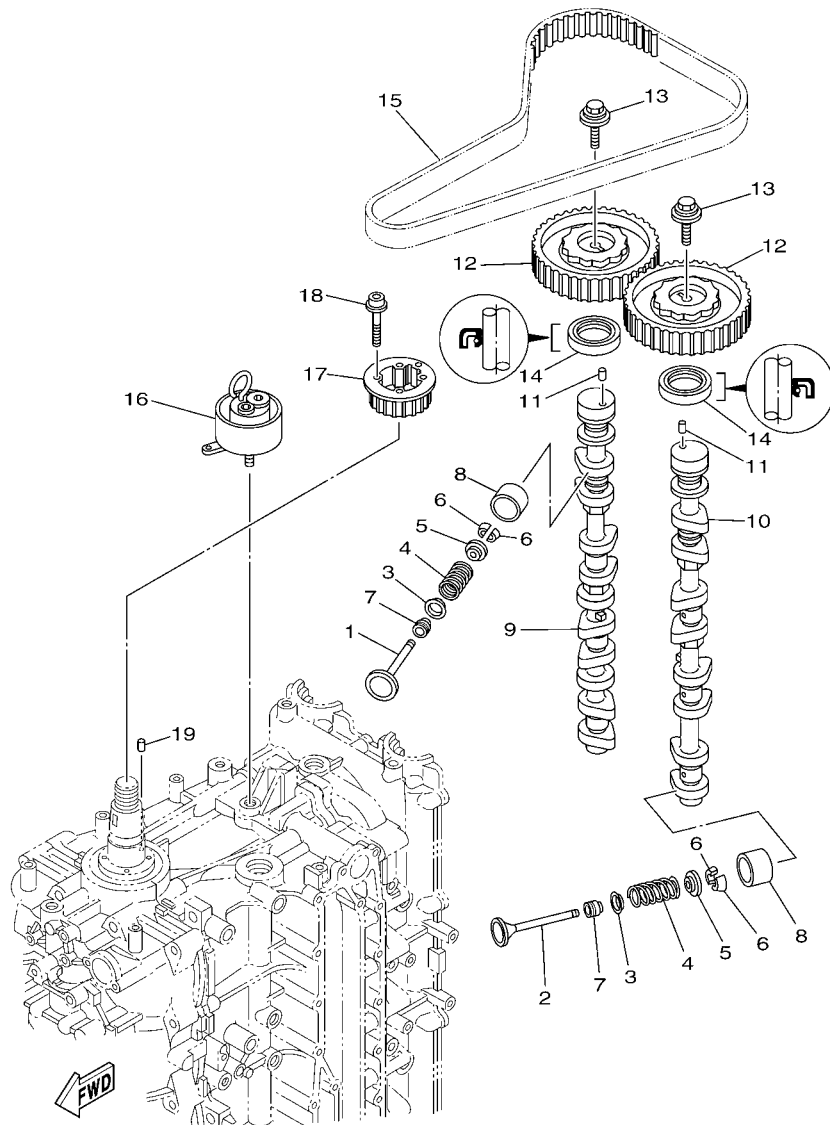


63P9110-L060

FIG. 7 VALVE

VALVULA

| REF. NO. | PART NO. CODIGO Nº | DESCRIPTION DESCRIPCION | GBM7 | GBN7 | REMARKS OBSERVACIONES |
|----------|--------------------|--|------|------|-----------------------|
| 1 | 63P-12111-00 | VALVE, INTAKE VALVULA DE ADMISION | 8 | 8 | |
| 2 | 63P-12121-00 | VALVE, EXHAUST VALVULA DE ESCAPE | 8 | 8 | |
| 3 | K0F-A3743-00 | SEAT, VALVE SPRING ASIENTO RESORTE DE VALVULA | 16 | 16 | |
| 4 | 6CB-12113-00 | SPRING, VALVE INNER RESORTE VALVULA INTERNA | 16 | 16 | |
| 5 | K0F-A3741-00 | RETAINER, VALVE SPRING RETEN RESORTE DE VALVULA | 16 | 16 | |
| 6 | K0F-A3742-00 | LOCK, VALVE SPRING RETAINER SEGURO DE VALVULA | 32 | 32 | |
| 7 | 51Y-12119-00 | SEAL, VALVE STEM SELLO DE ACEITE VALVULA | 16 | 16 | |
| 8 | K0F-A3751-00 | LIFTER, VALVE (3.000) LEVANTADOR DE VALVULA (3.000) | 16 | 16 | UR |
| | K0F-A3751-10 | LIFTER, VALVE (3.025) LEVANTADOR DE VALVULA (3.025) | 16 | 16 | UR |
| | K0F-A3751-20 | LIFTER, VALVE (3.050) LEVANTADOR DE VALVULA (3.050) | 16 | 16 | UR |
| | K0F-A3751-30 | LIFTER, VALVE (3.075) LEVANTADOR DE VALVULA (3.075) | 16 | 16 | UR |
| | K0F-A3751-40 | LIFTER, VALVE (3.100) LEVANTADOR DE VALVULA (3.100) | 16 | 16 | UR |
| | K0F-A3751-50 | LIFTER, VALVE (3.122) LEVANTADOR DE VALVULA (3.122) | 16 | 16 | UR |
| | K0F-A3751-60 | LIFTER, VALVE (3.142) LEVANTADOR DE VALVULA (3.142) | 16 | 16 | UR |
| | K0F-A3751-70 | LIFTER, VALVE (3.162) LEVANTADOR DE VALVULA (3.162) | 16 | 16 | UR |
| | K0F-A3751-80 | LIFTER, VALVE (3.182) LEVANTADOR DE VALVULA (3.182) | 16 | 16 | UR |
| | K0F-A3751-90 | LIFTER, VALVE (3.202) LEVANTADOR DE VALVULA (3.202) | 16 | 16 | UR |
| | K0F-A3751-A0 | LIFTER, VALVE (3.222) LEVANTADOR DE VALVULA (3.222) | 16 | 16 | UR |
| | K0F-A3751-B0 | LIFTER, VALVE (3.242) LEVANTADOR DE VALVULA (3.242) | 16 | 16 | UR |
| | K0F-A3751-C0 | LIFTER, VALVE (3.262) LEVANTADOR DE VALVULA (3.262) | 16 | 16 | UR |
| | K0F-A3751-D0 | LIFTER, VALVE (3.282) LEVANTADOR DE VALVULA (3.282) | 16 | 16 | UR |
| | K0F-A3751-E0 | LIFTER, VALVE (3.302) LEVANTADOR DE VALVULA (3.302) | 16 | 16 | UR |
| | K0F-A3751-F0 | LIFTER, VALVE (3.322) LEVANTADOR DE VALVULA (3.322) | 16 | 16 | UR |
| | K0F-A3751-G0 | LIFTER, VALVE (3.342) LEVANTADOR DE VALVULA (3.342) | 16 | 16 | UR |
| | K0F-A3751-H0 | LIFTER, VALVE (3.362) LEVANTADOR DE VALVULA (3.362) | 16 | 16 | UR |
| | K0F-A3751-J0 | LIFTER, VALVE (3.382) LEVANTADOR DE VALVULA (3.382) | 16 | 16 | UR |
| | K0F-A3751-K0 | LIFTER, VALVE (3.402) LEVANTADOR DE VALVULA (3.402) | 16 | 16 | UR |

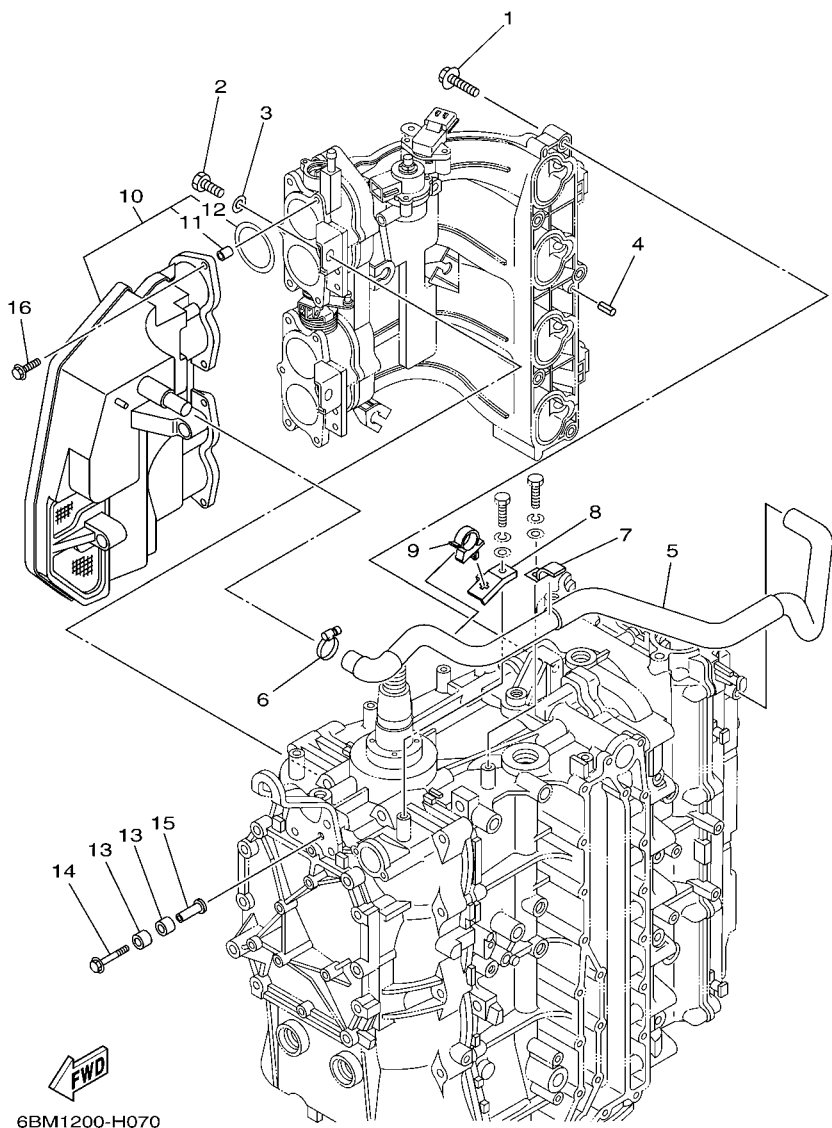


63P9110-L060

FIG. 7 VALVE

VALVULA

| REF. NO. | PART NO. CODIGO Nº | DESCRIPTION DESCRIPCION | GBM7 | GBN7 | REMARKS OBSERVACIONES |
|----------|--------------------|--|------|------|-----------------------|
| 8 | K0F-A3751-L0 | LIFTER, VALVE (3.422) LEVANTADOR DE VALVULA (3.422) | 16 | 16 | UR UR |
| | K0F-A3751-M0 | LIFTER, VALVE (3.442) LEVANTADOR DE VALVULA (3.442) | 16 | 16 | UR UR |
| | K0F-A3751-N0 | LIFTER, VALVE (3.462) LEVANTADOR DE VALVULA (3.462) | 16 | 16 | UR UR |
| | K0F-A3751-P0 | LIFTER, VALVE (3.482) LEVANTADOR DE VALVULA (3.482) | 16 | 16 | UR UR |
| | K0F-A3751-R0 | LIFTER, VALVE (3.502) LEVANTADOR DE VALVULA (3.502) | 16 | 16 | UR UR |
| | K0F-A3751-S0 | LIFTER, VALVE (3.522) LEVANTADOR DE VALVULA (3.522) | 16 | 16 | UR UR |
| | K0F-A3751-T0 | LIFTER, VALVE (3.542) LEVANTADOR DE VALVULA (3.542) | 16 | 16 | UR UR |
| | K0F-A3753-00 | LIFTER, VALVE (3.562) LEVANTADOR DE VALVULA (3.562) | 16 | 16 | UR UR |
| | K0F-A3753-10 | LIFTER, VALVE (3.582) LEVANTADOR DE VALVULA (3.582) | 16 | 16 | UR UR |
| | K0F-A3753-20 | LIFTER, VALVE (3.602) LEVANTADOR DE VALVULA (3.602) | 16 | 16 | UR UR |
| | K0F-A3753-30 | LIFTER, VALVE (3.625) LEVANTADOR DE VALVULA (3.625) | 16 | 16 | UR UR |
| | K0F-A3753-40 | LIFTER, VALVE (3.650) LEVANTADOR DE VALVULA (3.650) | 16 | 16 | UR UR |
| | K0F-A3753-50 | LIFTER, VALVE (3.675) LEVANTADOR DE VALVULA (3.675) | 16 | 16 | UR UR |
| | K0F-A3753-60 | LIFTER, VALVE (3.700) LEVANTADOR DE VALVULA (3.700) | 16 | 16 | UR UR |
| | K0F-A3753-70 | LIFTER, VALVE (3.725) LEVANTADOR DE VALVULA (3.725) | 16 | 16 | UR UR |
| 9 | 63P-12171-10 | CAMSHAFT 1 ARBOL DE LEVAS 1 | 1 | 1 | |
| 10 | 63P-12181-10 | CAMSHAFT 2 ARBOL DE LEVAS 2 | 1 | 1 | |
| 11 | 93605-10108 | PIN, DOWEL PASADOR DE CLAVIJA | 2 | 2 | |
| 12 | 63P-11537-00 | GEAR, DRIVEN ENGRANAJE TRACCION | 2 | 2 | |
| 13 | 90119-10050 | BOLT, WITH WASHER TORNILLO CON ARANDELA | 2 | 2 | |
| 14 | 93102-38008 | OIL SEAL SELLO ACEITE | 2 | 2 | |
| 15 | 63P-46241-00 | BELT CORREA | 1 | 1 | |
| 16 | 63P-11590-01 | TENSIONER ASSY TENSOR COMPLET | 1 | 1 | |
| 17 | 63P-11536-01 | GEAR, DRIVE ENGRANAJE TRACCION | 1 | 1 | |
| 18 | 90110-05020 | BOLT, HEXAGON SOCKET HEAD TORNILLO ALLEN | 4 | 4 | |
| 19 | 93605-17002 | PIN, DOWEL PASADOR DE CLAVIJA | 1 | 1 | |



6BM1200-H070

FIG. 8 INTAKE 1

ADMISION 1

| REF. NO. | PART NO. CODIGO Nº | DESCRIPTION DESCRIPCION | 6BM7 | 6BN7 | | REMARKS OBSERVACIONES |
|----------|--------------------|--|------|------|--|-----------------------|
| 1 | 97575-08540 | BOLT, WITH WASHER PERNO CON ARANDELA | 5 | 5 | | |
| 2 | 97013-08020 | BOLT PERNO | 2 | 2 | | |
| 3 | 92903-08600 | WASHER, PLATE RONDANA SENCILLA | 2 | 2 | | |
| 4 | 91690-50014 | PIN, SPRING PASADOR DE RESORTE | 2 | 2 | | |
| 5 | 6BM-15373-00 | PIPE, BREATHER MANGUELA DE RESPIRADERO | 1 | 1 | | |
| 6 | 90450-22M14 | HOSE CLAMP ASSY BRIDA, MANGUERA | 1 | 1 | | |
| 7 | 90462-10051 | CLAMP BRIDA | 1 | 1 | | |
| 8 | 63P-15378-00 | HOLDER SOPORTE | 1 | 1 | | |
| 9 | 90464-20006 | CLAMP BRIDA | 1 | 1 | | |
| 10 | 63P-14440-00 | SILENCER ASSY, INTAKE SILENCIADOR COMPL DE ADMISION | 1 | 1 | | |
| 11 | 63P-14449-00 | .COLLAR .COLLAR | 6 | 6 | | |
| 12 | 63P-14457-00 | .SEAL .SELLO | 4 | 4 | | |
| 13 | 90386-08005 | BUSH BUJE | 4 | 4 | | |
| 14 | 90119-06076 | BOLT, WITH WASHER TORNILLO CON ARANDELA | 2 | 2 | | |
| 15 | 90387-06280 | COLLAR ESPACIADOR | 2 | 2 | | |
| 16 | 90119-06M82 | BOLT, WITH WASHER TORNILLO CON ARANDELA | 6 | 6 | | |
| | | | | | | |
| | | | | | | |
| | | | | | | |
| | | | | | | |

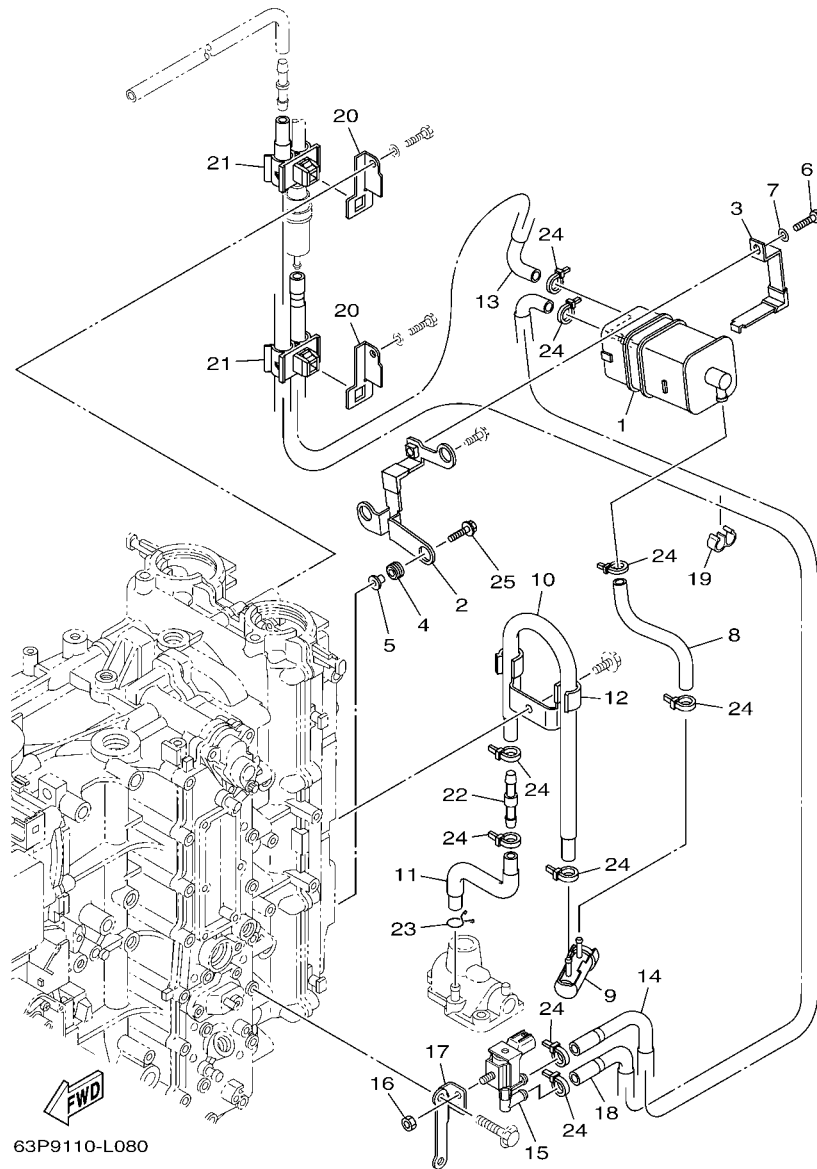


FIG. 9 INTAKE 2

ADMISION 2

| REF. NO. | PART NO. CODIGO Nº | DESCRIPTION DESCRIPCION | 6BM7 | 6BN7 | REMARKS OBSERVACIONES |
|----------|--------------------|---|------|------|-----------------------|
| 1 | 6P2-24170-00 | CANISTER ASSY FRANJA DE DEPOSITO DE COMBUST. | 1 | 1 | |
| 2 | 63P-2134X-00 | BRACKET, CANISTER SOPORTE | 1 | 1 | |
| 3 | 63P-2419A-01 | HOLDER SOSTEN | 1 | 1 | |
| 4 | 90480-10M23 | GROMMET TAPON | 3 | 3 | |
| 5 | 90387-06289 | COLLAR ESPACIADOR | 3 | 3 | |
| 6 | 97095-06016 | BOLT PERNO | 1 | 1 | |
| 7 | 92995-06600 | WASHER ARANDELA | 1 | 1 | |
| 8 | 64P-24313-00 | PIPE 3 TUBO 3 | 1 | 1 | |
| 9 | 69J-24502-00 | FILTER, FUEL FILTRO | 1 | 1 | |
| 10 | 64P-24312-00 | PIPE 2 TUBO 2 | 1 | 1 | |
| 11 | 64P-24311-00 | PIPE, FUEL 1 TUBO DE COMBUSTIBLE 1 | 1 | 1 | |
| 12 | 63P-24367-01 | CLAMP, FUEL PIPE 2 GRAMPA DE TUBO DE COMBUST.2 | 1 | 1 | |
| 13 | 64P-24315-00 | PIPE 5 TUBO DE DESAGUE | 1 | 1 | |
| 14 | 64P-24316-00 | PIPE 6 TUBO 6 | 1 | 1 | |
| 15 | 6C5-86120-00 | SOLENOID VALVE ASSY VALVULA SOLENOIDE CONJ. | 1 | 1 | |
| 16 | 95380-06600 | NUT, HEXAGON TUERCA | 1 | 1 | |
| 17 | 63P-81845-10 | PLATE PLACA | 1 | 1 | |
| 18 | 64P-24314-10 | PIPE 4 TUBO 4 | 1 | 1 | |
| 19 | 90464-09M31 | CLAMP BRIDA | 1 | 1 | |
| 20 | 63P-24364-01 | STAY SOPORTE | 2 | 2 | |
| 21 | 90464-11012 | CLAMP BRIDA | 2 | 2 | |
| 22 | 6E5-24379-00 | PIPE, JOINT 4 TUBO DE UNION 4 | 1 | 1 | |
| 23 | 90467-09M09 | CLIP PRESILLA | 1 | 1 | |
| 24 | 90465-11M10 | CLAMP BRIDA | 9 | 9 | |
| 25 | 90119-06135 | BOLT, WITH WASHER TORNILLO CON ARANDELA | 2 | 2 | |

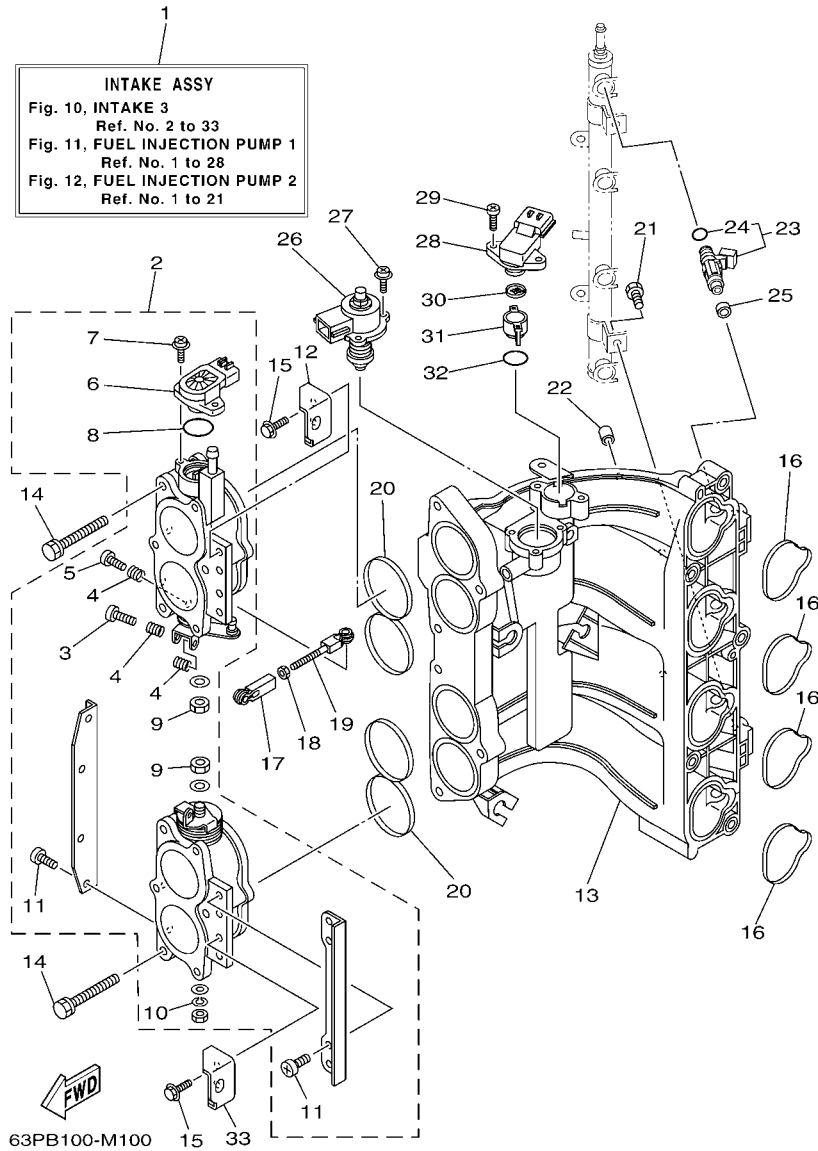


FIG. 10 INTAKE 3

ADMISION 3

| REF. NO. | PART NO. CODIGO Nº | DESCRIPTION DESCRIPCION | 6BM7 | 6BN7 | REMARKS OBSERVACIONES |
|----------|--------------------|--|------|------|-----------------------|
| 1 | 63P-14200-23 | INTAKE ASSY ADMISION COMPL. | 1 | 1 | EXCEPT FOR CAR |
| | 63P-14200-41 | INTAKE ASSY ADMISION COMPL. | 1 | 1 | EXCEPT FOR CAR |
| 2 | 63P-13751-01 | BODY, THROTTLE 1 CAJA 1 | 1 | 1 | FOR CAR |
| 3 | 69J-14321-00 | .SCREW, THROTTLE .TORNILLO DE OBTURADOR | 1 | 1 | |
| 4 | 68V-14331-00 | .SPRING, THROTTLE VALVE .RESORTE VALVULA ACELERADOR | 3 | 3 | |
| 5 | 68V-14323-00 | .SCREW, AIR ADJUSTING .TORNILLO DE AJUSTE DE AIRE | 1 | 1 | |
| 6 | 6S1-85885-00 | .THROTTLE SENSOR ASSY .TERMICA SENSORIO | 1 | 1 | |
| 7 | 68V-81145-01 | .SCREW 1 .TORNILLO 1 | 2 | 2 | |
| 8 | 68V-8182L-00 | .O-RING 1 .ANILLO EN O | 1 | 1 | |
| 9 | 3CF-14594-00 | .NUT .TUERCA | 2 | 2 | |
| 10 | 68V-14356-00 | .WASHER, SPRING .ARANDELA DE RESORTE | 1 | 1 | |
| 11 | 68V-14565-00 | .SCREW .TORNILLO | 8 | 8 | |
| 12 | 63P-14291-00 | BRACKET 1 SOPORTE 1 | 1 | 1 | |
| 13 | 63P-13641-00 | MANIFOLD, INTAKE 1 CONECTOR DE ADMISION 1 | 1 | 1 | |
| 14 | 63P-14496-00 | BOLT PERNO | 6 | 6 | |
| 15 | 97595-06516 | BOLT, WITH WASHER PERNO CON ARANDELA | 4 | 4 | |
| 16 | 63P-13645-00 | GASKET, MANIFOLD 1 EMPAQUE | 4 | 4 | |
| 17 | 6H4-41237-00 | JOINT, LINK CONECTOR | 1 | 1 | |
| 18 | 95380-05700 | NUT TUERCA | 1 | 1 | |
| 19 | 682-41238-01 | JOINT, LINK CONECTOR | 1 | 1 | |
| 20 | 63P-13557-00 | GASKET EMPAQUE | 2 | 2 | |
| 21 | 63P-14446-00 | BOLT PERNO | 2 | 2 | |
| 22 | 63P-13643-00 | COVER, MANIFOLD CUBIERTA DE COLECTOR | 4 | 4 | |
| 23 | 63P-13761-01 | INJECTOR INYECTOR | 4 | 4 | |
| 24 | 68V-1416A-00 | .O-RING .ANILLO O | 1 | 1 | |
| 25 | 68V-13766-00 | RUBBER, INJECTOR ANILLO PROTECTOR | 4 | 4 | |
| 26 | 63P-1312A-01 | VALVE, CONTROL EMBLEMA, YAMAHA | 1 | 1 | |

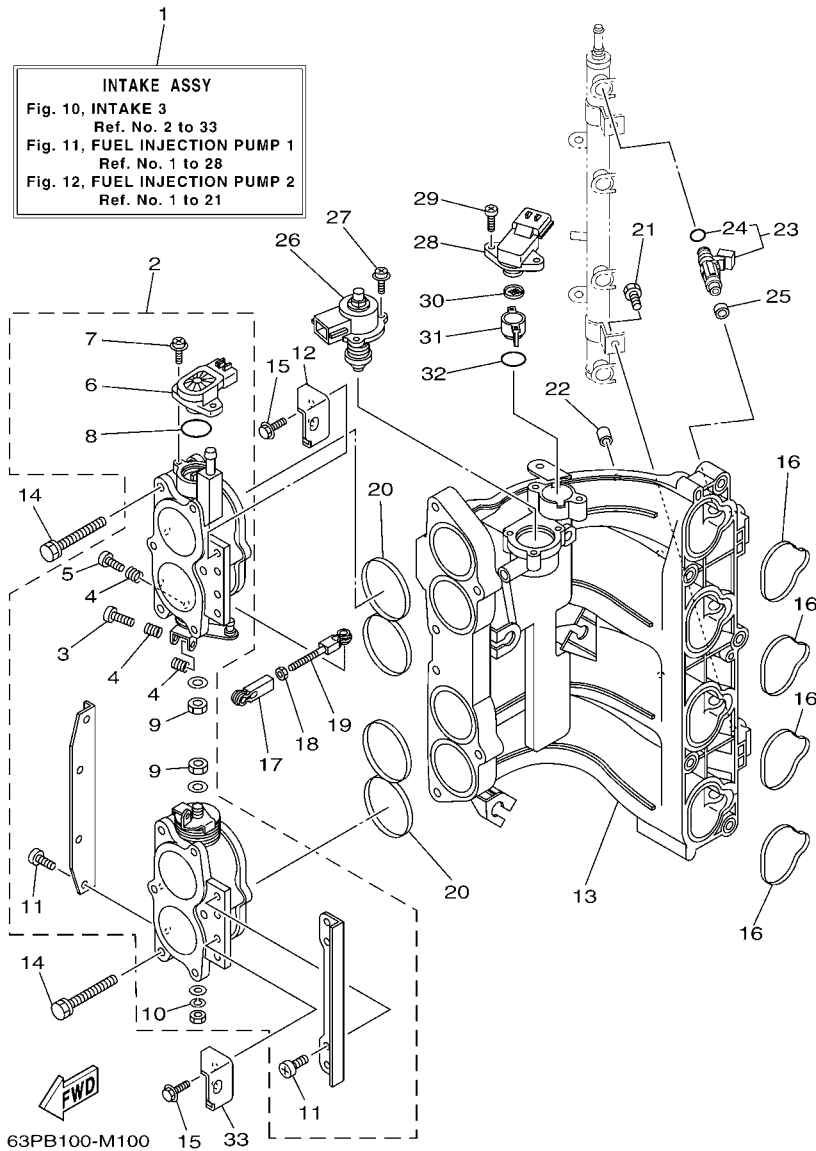


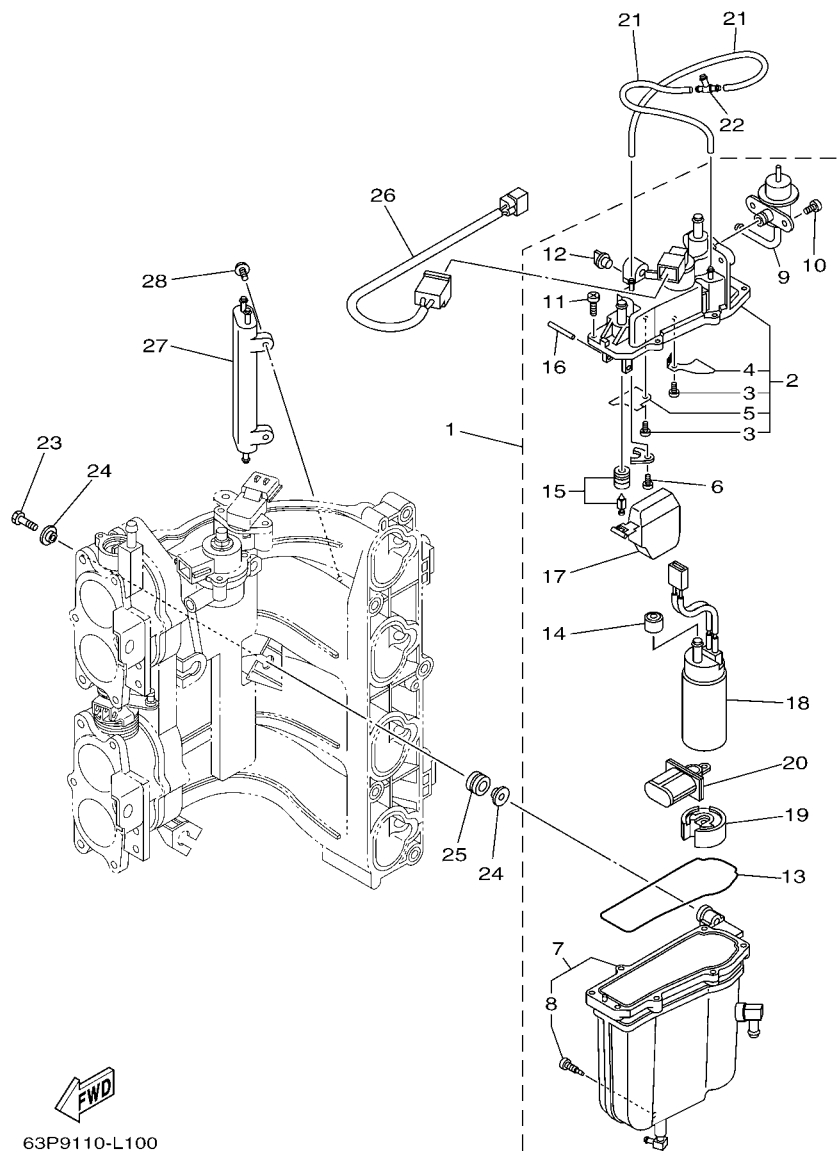
FIG. 10 INTAKE 3

ADMISION 3

| REF. NO. | PART NO. CODIGO Nº | DESCRIPTION DESCRIPCION | 6BM7 | 6BN7 | | REMARKS OBSERVACIONES |
|----------|--------------------|---------------------------------------|------|------|--|-----------------------|
| 27 | 68V-81146-01 | SCREW 2 TORNILLO 2 | 3 | 3 | | |
| 28 | 63P-82380-00 | SENSOR, PRESSURE SENSOR DE PRESION | 1 | 1 | | |
| 29 | 68V-81147-00 | SCREW 3 TORNILLO 3 | 2 | 2 | | |
| 30 | 63P-13905-00 | FILTER COMP. FILTRO COMPLETO | 1 | 1 | | |
| 31 | 63P-13898-00 | HOLDER SOSTEN | 1 | 1 | | |
| 32 | 63P-13769-00 | O-RING ANILLO O | 1 | 1 | | |
| 33 | 63P-14292-00 | BRACKET 2 SOPORTE 2 | 1 | 1 | | |
| | | | | | | |
| | | | | | | |
| | | | | | | |
| | | | | | | |
| | | | | | | |
| | | | | | | |
| | | | | | | |
| | | | | | | |
| | | | | | | |
| | | | | | | |
| | | | | | | |

FIG. 11 FUEL INJECTION PUMP 1

BOMBA DE INYECTOR 1



63P9110-L100

| REF. NO. | PART NO. CODIGO Nº | DESCRIPTION DESCRIPCION | 6BM7 | 6BN7 | | REMARKS OBSERVACIONES |
|----------|--------------------|---|------|------|--|-----------------------|
| 1 | 63P-14180-02 | FLOAT CHAMBER ASSY CAMARA DE BOIA COMPLETE | 1 | 1 | | |
| 2 | 63P-14182-00 | .COVER, FLOAT CHAMBER .TAPA DE CAMARA DE BOIA | 1 | 1 | | |
| 3 | 4SV-24453-00 | ..SCREW ..TORNILLO | 2 | 2 | | |
| 4 | 63P-2411R-00 | ..PLATE 1 ..PLACA 1 | 1 | 1 | | |
| 5 | 63P-2411T-00 | ..PLATE 2 ..PLACA 2 | 1 | 1 | | |
| 6 | 4SV-24453-00 | ..SCREW ..TORNILLO | 1 | 1 | | |
| 7 | 63P-14181-00 | .BODY, FLOAT CHAMBER 1 .CUERPO DE CAMARA DE BOIA | 1 | 1 | | |
| 8 | 63P-14191-00 | ..PLUG, DRAIN ..TORNILLO, DE DRENAJE | 1 | 1 | | |
| 9 | 63P-13906-00 | .REGULATOR, PRESSURE .REGULADOR | 1 | 1 | | |
| 10 | 63P-14565-00 | .SCREW ..TORNILLO | 2 | 2 | | |
| 11 | 63P-14567-00 | .SCREW ..TORNILLO | 7 | 7 | | |
| 12 | 69J-14225-01 | .CAP ..TAPA | 1 | 1 | | |
| 13 | 63P-14984-00 | .GASKET, FLOAT CHAMBER .EMPAQUE CAMARA DE BOIA | 1 | 1 | | |
| 14 | 68V-13781-20 | .GROMMET & COLLAR SET .TOPON Y COLLAR | 1 | 1 | | |
| 15 | 63P-14546-00 | .VALVE, NEEDLE ..VALVULA DE AGUJA | 1 | 1 | | |
| 16 | 68V-14386-00 | .PIN, FLOAT ..PASADOR DE BOIA | 1 | 1 | | |
| 17 | 63P-14985-00 | .FLOAT ..BOIA | 1 | 1 | | |
| 18 | 63P-13907-03 | .FUEL PUMP COMP. ..BOMBA DE COMBUSTIBLE COMPLETA | 1 | 1 | | |
| 19 | 63P-13784-00 | .COVER, PUMP ..CUBIERTA DE BOMBA | 1 | 1 | | |
| 20 | 63P-13915-00 | .FILTER ..FILTRO | 1 | 1 | | |
| 21 | 63P-14148-00 | PIPE TUBO | 2 | 2 | | |
| 22 | 69J-24379-00 | PIPE, JOINT 4 TUBO DE UNION 4 | 1 | 1 | | |
| 23 | 63P-14777-00 | BOLT PERNO | 3 | 3 | | |
| 24 | 69J-13716-00 | COLLAR COLLAR | 6 | 6 | | |
| 25 | 6BM-13593-00 | DAMPER COJINETE DE RODILLOS | 3 | 3 | | |
| 26 | 63P-8259L-00 | WIRE HARNESS ASSY 1 CONJUNTO DE CABLES 1 | 1 | 1 | | |
| 27 | 69J-21841-02 | COOLER ENFRIADOR | 1 | 1 | | |

FIG. 11 FUEL INJECTION PUMP 1

BOMBA DE INYECTOR 1

| REF. NO. | PART NO. CODIGO Nº | DESCRIPTION DESCRIPCION | 6BM7 | 6BN7 | | | | REMARKS OBSERVACIONES |
|----------|--------------------|-------------------------|------|------|--|--|--|-----------------------|
| 28 | 68V-14446-00 | BOLT PERNO | 2 | 2 | | | | |
| ----- | | | | | | | | |
| ----- | | | | | | | | |
| ----- | | | | | | | | |
| ----- | | | | | | | | |
| ----- | | | | | | | | |
| ----- | | | | | | | | |
| ----- | | | | | | | | |
| ----- | | | | | | | | |
| ----- | | | | | | | | |
| ----- | | | | | | | | |
| ----- | | | | | | | | |
| ----- | | | | | | | | |

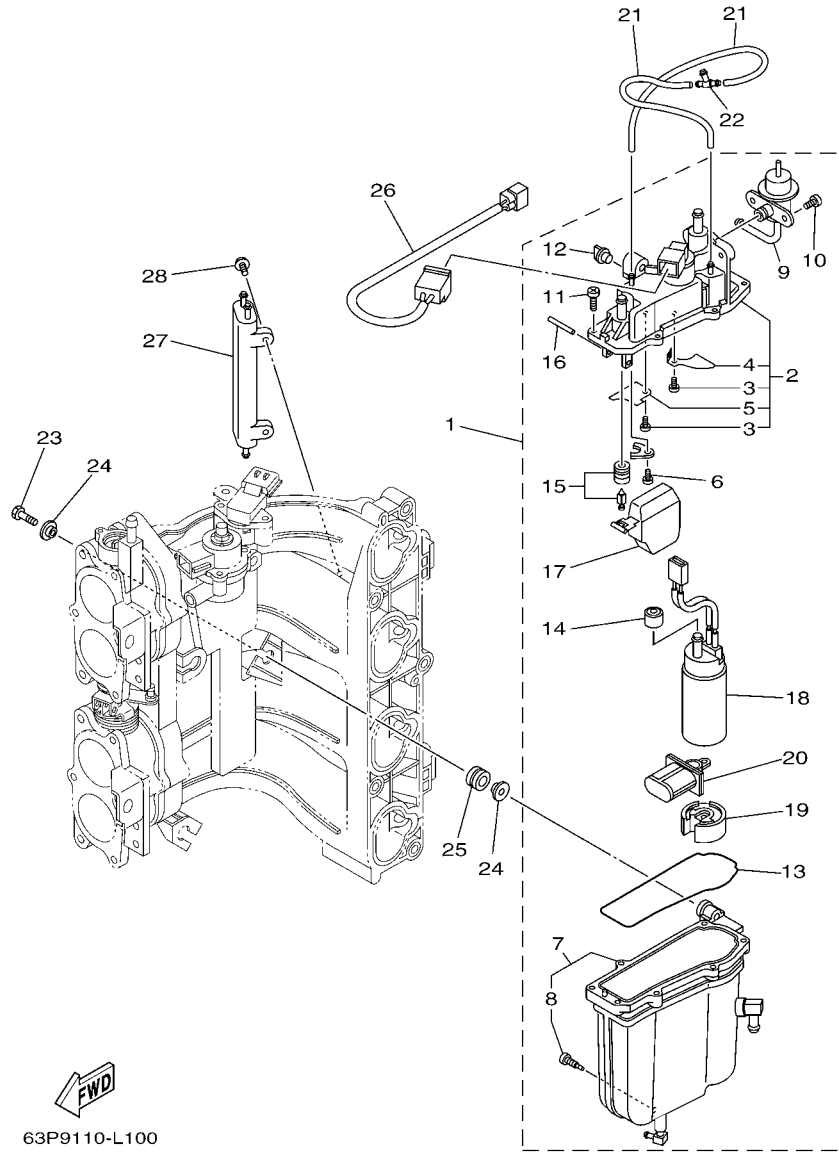
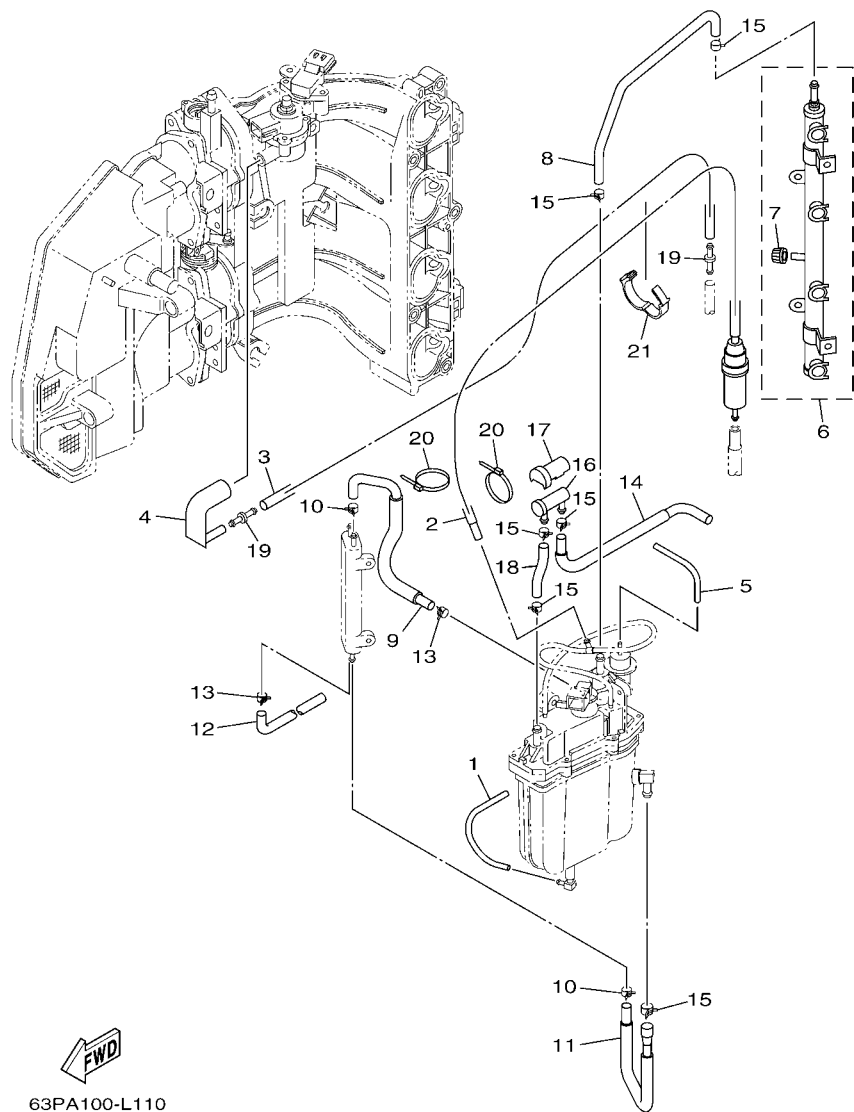


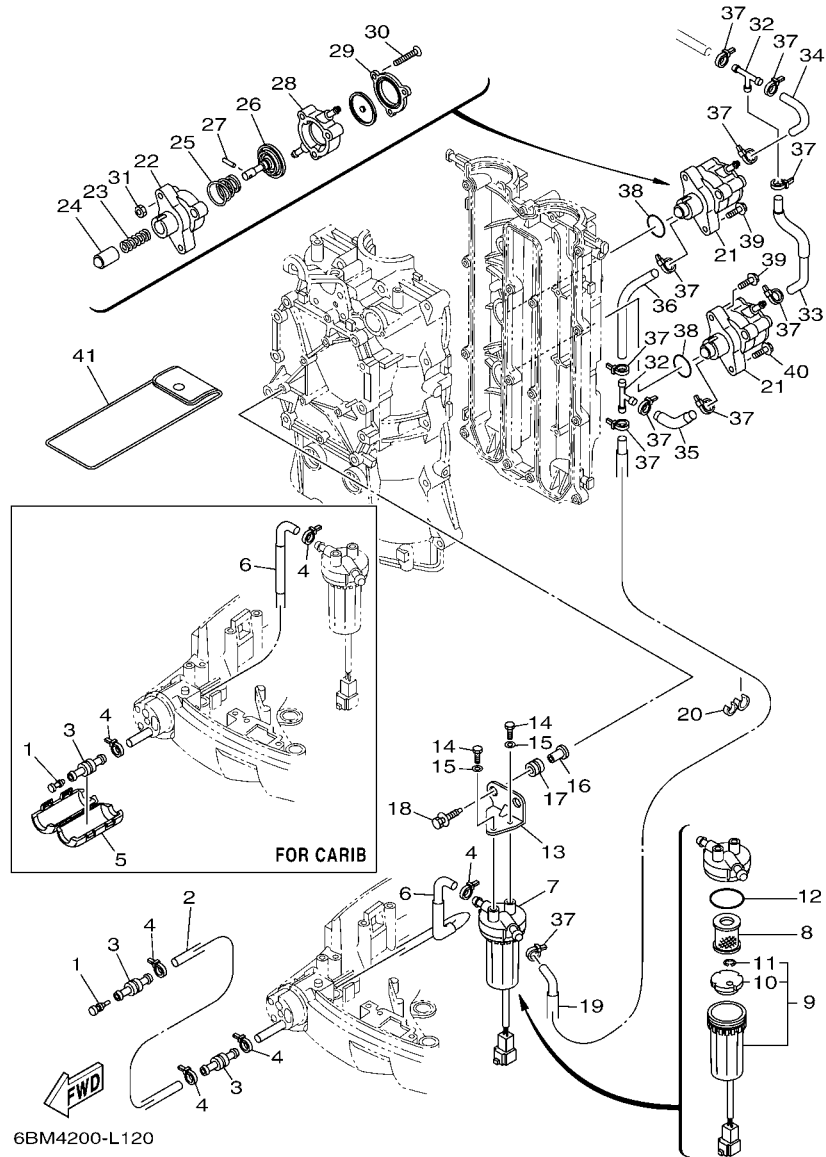
FIG. 12 FUEL INJECTION PUMP 2

BOMBA DE INYECTOR 2



63PA100-L110

| REF. NO. | PART NO. CODIGO Nº | DESCRIPTION DESCRIPCION | 6BM7 | 6BN7 | REMARKS OBSERVACIONES |
|----------|--------------------|---|------|------|-------------------------------|
| 1 | 63P-14149-00 | PIPE TUBO | 1 | 1 | |
| 2 | 63P-13971-00 | PIPE, FUEL 1 ANILLO DE ESPACIADOR | 1 | 1 | WITH FILTER WITH FILTER |
| 3 | 63P-13546-00 | HOSE 2 SELLO | 1 | 1 | |
| 4 | 63P-13545-00 | HOSE 1 SELLO | 1 | 1 | |
| 5 | 63P-13532-10 | HOSE, VACUUM SENSING 3 MANGUERA, DE VACIO 3 | 1 | 1 | |
| 6 | 63P-13160-00 | DELIVERY PIPE ASSY 1 TUBO DE LLEGADA CONJUNTO 1 | 1 | 1 | |
| 7 | 63P-14225-00 | .CAP .TAPA | 1 | 1 | |
| 8 | 63P-13974-20 | PIPE, FUEL 4 TUBO, COMBUSTIBLE 4 | 1 | 1 | EXCEPT FOR CAR EXCEPT FOR CAR |
| | 63P-13974-30 | PIPE, FUEL 4 TUBO, COMBUSTIBLE 4 | 1 | 1 | FOR CAR FOR CAR |
| 9 | 63P-13976-00 | PIPE, FUEL 6 TUBO, COMBUSTIBLE 6 | 1 | 1 | EXCEPT FOR CAR EXCEPT FOR CAR |
| | 63P-13976-30 | PIPE, FUEL 6 TUBO, COMBUSTIBLE 6 | 1 | 1 | FOR CAR FOR CAR |
| 10 | 68V-2411M-00 | CLIP PRESILLA | 2 | 2 | |
| 11 | 63P-24317-00 | PIPE 7 TUBO 7 | 1 | 1 | EXCEPT FOR CAR EXCEPT FOR CAR |
| | 63P-24317-20 | PIPE 7 TUBO 7 | 1 | 1 | FOR CAR FOR CAR |
| 12 | 63P-2247B-00 | HOSE 2 TUBO 2 | 1 | 1 | |
| 13 | 68V-24519-00 | CLIP PRESILLA | 2 | 2 | |
| 14 | 63P-24325-00 | PIPE 14 TUBO 14 | 1 | 1 | EXCEPT FOR CAR EXCEPT FOR CAR |
| | 63P-24325-30 | PIPE 14 TUBO 14 | 1 | 1 | FOR CAR FOR CAR |
| 15 | 68V-13577-00 | CLIP PRESILLA | 6 | 6 | |
| 16 | 69J-24501-10 | FILTER, FUEL FIELTRO | 1 | 1 | |
| 17 | 69J-24599-10 | CAP SELLO TAPA | 1 | 1 | |
| 18 | 63P-13975-00 | PIPE, FUEL 5 TUBO, COMBUSTIBLE 5 | 1 | 1 | EXCEPT FOR CAR EXCEPT FOR CAR |
| | 63P-13975-30 | PIPE, FUEL 5 TUBO, COMBUSTIBLE 5 | 1 | 1 | FOR CAR FOR CAR |
| 19 | 6P2-13758-00 | PIPE, JOINT TUBO DE JUNTA | 2 | 2 | |
| 20 | 68V-2481H-00 | CLAMP GRAMPA | 2 | 2 | |
| 21 | 90464-26001 | CLAMP BRIDA | 1 | 1 | |



6BM4200-L120

FIG. 13 FUEL 1

COMBUSTIBLE 1

| REF. NO. | PART NO. CODIGO Nº | DESCRIPTION DESCRIPCION | 6BM7 | 6BN7 | REMARKS OBSERVACIONES |
|----------|--------------------|---|------|------|----------------------------------|
| 1 | 689-85547-00 | DAMPER AMORTIGUADOR | 1 | 1 | |
| 2 | 90445-13511 | HOSE (L2000) TUBO (L2000) | 1 | 1 | EXCEPT FOR CAR EXCEPT FOR CAR |
| 3 | 6R3-24377-10 | PIPE, JOINT 2 TUBO DE UNION 2 | 2 | 2 | EXCEPT FOR CAR EXCEPT FOR CAR |
| | 6R3-24377-10 | PIPE, JOINT 2 TUBO DE UNION 2 | 1 | 1 | FOR CAR FOR CAR |
| 4 | 90465-11M10 | CLAMP BRIDA | 4 | 4 | EXCEPT FOR CAR EXCEPT FOR CAR |
| | 90465-11M10 | CLAMP BRIDA | 2 | 2 | FOR CAR FOR CAR |
| 5 | 68V-24452-00 | COVER CUBIERTA | 1 | 1 | FOR CAR FOR CAR |
| 6 | 63P-24316-00 | PIPE 6 TUBO 6 | 1 | 1 | EXCEPT FOR CAR EXCEPT FOR CAR |
| | 63P-24316-21 | PIPE 6 TUBO 6 | 1 | 1 | FOR CAR FOR CAR |
| 7 | 6P3-24560-03 | FILTER ASSY FILTRO COMPLETO | 1 | 1 | |
| 8 | 6P3-24563-01 | .ELEMENT, FILTER .ELEMENTO DEL FILTRO | 1 | 1 | |
| 9 | 6P3-24562-03 | .CUP, FILTER .COPA DE FILTRO | 1 | 1 | |
| 10 | 6P3-24469-00 | ..FLOAT, WATER LEVEL ..BOIA | 1 | 1 | |
| 11 | 6P3-24519-00 | ..CLIP ..PRESILLA | 1 | 1 | |
| 12 | 6P3-24564-00 | .GASKET .EMPAQUE | 1 | 1 | |
| 13 | 63P-24566-00 | BRACKET, FILTER SOPORTE DEL FILTRO | 1 | 1 | |
| 14 | 97095-06014 | BOLT PERNO | 2 | 2 | |
| 15 | 92995-06600 | WASHER ARANDELA | 2 | 2 | |
| 16 | 90387-06289 | COLLAR ESPACIADOR | 2 | 2 | |
| 17 | 90480-10M23 | GROMMET TAPON | 2 | 2 | |
| 18 | 90119-06071 | BOLT, WITH WASHER TORNILLO CON ARANDELA | 2 | 2 | |
| 19 | 63P-24311-30 | PIPE, FUEL 1 TUBO DE COMBUSTIBLE 1 | 1 | 1 | EXCEPT FOR CAR EXCEPT FOR CAR |
| | 63P-24311-20 | PIPE, FUEL 1 TUBO DE COMBUSTIBLE 1 | 1 | 1 | FOR CAR FOR CAR |
| 20 | 90464-13M34 | CLAMP BRIDA | 1 | 1 | |
| 21 | 63P-24410-10 | FUEL PUMP ASSY BOMBA DE COMBUSTIBLE COMPLETA | 2 | 2 | |
| 22 | 68V-24412-00 | .BODY 1 .CUERPO 1 | 1 | 1 | |
| 23 | 68V-24454-00 | .SPRING .RESORTE | 1 | 1 | |

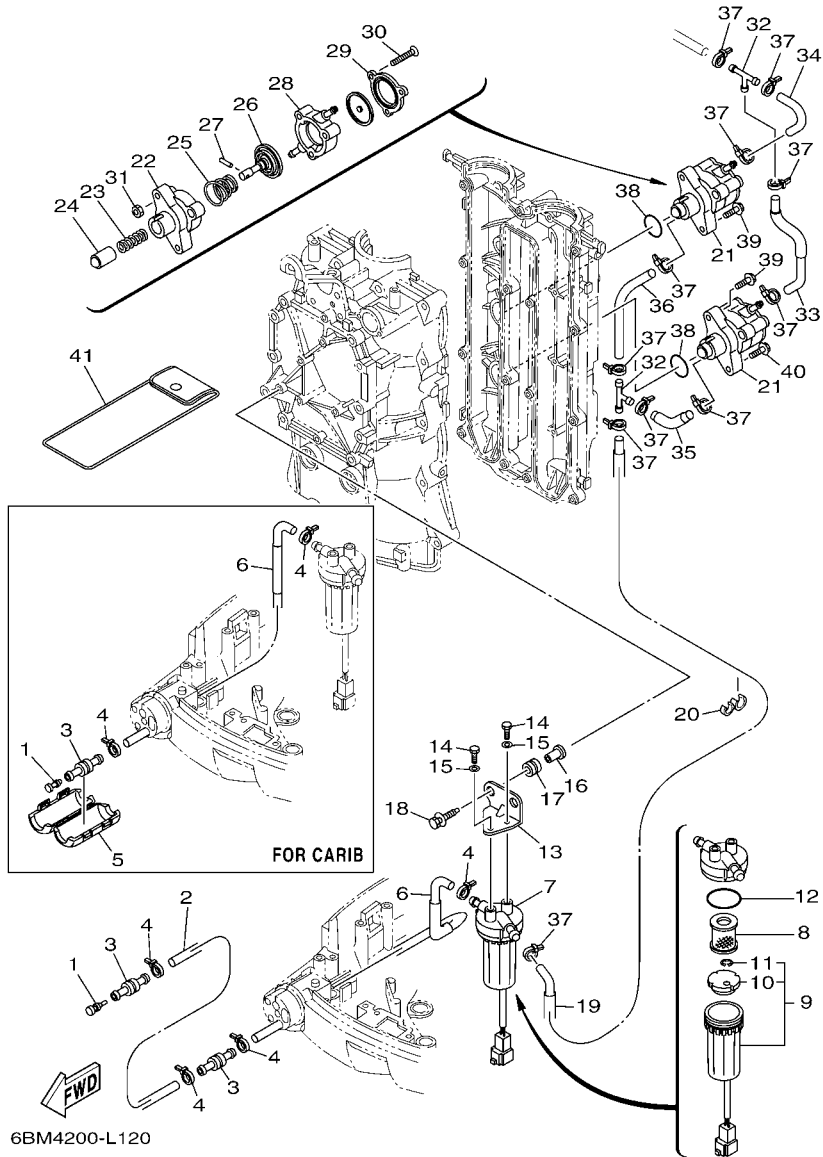
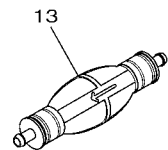
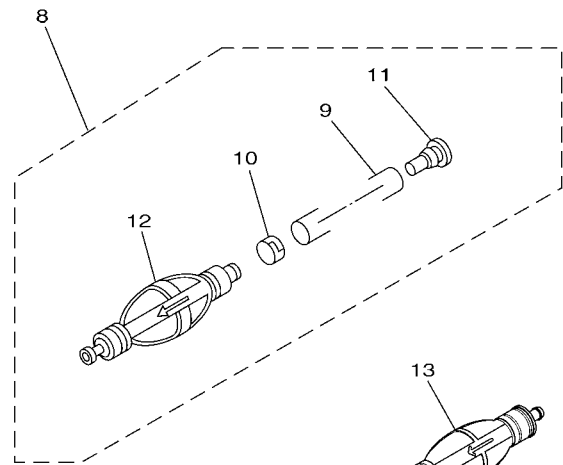
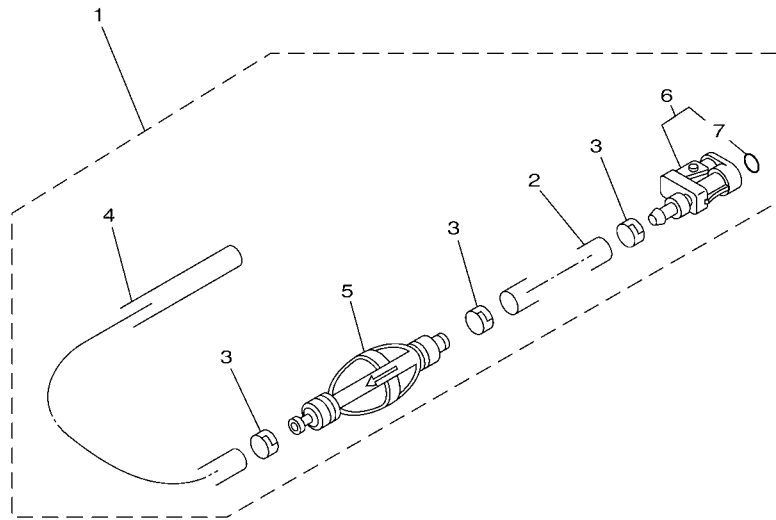


FIG. 13 FUEL 1

COMBUSTIBLE 1

| REF. NO. | PART NO. CODIGO Nº | DESCRIPTION DESCRIPCION | 6BM7 | 6BN7 | REMARKS OBSERVACIONES |
|----------|--------------------|---|------|------|----------------------------------|
| 24 | 63P-13131-00 | .PLUNGER .ESPACIADOR | 1 | 1 | |
| 25 | 63P-24423-00 | .SPRING, DIAPHRAGM .RESORTE DE DIAFRAGMA | 1 | 1 | |
| 26 | 68V-24411-00 | .DIAPHRAGM .DIAFRAGMA | 1 | 1 | |
| 27 | 68V-24374-00 | .PIN .PASADOR | 1 | 1 | |
| 28 | 68V-24413-10 | .BODY 2 .CUERPO 2 | 1 | 1 | |
| 29 | 63P-24414-00 | .BODY 3 .CUERPO 3 | 1 | 1 | |
| 30 | 68V-24444-00 | .SCREW .TORNILLO | 3 | 3 | |
| 31 | 68V-24149-00 | .NUT .TUERCA | 3 | 3 | |
| 32 | 6E5-24378-00 | PIPE, JOINT 3 TUBO DE UNION 3 | 2 | 2 | |
| 33 | 6BM-24314-00 | PIPE 4 TUBO 4 | 1 | 1 | EXCEPT FOR CAR EXCEPT FOR CAR |
| | 63P-24314-10 | PIPE 4 TUBO 4 | 1 | 1 | FOR CAR FOR CAR |
| 34 | 63P-24315-00 | PIPE 5 TUBO DE DESAGUE | 1 | 1 | EXCEPT FOR CAR EXCEPT FOR CAR |
| | 63P-24315-10 | PIPE 5 TUBO DE DESAGUE | 1 | 1 | FOR CAR FOR CAR |
| 35 | 63P-24312-10 | PIPE 2 TUBO 2 | 1 | 1 | EXCEPT FOR CAR EXCEPT FOR CAR |
| | 63P-24312-20 | PIPE 2 TUBO 2 | 1 | 1 | FOR CAR FOR CAR |
| 36 | 63P-24313-10 | PIPE 3 TUBO 3 | 1 | 1 | EXCEPT FOR CAR EXCEPT FOR CAR |
| | 63P-24313-20 | PIPE 3 TUBO 3 | 1 | 1 | FOR CAR FOR CAR |
| 37 | 90465-11M10 | CLAMP BRIDA | 11 | 11 | |
| 38 | 93210-30682 | O-RING ANILLO O | 2 | 2 | |
| 39 | 90119-06M83 | BOLT, WITH WASHER TORNILLO CON ARANDELA | 3 | 3 | |
| 40 | 90119-06135 | BOLT, WITH WASHER TORNILLO CON ARANDELA | 1 | 1 | |
| 41 | 67F-28100-01 | TOOL KIT JUEGO DE HERRAMIENTAS | 1 | 1 | UR UR UR UR |
| | 67F-28100-10 | TOOL KIT JUEGO DE HERRAMIENTAS | 1 | 1 | |



6BM4200-L130

FIG. 14 FUEL 2

COMBUSTIBLE 2

| REF. NO. | PART NO. CODIGO Nº | DESCRIPTION DESCRIPCION | 6BM7 | 6BN7 | REMARKS OBSERVACIONES |
|----------|--------------------|---|------|------|--|
| 1 | 6Y2-24306-45 | FUEL PIPE COMP. 1 TUBO COMBUST. COMPL 1 | 1 | | AP FOR CHN AP FOR CHN |
| 2 | 90445-13M01 | .HOSE (L2050) .MANGUERA (L2050) | 1 | | |
| 3 | 6E5-24351-51 | .BAND 1 .ABRAZADERA 1 | 3 | | |
| 4 | 90445-13M35 | .HOSE (L250) .MANGUERA (L250) | 1 | | |
| 5 | 6Y2-24360-60 | .PRIMER PUMP ASSY .SOPORTE BOMBA | 1 | | |
| 6 | 6Y2-24305-06 | .FUEL PIPE JOINT COMP. 2 .CONECTOR MANGUERA COMBUST. 2 | 1 | | |
| 7 | 93210-08287 | ..O-RING ..ANILLO O | 1 | | |
| 8 | 6Y2-24307-50 | FUEL PIPE COMP. 2 MANGUERA COMPL, COMBUSTIBLE 2 | 1 | 1 | AP EXCEPT CHN,CAR AP EXCEPT CHN,CAR |
| 9 | 90445-13M01 | .HOSE (L2050) .MANGUERA (L2050) | 1 | 1 | |
| 10 | 6E5-24351-51 | .BAND 1 .ABRAZADERA 1 | 1 | 1 | |
| 11 | 90480-06M19 | .GROMMET .TAPON | 1 | 1 | |
| 12 | 6Y2-24360-60 | .PRIMER PUMP ASSY .SOPORTE BOMBA | 1 | 1 | |
| 13 | 6YK-24360-73 | PRIMER PUMP ASSY SOPORTE BOMBA | 1 | 1 | AP FOR CAR AP FOR CAR |

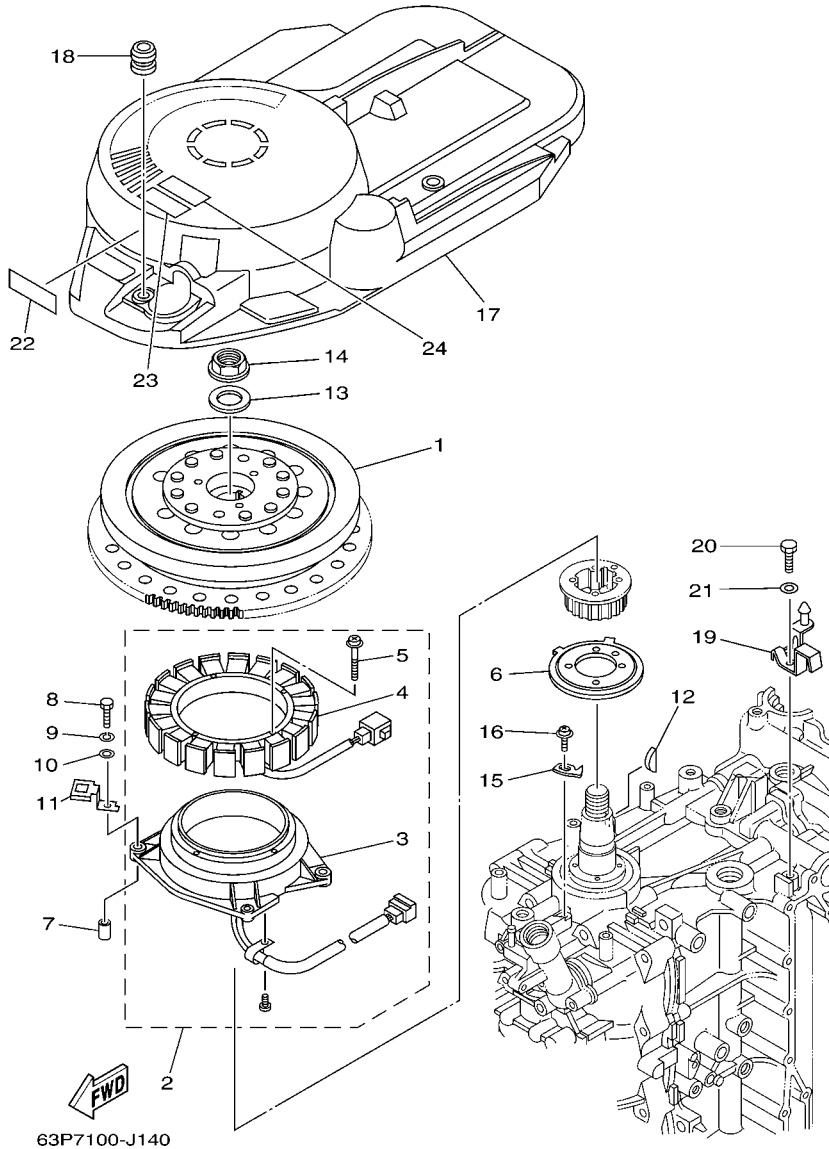
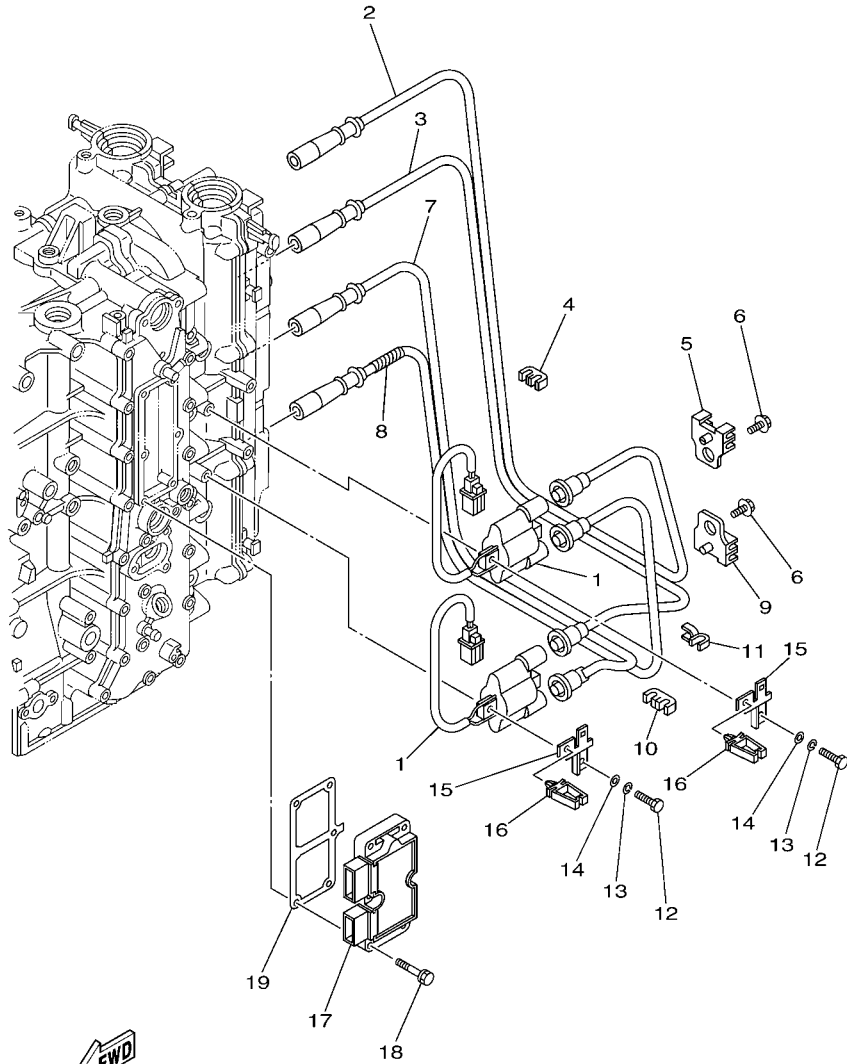


FIG. 15 GENERATOR

GENERADOR

| REF. NO. | PART NO. CODIGO Nº | DESCRIPTION DESCRIPCION | 6BM7 | 6BN7 | REMARKS OBSERVACIONES |
|----------|--------------------|--|------|------|---------------------------|
| 1 | 63P-81450-00 | ROTOR ASSY ROTOR COMPLETO | 1 | 1 | |
| 2 | 63P-81460-00 | BASE ASSY CONJUNTO BASE | 1 | 1 | |
| 3 | 63P-85580-00 | .COIL, PULSER .BOBINA DE PULSACION | 1 | 1 | |
| 4 | 63P-81410-00 | .STATOR ASSY .ESTATOR COMPLETO | 1 | 1 | |
| 5 | 63D-81345-20 | .SCREW, WITH WASHER (M6X30) .TORNILLO, CON ARANDELA (M6X30) | 4 | 4 | |
| 6 | 63P-81673-01 | ROTOR ROTOR | 1 | 1 | |
| 7 | 99530-08012 | PIN, DOWEL PASADOR, DE ESPIGA | 2 | 2 | |
| 8 | 97095-06035 | BOLT PERNO | 4 | 4 | |
| 9 | 92995-06100 | WASHER, SPRING ARANDELA | 4 | 4 | |
| 10 | 92995-06600 | WASHER ARANDELA | 4 | 4 | |
| 11 | 63P-81845-00 | PLATE PLACA | 2 | 2 | |
| 12 | 90280-05015 | KEY, WOODRUFF CUNA WOODRUFF | 1 | 1 | |
| 13 | 90201-24014 | WASHER, PLATE ARANDELA PLANA | 1 | 1 | |
| 14 | 90179-24002 | NUT TUERCA | 1 | 1 | |
| 15 | 6P2-81332-00 | PLATE, TIMING PLACA REGULADOR DE TIEMPO | 1 | 1 | |
| 16 | 97985-06210 | SCREW, WITH WASHER TORNILLO, CON ARANDELA | 1 | 1 | |
| 17 | 63P-81337-00 | COVER, FLYWHEEL CUBIERTA DE VOLANTE | 1 | 1 | |
| 18 | 663-82317-01 | DAMPER, IGNITION COIL AMORTIGUADOR BOBINA ENCENDIDO | 3 | 3 | |
| 19 | 63P-8132G-00 | PLATE PLACA | 1 | 1 | |
| 20 | 97095-06016 | BOLT PERNO | 1 | 1 | |
| 21 | 92995-06600 | WASHER ARANDELA | 1 | 1 | |
| 22 | 63P-13437-42 | MARK, CAUTION MARKER | 1 | | FOR CHN |
| | 63P-13437-62 | MARK, CAUTION MARKER | 1 | 1 | FOR CHN EXCEPT FOR CHN |
| 23 | 6AH-81994-40 | LABEL, SAFETY ETIQUETA DE SEGURIDAD | 1 | 1 | |
| 24 | 6AH-81994-50 | LABEL, SAFETY ETIQUETA DE SEGURIDAD | 1 | 1 | FOR CAR FOR CAR |

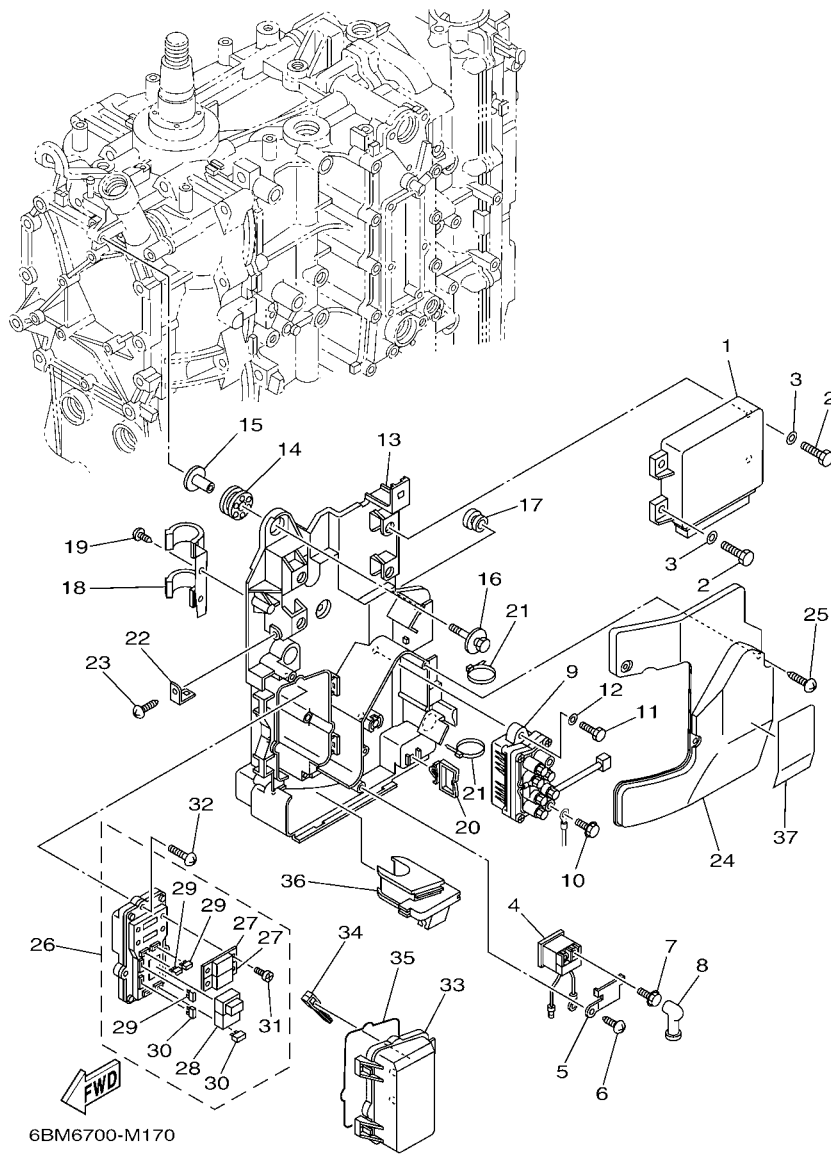


63P7110-J150

FIG. 16 ELECTRICAL 1

EQUIPO ELECTRICO 1

| REF. NO. | PART NO. CODIGO Nº | DESCRIPTION DESCRIPCION | 6BM7 | 6BN7 | | REMARKS OBSERVACIONES |
|----------|--------------------|--|------|------|--|-----------------------|
| 1 | 63P-82310-01 | IGNITION COIL ASSY BOBINA DE ENCENDIDO COMPLETA | 2 | 2 | | |
| 2 | 63P-82341-00 | CORD, HIGH TENSION 1 CABLE DE ALTA TENSION 1 | 1 | 1 | | |
| 3 | 63P-82342-00 | CORD, HIGH TENSION 2 CABLE DE ALTA TENSION 2 | 1 | 1 | | |
| 4 | 67F-82361-00 | CLAMP, CORD GRAMPA DE CABLE | 1 | 1 | | |
| 5 | 67F-82362-00 | CLAMP, CORD 2 GRAMPA DE CABLE 2 | 1 | 1 | | |
| 6 | 90119-06134 | BOLT, WITH WASHER TORNILLO CON ARANDELA | 2 | 2 | | |
| 7 | 63P-82343-00 | CORD, HIGH TENSION 3 CABLE DE ALTA TENSION 3 | 1 | 1 | | |
| 8 | 63P-82344-01 | CORD, HIGH TENSION 4 CABLE DE ALTA TENSION 4 | 1 | 1 | | |
| 9 | 67F-82362-00 | CLAMP, CORD 2 GRAMPA DE CABLE 2 | 1 | 1 | | |
| 10 | 67F-82361-00 | CLAMP, CORD GRAMPA DE CABLE | 1 | 1 | | |
| 11 | 90464-07M41 | CLAMP BRIDA | 1 | 1 | | |
| 12 | 97095-06025 | BOLT PERNO | 4 | 4 | | |
| 13 | 92995-06100 | WASHER, SPRING ARANDELA | 4 | 4 | | |
| 14 | 92995-06600 | WASHER ARANDELA | 4 | 4 | | |
| 15 | 63P-82388-00 | PLATE PLACA | 2 | 2 | | |
| 16 | 90464-05141 | CLAMP BRIDA | 2 | 2 | | |
| 17 | 63P-81960-01 | RECTIFIER & REGULATOR ASSY RECTIFICADOR Y REGULADOR | 1 | 1 | | |
| 18 | 90119-06MA4 | BOLT, WITH WASHER TORNILLO CON ARANDELA | 6 | 6 | | |
| 19 | 63P-81975-00 | PLATE, RECTIFIER FITTING PLACA ACCESORIA RECTIF. | 1 | 1 | | |



6BM6700-M170

FIG. 17 ELECTRICAL 2

EQUIPO ELECTRICO 2

| REF. NO. | PART NO. CODIGO Nº | DESCRIPTION DESCRIPCION | 6BM7 | 6BN7 | REMARKS OBSERVACIONES |
|----------|--------------------|--|------|------|-----------------------|
| 1 | 6BM-8591A-03 | ENGINE CONTROL UNIT ASSY UNIDAD CONTROL | 1 | 1 | |
| 2 | 97095-06016 | BOLT PERNO | 4 | 4 | |
| 3 | 92995-06600 | WASHER ARANDELA | 4 | 4 | |
| 4 | 68V-8194A-00 | RELAY RELE | 1 | 1 | |
| 5 | 68V-81953-00 | STAY, RELAY SOPORTE DE RELE | 1 | 1 | |
| 6 | 97780-60620 | SCREW, TAPPING TORNILLO DE CABEZA DE CONO ACH | 1 | 1 | |
| 7 | 97595-06610 | BOLT, WITH WASHER PERNO CON ARANDELA | 2 | 2 | |
| 8 | 6G5-82119-00 | COVER, LEAD WIRE CUBIERTA DE CABLE CONDUCTOR | 2 | 2 | |
| 9 | 63P-81950-00 | RELAY ASSY RELE COMPLETO | 1 | 1 | |
| 10 | 97595-06610 | BOLT, WITH WASHER PERNO CON ARANDELA | 2 | 2 | |
| 11 | 97013-06020 | BOLT PERNO | 2 | 2 | |
| 12 | 92903-06600 | WASHER, PLATE RONDANA SENCILLA | 2 | 2 | |
| 13 | 63P-81948-00 | BRACKET SOPORTE | 1 | 1 | |
| 14 | 68F-85516-01 | SPACER ESPACIADOR | 3 | 3 | |
| 15 | 90387-06176 | COLLAR ESPACIADOR | 3 | 3 | |
| 16 | 68F-85119-00 | BOLT PERNO | 3 | 3 | |
| 17 | 90480-10627 | GROMMET TAPON | 1 | 1 | |
| 18 | 63P-82594-00 | CLAMP GRAMPA | 1 | 1 | |
| 19 | 97780-60620 | SCREW, TAPPING TORNILLO DE CABEZA DE CONO ACH | 1 | 1 | |
| 20 | 90464-23199 | CLAMP BRIDA | 1 | 1 | |
| 21 | 90465-13M18 | CLAMP BRIDA | 3 | 3 | |
| 22 | 68V-85548-00 | HOLDER SOSTEN | 1 | 1 | |
| 23 | 97780-60620 | SCREW, TAPPING TORNILLO DE CABEZA DE CONO ACH | 1 | 1 | |
| 24 | 63P-81942-00 | COVER CUBIERTA | 1 | 1 | |
| 25 | 90169-05M00 | SCREW, TRUSS HEAD TAPPING TORNILLO | 3 | 3 | |
| 26 | 63P-82170-00 | FUSE BOX ASSY CAJA DE FUSIBLES COMPL. | 1 | 1 | |
| 27 | 63P-82151-00 | .FUSE (50A) .FUSIBLE (50A) | 2 | 2 | |

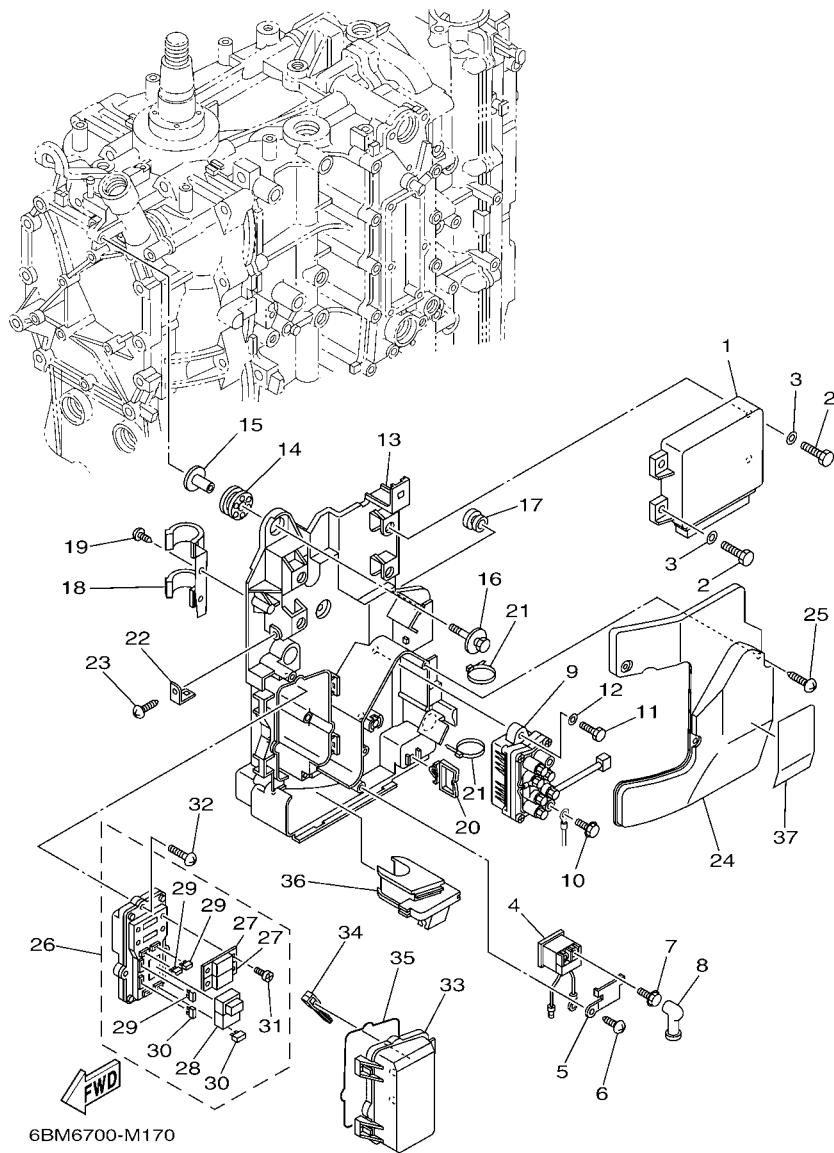


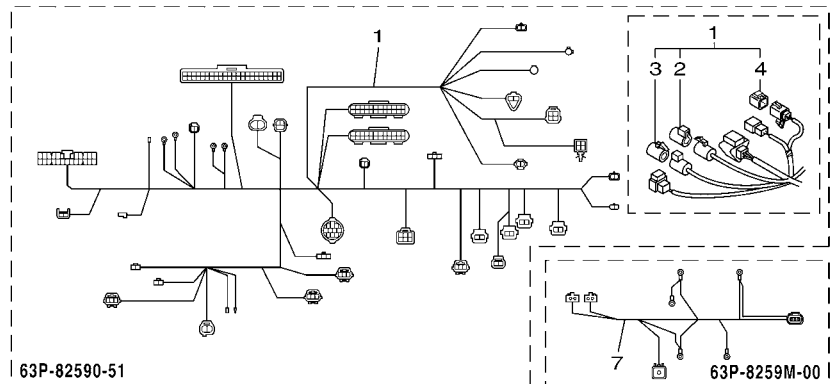
FIG. 17 ELECTRICAL 2

EQUIPO ELECTRICO 2

| REF. NO. | PART NO. CODIGO Nº | DESCRIPTION DESCRIPCION | 6BM7 | 6BN7 | REMARKS OBSERVACIONES |
|----------|--------------------|--|------|------|-----------------------|
| 28 | 68F-8195A-00 | .RELAY ASSY .RELE COMPLETO | 1 | 1 | |
| 29 | 67F-82151-00 | .FUSE (20A) .FUSIBLE (20A) | 3 | 3 | |
| 30 | 67F-82151-10 | .FUSE (30A) .FUSIBLE (30A) | 2 | 2 | |
| 31 | 68F-82846-00 | .SCREW, PAN HEAD (M5) .TORNILLO (M5) | 4 | 4 | |
| 32 | 97780-50620 | SCREW, TAPPING TORNILLO DE CABEZA DE CONO ACH | 3 | 3 | |
| 33 | 60V-85544-00 | CASE CAJA | 1 | 1 | |
| 34 | 67F-2812A-00 | PULLER, FUSE TIRADOR DE FUSIBLE | 1 | 1 | |
| 35 | 68F-82176-00 | DAMPER AMORTIGUADOR | 1 | 1 | |
| 36 | 63P-81336-00 | GROMMET TAPON PROTECTOR | 1 | 1 | |
| 37 | 63P-81919-00 | GRAPHIC, REGULATOR CALCOMANIA DE REGULADOR | 1 | 1 | |

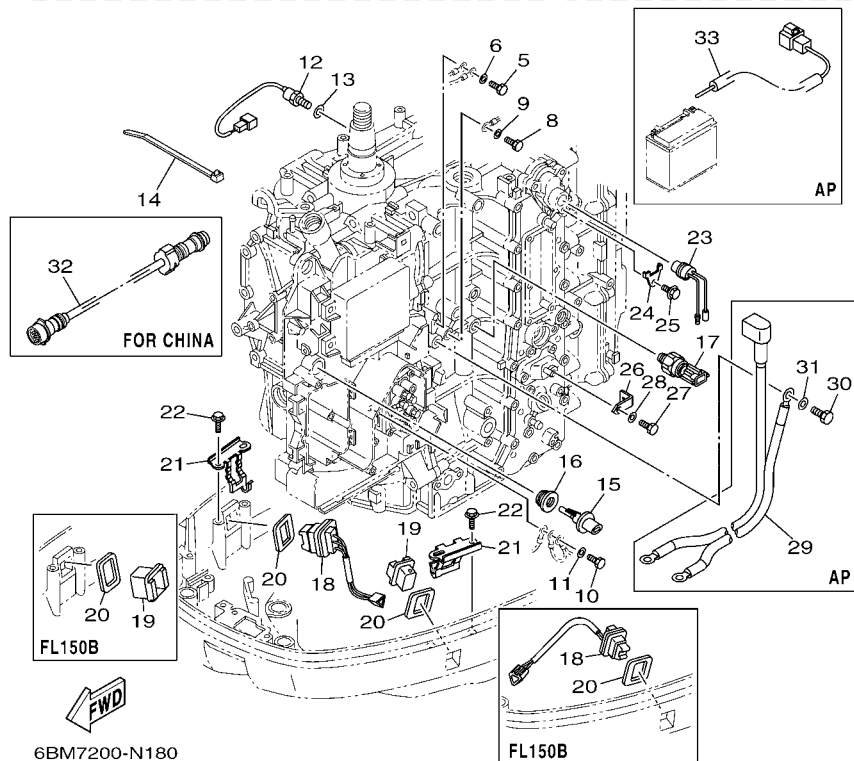
FIG. 18 ELECTRICAL 3

EQUIPO ELECTRICO 3



63P-82590-51

63P-8259M-00



FOR CHINA

FL150B

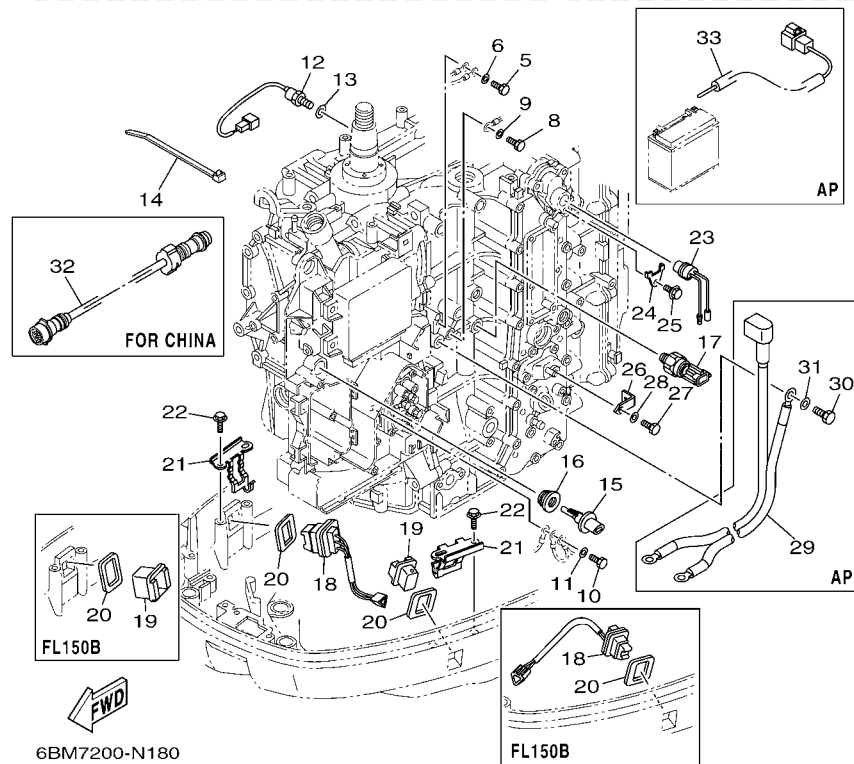
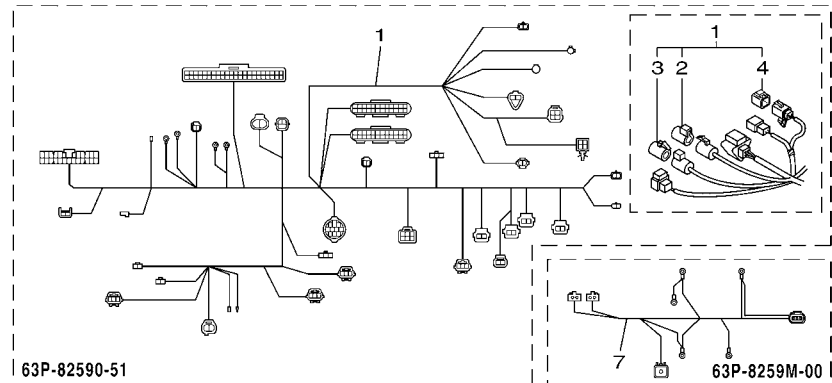
6BM7200-N180

FL150B

| REF. NO. | PART NO. CODIGO Nº | DESCRIPTION DESCRIPCION | 6BM7 | 6BN7 | REMARKS OBSERVACIONES |
|----------|--------------------|--|------|------|-----------------------|
| 1 | 63P-82590-51 | WIRE HARNESS ASSY CONJUNTO DE CABLES | 1 | 1 | |
| 2 | 6DA-82582-00 | .CAP 1 (FEMALE) .TAPA 1 | 1 | 1 | |
| 3 | 6DA-82582-10 | .CAP 1 (MALE) .TAPA 1 | 1 | 1 | |
| 4 | 6Y8-82582-11 | .CAP 1 (4PIN) .CUBIERTA DE ARNES DE CABLE | 1 | 1 | |
| 5 | 97095-06016 | BOLT PERNO | 1 | 1 | |
| 6 | 92995-06600 | WASHER ARANDELA | 1 | 1 | |
| 7 | 63P-8259M-00 | WIRE HARNESS ASSY 2 ARNES DE CABLES | 1 | 1 | |
| 8 | 97095-06016 | BOLT PERNO | 1 | 1 | |
| 9 | 92995-06600 | WASHER ARANDELA | 1 | 1 | |
| 10 | 97095-06012 | BOLT PERNO | 1 | 1 | |
| 11 | 92995-06600 | WASHER ARANDELA | 1 | 1 | |
| 12 | 61A-85790-00 | THERMOSENSOR ASSY TERMICA SENSORIO | 1 | 1 | |
| 13 | 92990-10600 | WASHER, PLATE ARANDELA PLANA | 1 | 1 | |
| 14 | 90465-11M10 | CLAMP BRIDA | 1 | 1 | |
| 15 | 63P-85886-00 | SENSOR, AIR TEMPERATURE SENSOR | 1 | 1 | |
| 16 | 63P-14435-00 | GROMMET ANILLO PROTECTOR | 1 | 1 | |
| 17 | 6AW-83651-00 | SENDER, OIL PRESSURE TRASMISOR DE PRESION DE ACEITE | 1 | 1 | |
| 18 | 69J-82563-00 | TRIM & TILT SWITCH ASSY INTERRUPTOR DE INCLINACION | 1 | 1 | |
| 19 | 69J-42723-01 | COVER, BOTTOM CUBIERTA INFERIOR | 1 | 1 | |
| 20 | 69J-82587-00 | GASKET EMPAQUETADURA | 2 | 2 | |
| 21 | 63P-83614-01 | BRACKET SOPORTE | 2 | 2 | |
| 22 | 90109-06M86 | BOLT PERNO | 4 | 4 | |
| 23 | 6P2-82560-01 | THERMO SWITCH ASSY INTER. DE TERMO | 1 | 1 | |
| 24 | 6E9-82588-00 | PLATE PLACA | 1 | 1 | |
| 25 | 90109-06M80 | BOLT PERNO | 1 | 1 | |
| 26 | 63P-8366P-01 | BRACKET 4 SOPORTE 4 | 1 | 1 | |
| 27 | 97095-06012 | BOLT PERNO | 1 | 1 | |

FIG. 18 ELECTRICAL 3

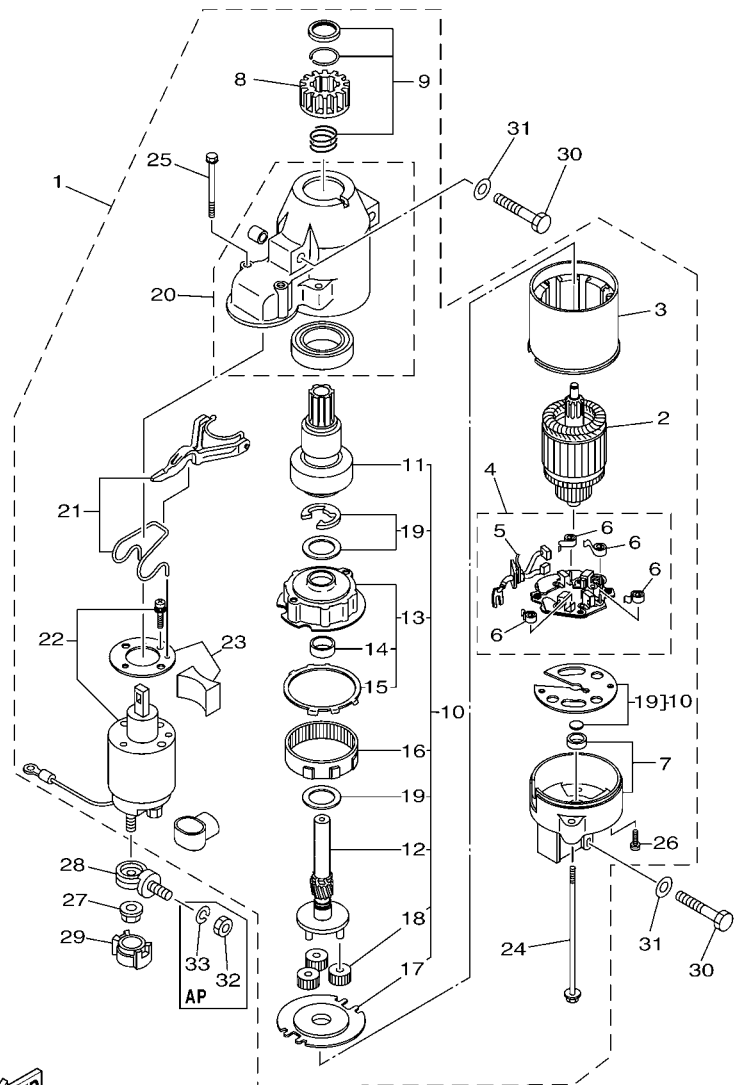
EQUIPO ELECTRICO 3



| REF. NO. | PART NO. CODIGO Nº | DESCRIPTION DESCRIPCION | 6BM7 | 6BN7 | REMARKS OBSERVACIONES |
|----------|--------------------|--|------|------|-----------------------|
| 28 | 92995-06600 | WASHER ARANDELA | 1 | 1 | |
| 29 | 63P-82105-01 | BATTERY CABLE CABLE DE BATERIA | 1 | 1 | AP |
| 30 | 97095-08016 | BOLT PERNO | 1 | 1 | AP |
| 31 | 92995-08600 | WASHER ARANDELA | 1 | 1 | AP |
| 32 | 688-8258A-30 | EXTENSION, WIRE HARNESS (3M) EXTENSION, ARNES DE CABLES (3M) | 1 | | AP FOR CHN (10P) |
| 33 | 68F-81949-02 | WIRE, LEAD (ISOLATOR, 2.7M) CABLE CONDUCTOR, 2.7M | 1 | 1 | AP FOR CHN (10P) |
| | | | | | AP |
| | | | | | AP |
| | | | | | |
| | | | | | |
| | | | | | |
| | | | | | |
| | | | | | |
| | | | | | |
| | | | | | |

FIG. 19 STARTING MOTOR

MOTOR DE ARRANQUE

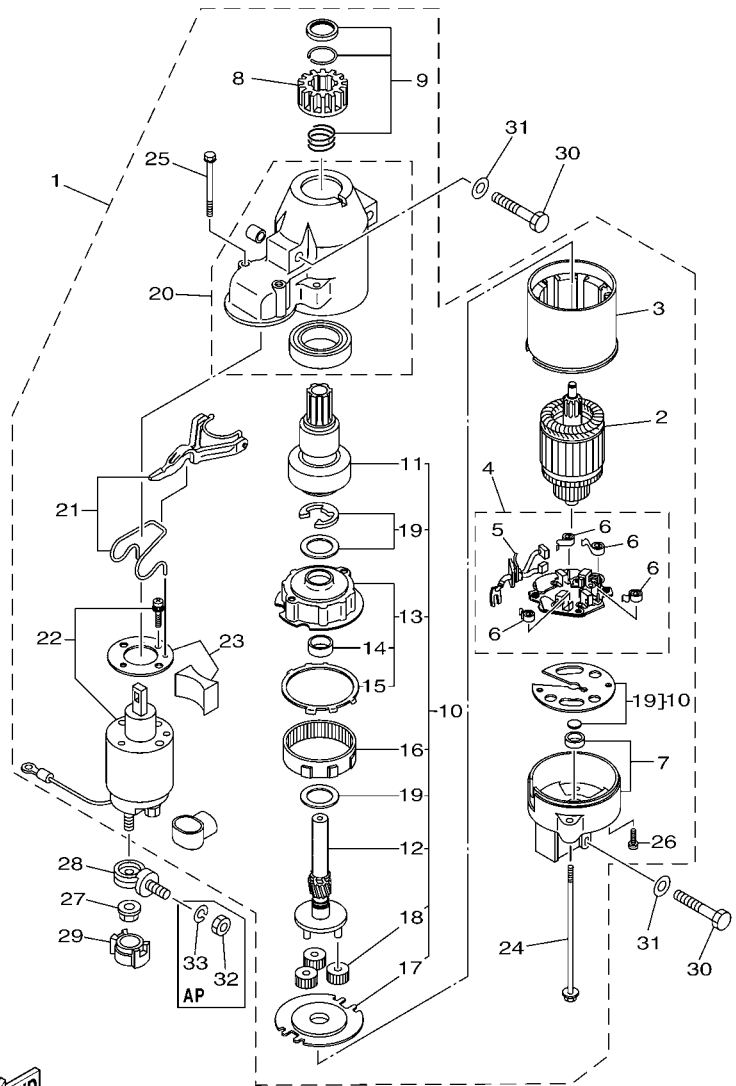


63PA100-L180

| REF. NO. | PART NO. CODIGO Nº | DESCRIPTION DESCRIPCION | 6BM7 | 6BN7 | REMARKS OBSERVACIONES |
|----------|--------------------|---|------|------|--|
| 1 | 6BR-81800-01 | STARTING MOTOR ASSY MOTOR DE ARRANQUE COMPLETO | 1 | 1 | |
| 2 | 67F-81850-00 | ..ARMATURE ASSY ..INDUCIDO COMPLETO | 1 | 1 | |
| 3 | 67F-81810-00 | ..STATOR ASSY ..ESTATOR COMPLETO | 1 | 1 | |
| 4 | 69J-81840-00 | ..BRUSH HOLDER ASSY ..SOSTEN DE ESCOBILLA COMPLETO | 1 | 1 | |
| 5 | 69J-81801-00 | ..BRUSH SET ..JUEGO DE ESCOBILLA | 1 | 1 | |
| 6 | 67F-81813-00 | ..SPRING, BRUSH ..RESORTE DE ESCOBILLA | 4 | 4 | |
| 7 | 67F-81820-00 | ..REAR BRACKET ASSY ..CUBIERTA TRASERA COMPL | 1 | 1 | |
| 8 | 67F-81808-00 | ..PINION ASSY ..PINON | 1 | 1 | |
| 9 | 67F-81857-00 | ..PINION STOPPER SET ..JUEGO TAPON PINON | 1 | 1 | |
| 10 | 67F-81807-00 | ..GEAR ASSY, STARTING MOTOR ..PINON CONJUNTO | 1 | 1 | |
| 11 | 67F-81832-00 | ..CLUTCH, OVER RUN ..PINON COMPL | 1 | 1 | |
| 12 | 67F-81836-00 | ..SHAFT, PINION ..ARBOL, PINON | 1 | 1 | |
| 13 | 67F-81821-00 | ..BRACKET, CENTER 1 ..SOPORTE, CENTRO 1 | 1 | 1 | |
| 14 | 67F-81841-00 | ..BEARING ..PORTADOR | 1 | 1 | |
| 15 | 67F-8183R-00 | ..GASKET ..EMPAQUETADURA | 1 | 1 | |
| 16 | 67F-81891-00 | ..GEAR, RING ..ENGRANAJE ANILLO | 1 | 1 | WITH 67F-8183R-00 WITH 67F-8183R-00 |
| 17 | 67F-81830-00 | ..BRACKET, CENTER 2 ..SOPORTE, CENTRO 2 | 1 | 1 | |
| 18 | 60V-8183T-00 | ..GEAR, IDLER ..ENGRENAJE NEUTRO | 3 | 3 | |
| 19 | 67F-81809-00 | ..WASHER KIT ..JUEGO DE ARANDELA | 1 | 1 | |
| 20 | 69J-81842-00 | ..COVER ..TAPA | 1 | 1 | |
| 21 | 6C5-81839-00 | ..LEVER ASSY ..PALANCA COMPL. | 1 | 1 | |
| 22 | 63P-81941-00 | ..STARTER RELAY ASSY ..RELE DE ARRANQUE | 1 | 1 | |
| 23 | 6C5-81869-00 | ..COVER, DUST ..CUBIERTA PARA POLVO | 1 | 1 | |
| 24 | 6K7-81826-11 | ..BOLT ..PERNO | 2 | 2 | |
| 25 | 69J-81828-00 | ..SCREW 2 ..TORNILLO DE EMPUJE 2 | 2 | 2 | |
| 26 | 67F-81846-00 | ..SCREW ..TORNILLO | 2 | 2 | |
| 27 | 90179-08003 | NUT TUERCA | 1 | 1 | |

FIG. 19 STARTING MOTOR

MOTOR DE ARRANQUE



63PA100-L180

| REF. NO. | PART NO. CODIGO Nº | DESCRIPTION DESCRIPCION | 6BM7 | 6BN7 | REMARKS OBSERVACIONES |
|----------|--------------------|---|------|------|-----------------------|
| 28 | 60V-81925-00 | TERMINAL TERMINAL | 1 | 1 | |
| 29 | 68F-82582-00 | COVER, WIRE HARNESS CUBIERTA DE ARNES DE CABLE | 1 | 1 | |
| 30 | 97013-08045 | BOLT PERNO | 3 | 3 | |
| 31 | 92903-08600 | WASHER, PLATE RONDANA SENCILLA | 3 | 3 | |
| 32 | 95333-08600 | NUT TUERCA | 1 | 1 | AP |
| 33 | 92903-08100 | WASHER, SPRING RONDANA SENCILLA | 1 | 1 | AP |
| | | | | | |
| | | | | | |
| | | | | | |
| | | | | | |
| | | | | | |
| | | | | | |

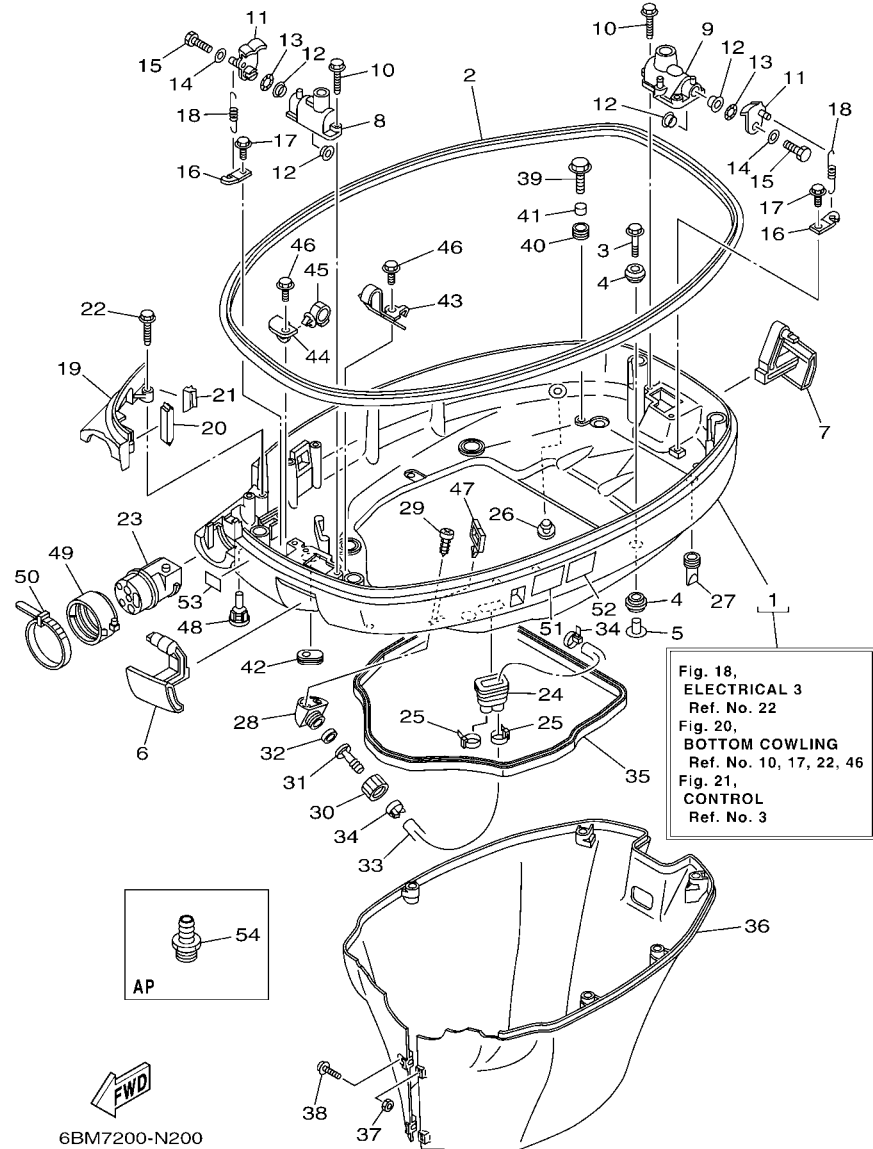


FIG. 20 BOTTOM COWLING

CUBIERTA INFERIOR

| REF. NO. | PART NO. CODIGO Nº | DESCRIPTION DESCRIPCION | 6BM7 | 6BN7 | REMARKS OBSERVACIONES |
|----------|--------------------|---|------|------|-----------------------|
| 1 | 63P-42710-01-8D | BOTTOM COWLING ASSY CUBIERTA INFERIOR COMPL. | 1 | 1 | |
| 2 | 63P-42615-00 | SEAL SELLO | 1 | 1 | |
| 3 | 90119-08M22 | BOLT, WITH WASHER TORNILLO CON ARANDELA | 4 | 4 | |
| 4 | 90480-22M81 | GROMMET TAPON | 8 | 8 | |
| 5 | 90387-08M37 | COLLAR ESPACIADOR | 4 | 4 | |
| 6 | 63P-42815-00-8D | LEVER, CLAMP PALANCA ABRAZADERA | 1 | 1 | |
| 7 | 63P-42816-00-8D | LEVER, CLAMP PALANCA ABRAZADERA | 1 | 1 | |
| 8 | 68F-42828-03-9S | PLATE, CLAMP PLACA, GRAMPA | 1 | 1 | |
| 9 | 63P-42828-00-9S | PLATE, CLAMP PLACA, GRAMPA | 1 | 1 | |
| 10 | 90109-06M82 | BOLT PERNO | 4 | 4 | |
| 11 | 63P-42818-01 | LEVER, CLAMP PALANCA, ABRAZADERA | 2 | 2 | |
| 12 | 90386-15M73 | BUSH BUJE | 4 | 4 | |
| 13 | 90206-15M18 | WASHER, WAVE ARANDELA ONDULADA | 2 | 2 | |
| 14 | 90201-06068 | WASHER, PLATE ARANDELA PLANA | 2 | 2 | |
| 15 | 97095-06020 | BOLT PERNO | 2 | 2 | |
| 16 | 64D-43144-00 | HÖÖK, SPRING GANCHO | 2 | 2 | |
| 17 | 90109-06M86 | BOLT PERNO | 2 | 2 | |
| 18 | 90506-16M34 | SPRING, TENSION RESORTE DE TENSION | 2 | 2 | |
| 19 | 63P-42738-00-8D | PLATE, FITTING PLACA DE AJUSTE | 1 | 1 | |
| 20 | 63P-42717-00 | RUBBER, SEAL 2 GOMA | 1 | 1 | |
| 21 | 63P-42718-00 | RUBBER, SEAL 3 GOMA | 1 | 1 | |
| 22 | 90109-06M82 | BOLT PERNO | 2 | 2 | |
| 23 | 63P-42725-00 | GROMMET TAPON | 1 | 1 | |
| 24 | 6H1-42726-21 | GROMMET TAPON | 1 | 1 | |
| 25 | 90465-11M10 | CLAMP BRIDA | 2 | 2 | |
| 26 | 6P2-44391-00 | NIPPLE, HOSE NIPLE MANGUERA | 1 | 1 | |
| 27 | 61A-42717-00 | RUBBER, SEAL 2 GOMA | 4 | 4 | |

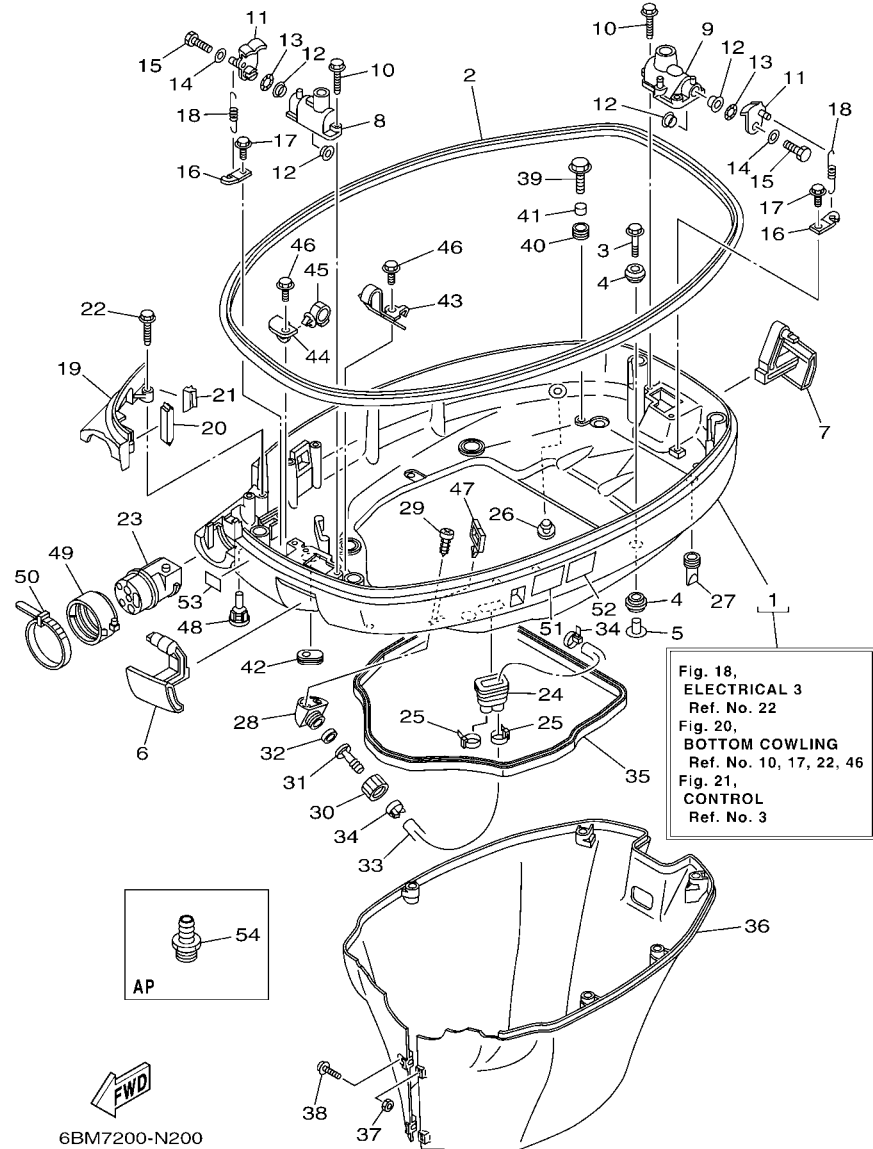
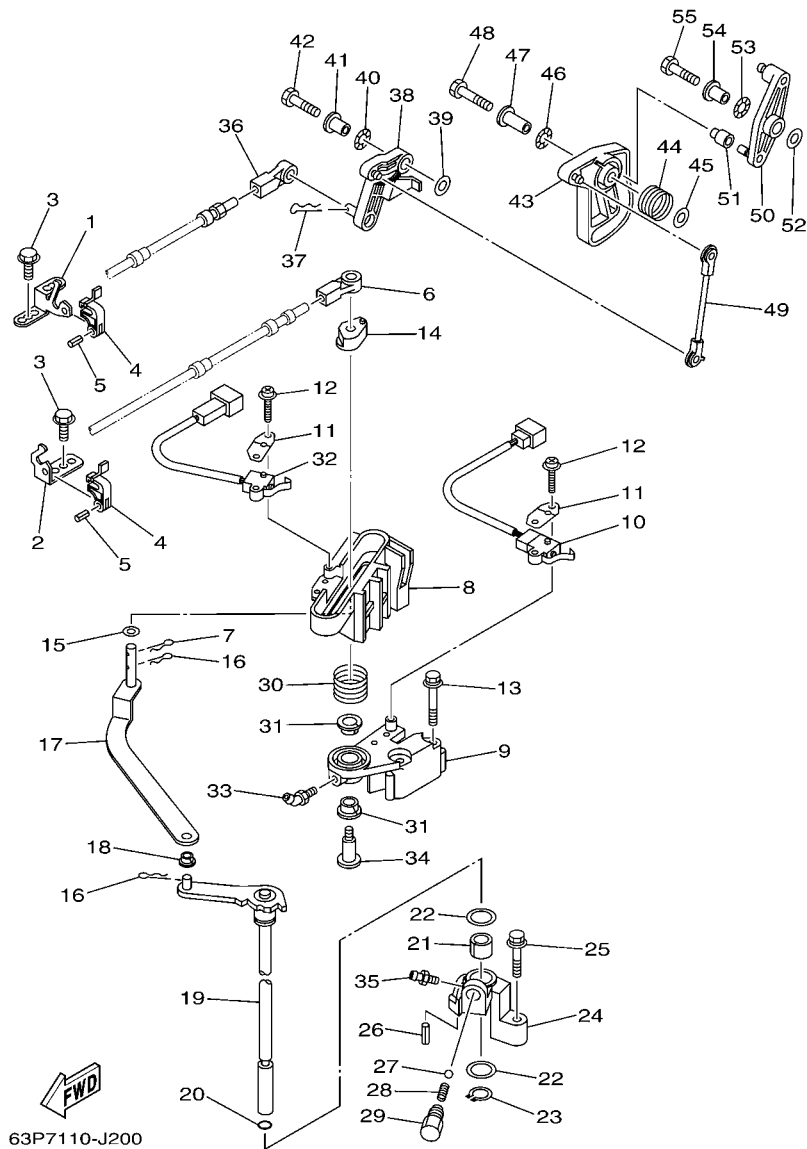


FIG. 20 BOTTOM COWLING

CUBIERTA INFERIOR

| REF. NO. | PART NO. CODIGO N° | DESCRIPTION DESCRIPCION | 6BM7 | 6BN7 | REMARKS OBSERVACIONES |
|----------|--------------------|--|------|------|------------------------------------|
| 28 | 68T-12572-00 | ADAPTER ADAPTADOR | 1 | 1 | |
| 29 | 97780-60520 | SCREW, TAPPING TORNILLO DE CABEZA DE CONO ACH | 2 | 2 | |
| 30 | 6R3-12581-00 | JOINT, HOSE 1 CONEXION | 1 | 1 | |
| 31 | 6R3-12582-00 | JOINT, HOSE 2 CONEXION | 1 | 1 | |
| 32 | 6R3-12583-00 | GASKET, HOSE JOINT EMPAQUETADURA JUNTA DE MANGUE | 1 | 1 | |
| 33 | 63P-42541-00 | PIPE 1 TUBO 1 | 1 | 1 | |
| 34 | 90465-11M10 | CLAMP BRIDA | 2 | 2 | |
| 35 | 63P-42716-00 | RUBBER, SEAL 1 SELLO DE GOMA 1 | 1 | 1 | |
| 36 | 63P-42741-01-8D | APRON MANDIL | 1 | 1 | |
| 37 | 95380-06600 | NUT, HEXAGON TUERCA | 2 | 2 | |
| 38 | 90159-06M28 | SCREW, WITH WASHER TORNILLO CON VALONA | 2 | 2 | |
| 39 | 90109-06M80 | BOLT PERNO | 4 | 4 | |
| 40 | 90480-13M24 | GROMMET TAPON | 4 | 4 | |
| 41 | 90387-06M43 | COLLAR ESPACIADOR | 4 | 4 | |
| 42 | 61A-42727-00 | GROMMET TAPON | 1 | 1 | |
| 43 | 63P-42811-01 | STAY SOPORTE GRAMPA | 1 | 1 | |
| 44 | 63P-42756-00 | STAY, CLAMP SOPORTE DE GRAMPA | 1 | 1 | |
| 45 | 90464-20181 | CLAMP BRIDA | 1 | 1 | |
| 46 | 90109-06M86 | BOLT PERNO | 2 | 2 | |
| 47 | 90464-23199 | CLAMP BRIDA | 1 | 1 | |
| 48 | 6H4-42748-00 | GROMMET TAPON | 2 | 2 | |
| 49 | 68F-42753-00 | FASTNER TIRADOR | 1 | 1 | AP AP AP AP |
| 50 | 90464-20258 | CLAMP BRIDA | 1 | 1 | |
| 51 | 6AH-42794-40 | LABEL, WARNING (GENERAL) ETIQUETA DE PRECAUCION | 1 | 1 | |
| 52 | 6AH-42794-50 | LABEL, WARNING (GENERAL) ETIQUETA DE PRECAUCION | 1 | 1 | FOR CAR FOR CAR |
| 53 | 6AH-81996-00 | MARK MARCA | 1 | 1 | FOR CAR FOR CAR |
| 54 | 69J-12584-00 | JOINT, HOSE 3 CONECTOR DE MANGUERA 3 | 1 | 1 | AP FLUSHING KIT AP FLUSHING KIT |

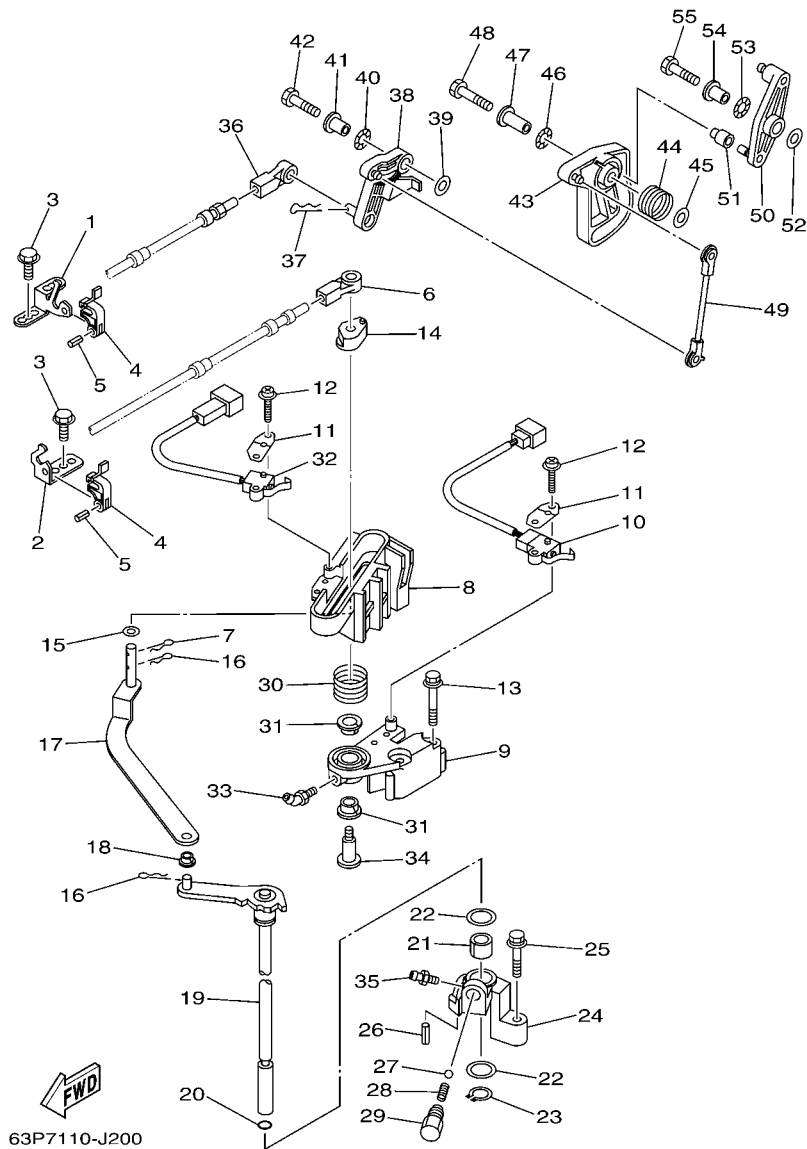


63P7110-J200

FIG. 21 CONTROL

CONTROL

| REF. NO. | PART NO. CODIGO Nº | DESCRIPTION DESCRIPCION | 6BM7 | 6BN7 | REMARKS OBSERVACIONES |
|----------|--------------------|--|------|------|-----------------------|
| 1 | 63P-48531-00 | BRACKET, REMOTE CONTROL 1 SOPORTE DE CONTROL REMOTO | 1 | 1 | |
| 2 | 63P-48532-00 | BRACKET, REMOTE CONTROL 2 SOPORTE DE CONTROL REMOTO | 1 | 1 | |
| 3 | 90109-06M86 | BOLT PERNO | 3 | 3 | |
| 4 | 63P-48538-00 | CLAMP, CABLE 1 GRAMPA DE CABLE | 2 | 2 | |
| 5 | 91690-30010 | PIN, SPRING PASADOR DE RESORTE | 2 | 2 | |
| 6 | 6E5-48344-00 | CABLE END, REMOTE CONTROL BASE CONTROL | 1 | 1 | |
| 7 | 90468-18008 | CLIP PRESILLA | 1 | 1 | |
| 8 | 63P-44176-00 | BRACKET SOPORTE | 1 | 1 | |
| 9 | 63P-44117-01 | BRACKET SOPORTE | 1 | 1 | |
| 10 | 69J-8259F-00 | SWITCH ASSY INTERRUPTOR | 1 | 1 | |
| 11 | 61A-82588-01 | PLATE PLACA | 2 | 2 | |
| 12 | 97985-04116 | SCREW, WITH WASHER TORNILLO, CON ARANDELA | 4 | 4 | |
| 13 | 97595-06550 | BOLT, WITH WASHER PERNO CON ARANDELA | 2 | 2 | |
| 14 | 63P-44122-00 | BUSHING, SHIFT ROD LEVER BUJE PALANCA VARILLA DE CAMBIO | 1 | 1 | |
| 15 | 90202-08M20 | WASHER, PLATE ARANDELA DE PLANA | 1 | 1 | |
| 16 | 90468-18008 | CLIP PRESILLA | 2 | 2 | |
| 17 | 63P-44121-00 | LEVER, SHIFT ROD PALANCA VARILLA CAMBIOS | 1 | 1 | |
| 18 | 90386-06M12 | BUSH BUJE | 1 | 1 | |
| 19 | 63P-44120-01 | HANDLE GEAR SHIFT ASSY MANIJA DE CAMBIO COMPL | 1 | 1 | |
| 20 | 93210-09165 | O-RING ANILLO O | 1 | 1 | |
| 21 | 90386-16M66 | BUSH BUJE | 1 | 1 | |
| 22 | 90202-16061 | WASHER, PLATE ARANDELA DE PLANA | 2 | 2 | |
| 23 | 93410-16006 | CIRCLIP SEGURO | 1 | 1 | |
| 24 | 63P-44118-00 | BRACKET SOPORTE | 1 | 1 | |
| 25 | 97575-06535 | BOLT, WITH WASHER PERNO CON ARANDELA | 1 | 1 | |
| 26 | 91690-30010 | PIN, SPRING PASADOR DE RESORTE | 1 | 1 | |
| 27 | 93501-04M02 | BALL BOLA | 1 | 1 | |



63P7110-J200

FIG. 21 CONTROL

CONTROL

| REF. NO. | PART NO. CODIGO Nº | DESCRIPTION DESCRIPCION | 6BM7 | 6BN7 | REMARKS OBSERVACIONES |
|----------|--------------------|---|------|------|-----------------------|
| 28 | 90501-12082 | SPRING, COMPRESSION RESORTE DE COMPRESION | 1 | 1 | |
| 29 | 648-42715-00 | BUSHING BUJE | 1 | 1 | |
| 30 | 90508-20M31 | SPRING, TORSION RESORTE DE TORSION | 1 | 1 | |
| 31 | 90386-12069 | BUSH BUJE | 2 | 2 | |
| 32 | 60V-8259F-00 | SWITCH ASSY INTERRUPTOR | 1 | 1 | |
| 33 | 93700-06M01 | NIPPLE, GREASE BOQUILLA DE ENGRASAR | 1 | 1 | |
| 34 | 90109-08019 | BOLT PERNO | 1 | 1 | |
| 35 | 93700-06M03 | NIPPLE, GREASE BOQUILLA DE ENGRASAR | 1 | 1 | |
| 36 | 6E5-48344-00 | CABLE END, REMOTE CONTROL BASE CONTROL | 1 | 1 | |
| 37 | 90468-18008 | CLIP PRESILLA | 1 | 1 | |
| 38 | 63P-42154-00 | LEVER, THROTTLE CONTROL PALANCA CONTROL ACELERADOR | 1 | 1 | |
| 39 | 90201-06M31 | WASHER, PLATE ARANDELA PLANA | 1 | 1 | |
| 40 | 90206-10M04 | WASHER, WAVE ARANDELA ONDULADA | 1 | 1 | |
| 41 | 90387-06M29 | COLLAR ESPACIADOR | 1 | 1 | |
| 42 | 97095-06025 | BOLT PERNO | 1 | 1 | |
| 43 | 63P-41213-00 | CAM, ACCEL. LEVA ACELERADOR | 1 | 1 | |
| 44 | 69J-44135-00 | SPRING RESORTE | 1 | 1 | |
| 45 | 90201-06M31 | WASHER, PLATE ARANDELA PLANA | 1 | 1 | |
| 46 | 90206-10M04 | WASHER, WAVE ARANDELA ONDULADA | 1 | 1 | |
| 47 | 90387-06M82 | COLLAR ESPACIADOR | 1 | 1 | |
| 48 | 97095-06035 | BOLT PERNO | 1 | 1 | |
| 49 | 63P-41237-00 | JOINT, LINK CONECTOR | 1 | 1 | |
| 50 | 63P-42157-00 | LEVER, THROTTLE PALANCA DE ACELERADOR | 1 | 1 | |
| 51 | 68V-42171-00 | BUSHING BUJE | 1 | 1 | |
| 52 | 90201-06M31 | WASHER, PLATE ARANDELA PLANA | 1 | 1 | |
| 53 | 90206-10M04 | WASHER, WAVE ARANDELA ONDULADA | 1 | 1 | |
| 54 | 90387-06M29 | COLLAR ESPACIADOR | 1 | 1 | |

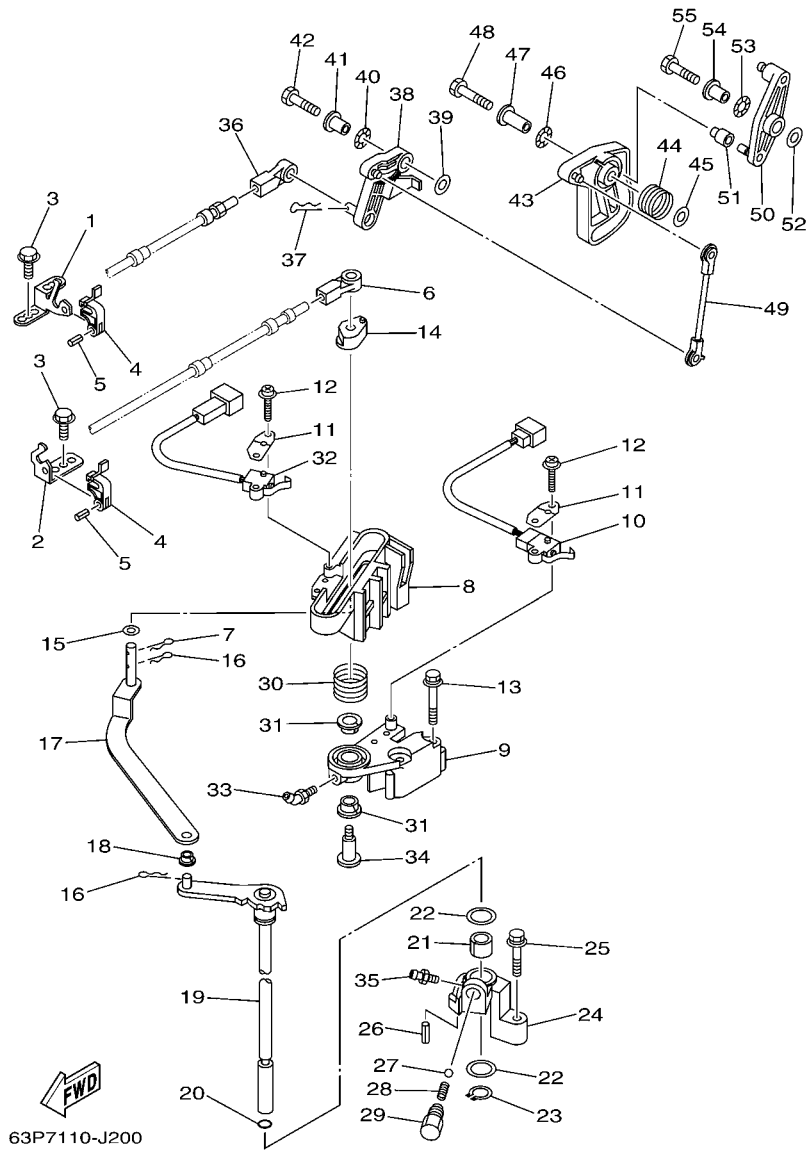


FIG. 21 CONTROL

CONTROL

| REF. NO. | PART NO. CODIGO Nº | DESCRIPTION DESCRIPCION | 6BM7 | 6BN7 | | | REMARKS OBSERVACIONES |
|----------|--------------------|-------------------------|------|------|--|--|-----------------------|
| 55 | 97095-06025 | BOLT PERNO | 1 | 1 | | | |
| ----- | | | | | | | |
| ----- | | | | | | | |
| ----- | | | | | | | |
| ----- | | | | | | | |
| ----- | | | | | | | |
| ----- | | | | | | | |
| ----- | | | | | | | |
| ----- | | | | | | | |

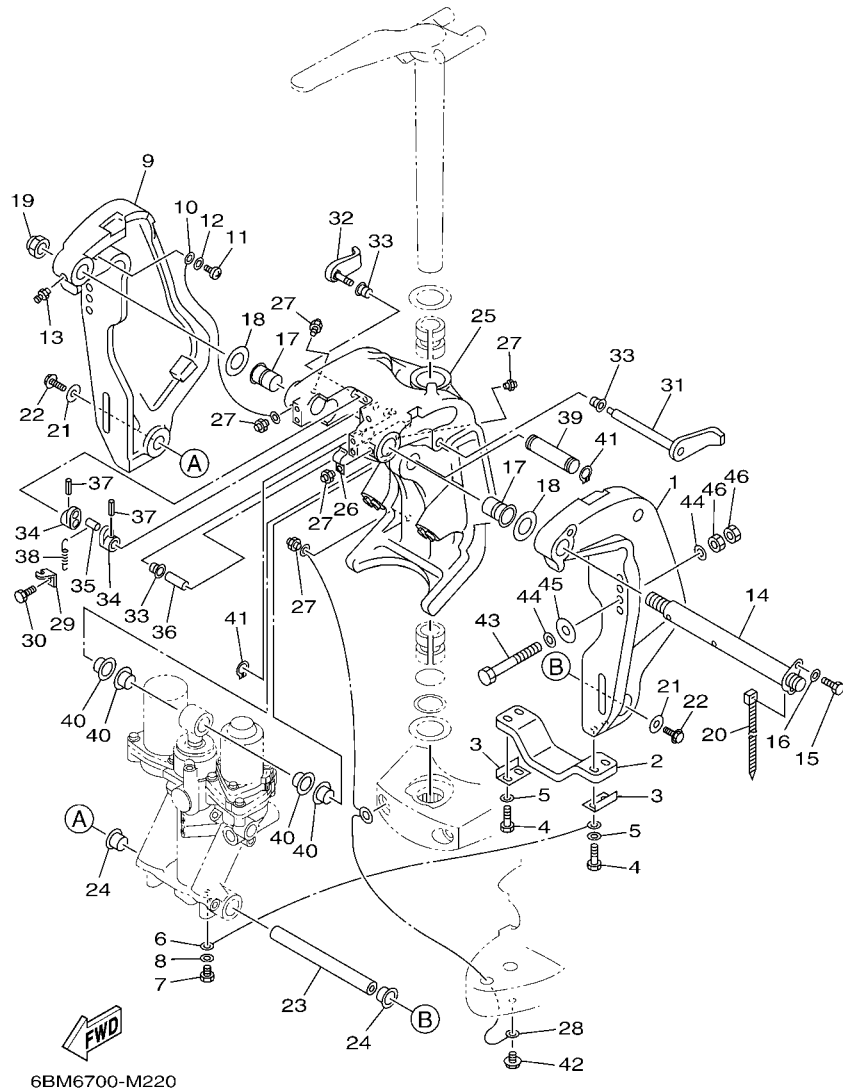


FIG. 22 BRACKET 1

SOPORTE 1

| REF. NO. | PART NO. CODIGO Nº | DESCRIPTION DESCRIPCION | 6BM7 | 6BN7 | REMARKS OBSERVACIONES |
|----------|--------------------|---|------|------|-----------------------|
| 1 | 64E-43111-02-8D | BRACKET, CLAMP 1 SOPORTE DE LA ABRAZADERA 1 | 1 | 1 | |
| 2 | 6G5-45251-02 | ANODE CATODE | 1 | 1 | |
| 3 | 6G5-44526-00 | PLATE PLACA 1 | 2 | 2 | |
| 4 | 97095-06030 | BOLT PERNO | 4 | 4 | |
| 5 | 92995-06600 | WASHER ARANDELA | 4 | 4 | |
| 6 | 6E5-82148-00 | WIRE, LEAD 4 CABLE CONDUCTOR 4 | 1 | 1 | |
| 7 | 97095-06010 | BOLT PERNO | 1 | 1 | |
| 8 | 92995-06600 | WASHER ARANDELA | 1 | 1 | |
| 9 | 64E-43112-02-8D | BRACKET, CLAMP 2 SOPORTE DE LA ABRAZADERA 2 | 1 | 1 | |
| 10 | 6E5-82148-00 | WIRE, LEAD 4 CABLE CONDUCTOR 4 | 1 | 1 | |
| 11 | 97885-06012 | SCREW, PAN HEAD TORNILLO A MUESCA | 1 | 1 | |
| 12 | 92995-06600 | WASHER ARANDELA | 1 | 1 | |
| 13 | 93700-06M03 | NIPPLE, GREASE BOQUILLA DE ENGRASAR | 1 | 1 | |
| 14 | 64E-43131-01 | BOLT, CLAMP BRACKET TORNILLO DE ABRAZADERA DEL SOP | 1 | 1 | |
| 15 | 97095-08020 | BOLT PERNO | 1 | 1 | |
| 16 | 92995-08600 | WASHER ARANDELA | 1 | 1 | |
| 17 | 90386-25M31 | BUSH BUJE | 2 | 2 | |
| 18 | 90201-26M59 | WASHER, PLATE ARANDELA PLANA | 2 | 2 | |
| 19 | 90185-22M11 | NUT, SELF-LOCKING TUERCA AUTOBLOCANTE | 1 | 1 | |
| 20 | 90465-11M10 | CLAMP BRIDA | 1 | 1 | |
| 21 | 90201-10060 | WASHER, PLATE ARANDELA PLANA | 2 | 2 | |
| 22 | 97575-10530 | BOLT, WITH WASHER PERNO CON ARANDELA | 2 | 2 | |
| 23 | 6BC-43818-00 | PIN, LOWER SHOCK MOUNT PASADOR AMORTIGUADOR INFERIOR | 1 | 1 | |
| 24 | 90386-22M98 | BUSH BUJE | 2 | 2 | |
| 25 | 64E-43311-10-8D | BRACKET, SWIVEL 1 SOPORTE GIRATORIO 1 | 1 | 1 | |
| 26 | 90465-08M63 | CLAMP BRIDA | 1 | 1 | |
| 27 | 93700-06M03 | NIPPLE, GREASE BOQUILLA DE ENGRASAR | 5 | 5 | |

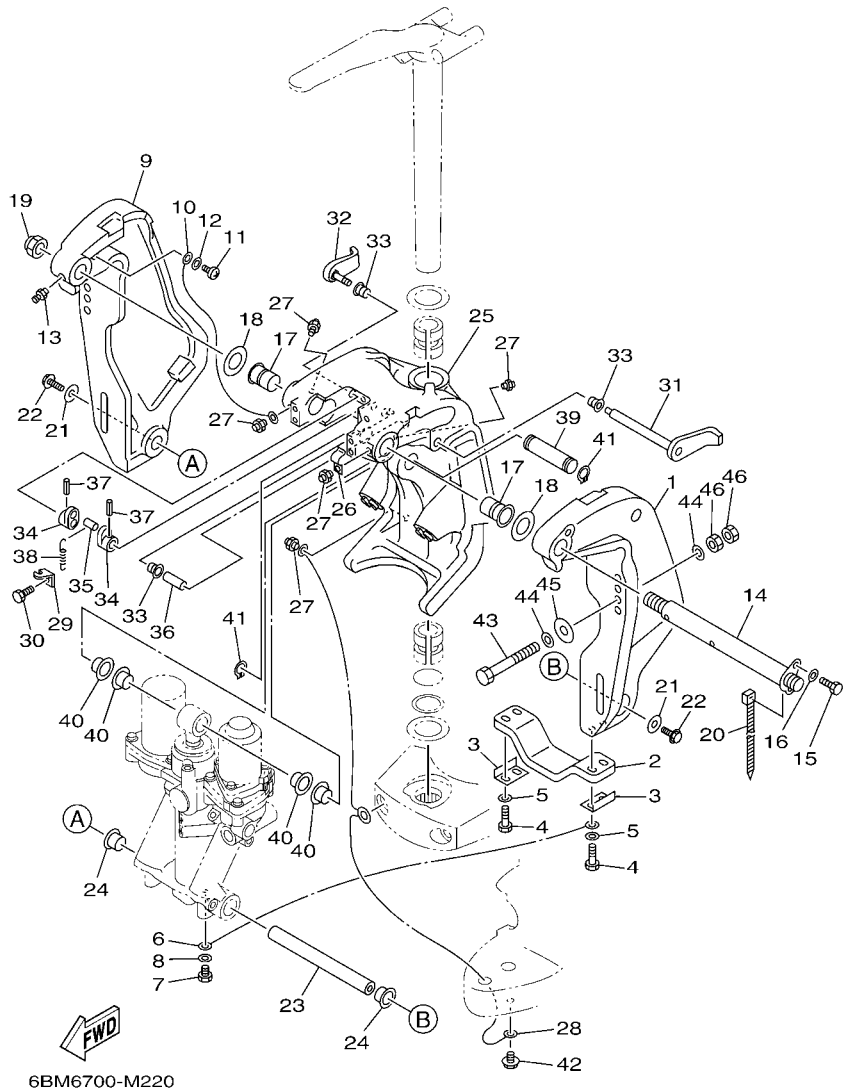
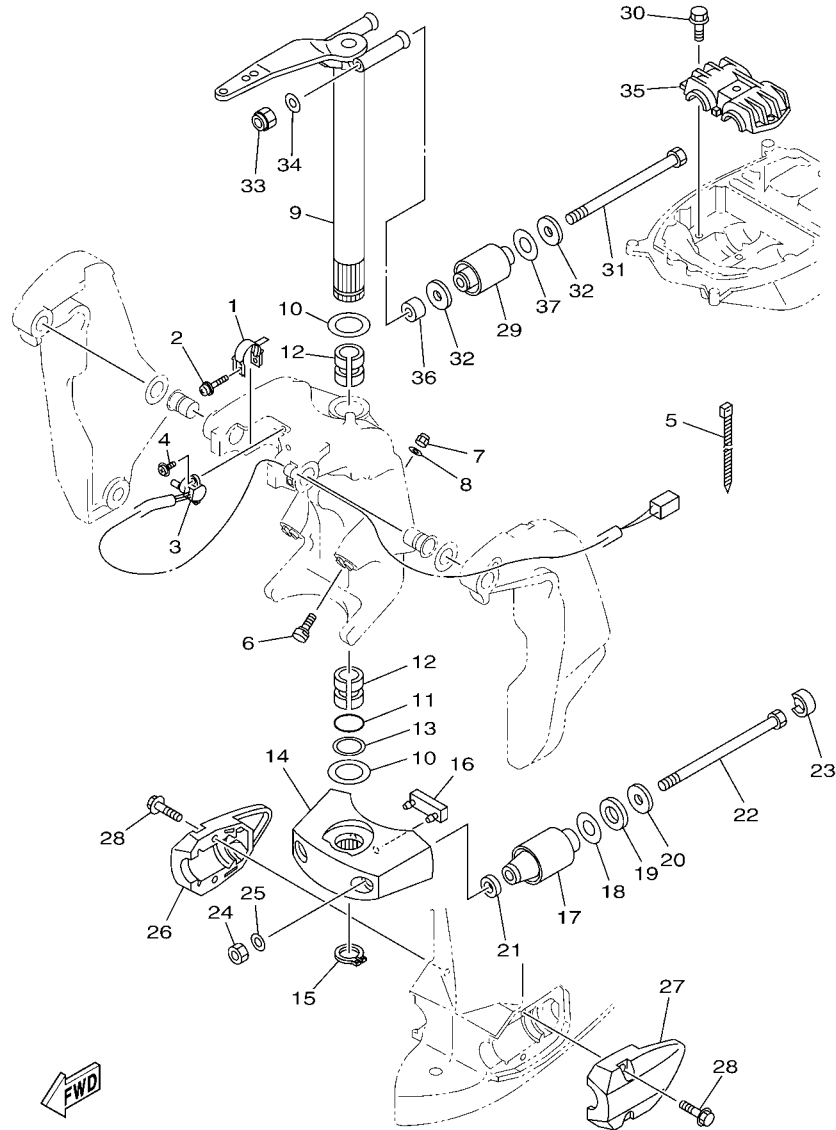


FIG. 22 BRACKET 1

SOPORTE 1

| REF. NO. | PART NO. CODIGO Nº | DESCRIPTION DESCRIPCION | 6BM7 | 6BN7 | REMARKS OBSERVACIONES |
|----------|--------------------|--|------|------|-----------------------|
| 28 | 66K-82149-00 | WIRE, LEAD 3 CABLE CONDUCTOR 3 | 1 | 1 | |
| 29 | 6G5-43144-00 | HOOK, SPRING GANCHO | 1 | 1 | |
| 30 | 97095-06010 | BOLT PERNO | 1 | 1 | |
| 31 | 6G5-43181-02 | LEVER, TILT STOP 1 PALANCA TOPE INCLINACION 1 | 1 | 1 | |
| 32 | 6G5-43185-02 | LEVER, TILT STOP 2 PALANCA TOPE INCLINACION 2 | 1 | 1 | |
| 33 | 90386-10M16 | BUSH BUJE | 3 | 3 | |
| 34 | 6G5-43148-00 | COLLAR, DISTANCE COLLAR | 2 | 2 | |
| 35 | 90249-06M19 | PIN PASADOR | 1 | 1 | |
| 36 | 90387-10M05 | COLLAR ESPACIADOR | 1 | 1 | |
| 37 | 91690-30020 | PIN, SPRING PASADOR DE RESORTE | 2 | 2 | |
| 38 | 90506-16003 | SPRING, TENSION RESORTE DE TENSION | 1 | 1 | |
| 39 | 64E-43126-10 | PIN, UPPER SHOCK MOUNT PASADOR DE AMORTIGUADOR SUPERIOR | 1 | 1 | |
| 40 | 90386-22M98 | BUSH BUJE | 4 | 4 | |
| 41 | 93410-22M11 | CIRCLIP SEGURO | 2 | 2 | |
| 42 | 95895-06010 | BOLT, FLANGE TORNILLO DE REBORDE | 1 | 1 | |
| 43 | 90101-12M05 | BOLT (L:130MM) TORNILLO (L:130MM) | 4 | 4 | |
| 44 | 90201-13M01 | WASHER, PLATE ARANDELA PLANA | 8 | 8 | |
| 45 | 90201-12426 | WASHER, PLATE ARANDELA PLANA | 4 | 4 | |
| 46 | 95380-12600 | NUT TUERCA | 8 | 8 | |



63PB100-M230

FIG. 23 BRACKET 2

SOPORTE 2

| REF. NO. | PART NO. CODIGO Nº | DESCRIPTION DESCRIPCION | 6BM7 | 6BN7 | REMARKS OBSERVACIONES |
|----------|--------------------|--|------|------|-----------------------|
| 1 | 64E-43139-10 | CAM, TRIM SENDER LEVA TRANSMISOR DE INCLINDOR | 1 | 1 | |
| 2 | 90159-05059 | SCREW, WITH WASHER TORNILLO CON VALONA | 1 | 1 | |
| 3 | 67H-83672-01 | TRIM SENDER TRANSMISOR DE INCLINADOR | 1 | 1 | |
| 4 | 97985-06216 | SCREW, WITH WASHER TORNILLO, CON ARANDELA | 2 | 2 | |
| 5 | 90465-11M10 | CLAMP BRIDA | 3 | 3 | |
| 6 | 63P-43376-00 | BOLT, THRUST RECEIVER TORNILLO RECEPTOR | 2 | 2 | |
| 7 | 95780-10300 | NUT, FLANGE TUERCA | 2 | 2 | |
| 8 | 92995-10600 | WASHER ARANDELA | 2 | 2 | |
| 9 | 66K-42510-02-8D | STEERING BRACKET ASSY SOPORTE DIRECCION COMPL. | 1 | 1 | |
| 10 | 90201-38M60 | WASHER, PLATE ARANDELA PLANA | 2 | 2 | |
| 11 | 93210-37MH7 | O-RING ANILLO O | 1 | 1 | |
| 12 | 90386-38M32 | BUSH BUJE | 2 | 2 | |
| 13 | 90202-40M47 | WASHER, PLATE ARANDELA DE PLANA | 1 | 1 | |
| 14 | 68V-44551-00-8D | HOUSING, LOWER MOUNT RUBBER 1 CAJA AMORTIGUADOR INFERIOR HU | 1 | 1 | |
| 15 | 93410-37M04 | CIRCLIP SEGURO | 1 | 1 | |
| 16 | 61A-44575-00 | DAMPER, LOWER MOUNT RUBBER AMORTIGUADOR INFERIOR | 1 | 1 | |
| 17 | 63P-44555-00 | MOUNT DAMPER, LOWER SIDE AMORTIGUADOR DE HULE LADO INFE | 2 | 2 | X(25.3") X(25.3") |
| 18 | 90201-35008 | WASHER, PLATE ARANDELA PLANA | 2 | 2 | |
| 19 | 90202-32M19 | WASHER, PLATE ARANDELA DE PLANA | 2 | 2 | |
| 20 | 90201-16M55 | WASHER, PLATE ARANDELA PLANA | 2 | 2 | |
| 21 | 90201-15M58 | WASHER, PLATE ARANDELA PLANA | 2 | 2 | |
| 22 | 90109-14007 | BOLT PERNO | 2 | 2 | |
| 23 | 69J-44533-00 | DAMPER, UPPER MOUNT RUBBER AMORTIGUADOR SUPERIOR | 2 | 2 | |
| 24 | 95380-14600 | NUT TUERCA | 2 | 2 | |
| 25 | 92995-14600 | WASHER ARANDELA | 2 | 2 | |
| 26 | 63P-44553-00-8D | COVER, LOWER MOUNT CUBIERTA,AMORTIGUADOR INFERIOR | 1 | 1 | |
| 27 | 63P-44556-00-8D | COVER, LOWER MOUNT 2 CUBIERTA,AMORTIGUADOR INFERIOR | 1 | 1 | |

63PB100-M230

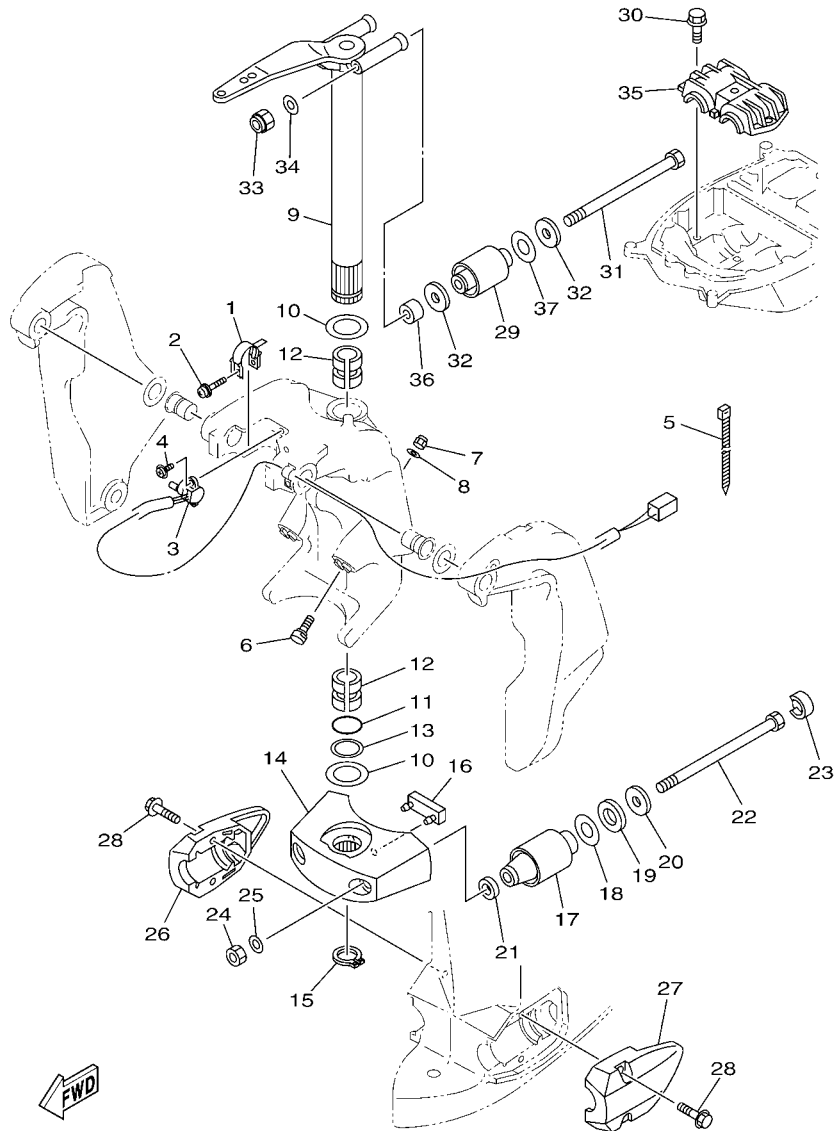



FIG. 23 BRACKET 2

SOPORTE 2

| REF. NO. | PART NO. CODIGO Nº | DESCRIPTION DESCRIPCION | 6BM7 | 6BN7 | REMARKS OBSERVACIONES |
|----------|--------------------|--|------|------|-----------------------|
| 28 | 97575-10540 | BOLT, WITH WASHER PERNO CON ARANDELA | 4 | 4 | |
| 29 | 63P-44514-00 | MOUNT DAMPER, UPPER SIDE AMORTIGUADOR LADO SUPERIOR | 2 | 2 | |
| 30 | 90119-10024 | BOLT, WITH WASHER TORNILLO CON ARANDELA | 3 | 3 | |
| 31 | 90109-14005 | BOLT PERNO | 2 | 2 | |
| 32 | 90201-16M01 | WASHER, PLATE ARANDELA PLANA | 4 | 4 | |
| 33 | 90185-14M00 | NUT, SELF-LOCKING TUERCA AUTOBLOCANTE | 2 | 2 | |
| 34 | 92995-14600 | WASHER ARANDELA | 2 | 2 | |
| 35 | 63P-44511-00 | COVER, UPPER MOUNT CUBIERTA AMORTIGUADOR SUPERIOR | 1 | 1 | |
| 36 | 90387-14004 | COLLAR ESPACIADOR | 2 | 2 | |
| 37 | 90202-28001 | WASHER, PLATE ARANDELA DE PLANA | 2 | 2 | |
| ----- | | | | | |
| ----- | | | | | |
| ----- | | | | | |
| ----- | | | | | |
| ----- | | | | | |

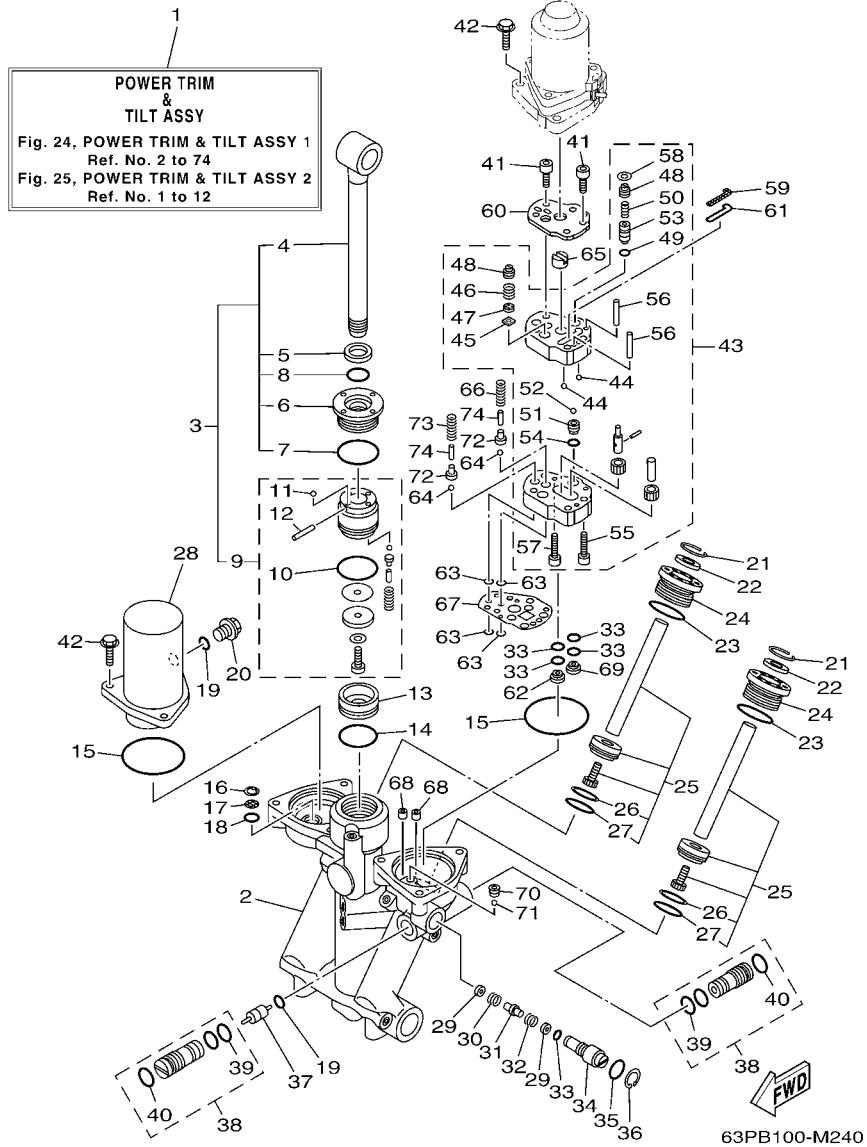


FIG. 24 POWER TRIM & TILT ASSY 1 COMPONER Y PODER VARILLA 1

| REF. NO. | PART NO. CODIGO N° | DESCRIPTION DESCRIPCION | 6BM7 | 6BN7 | REMARKS OBSERVACIONES |
|----------|--------------------|--|------|------|-----------------------|
| 1 | 63P-43800-10 | POWER TRIM & TILT ASSY ELEVADOR HIDRAULICO COMPL. | 1 | 1 | |
| 2 | 63P-4380L-10 | HOUSING, TRIM & TILT SUB ASSY CAJA, INCLINACION Y ADRNO | 1 | 1 | |
| 3 | 63P-43810-10 | TILT PISTON SUB ASSY ELEVADOR SUB-PISTON COMPL. | 1 | 1 | |
| 4 | 63P-43801-10 | .ROD .VALILLA COMPL INCLINACION | 1 | 1 | |
| 5 | 93106-19N50 | .OIL SEAL .SELLO ACEITE | 1 | 1 | |
| 6 | 63P-43811-10 | .SCREW, CYLINDER END .TORNILLO CILINDRO EXTREMO | 1 | 1 | |
| 7 | 6H1-43861-00 | .O-RING .ANILLO EN O 1 | 1 | 1 | |
| 8 | 63P-43863-10 | .O-RING .ANILLO EN O 3 | 1 | 1 | |
| 9 | 63P-4380P-10 | .PISTON SUB ASSY .SUB-PISTON COMPL | 1 | 1 | |
| 10 | 6H1-43862-00 | .O-RING .ANILLO EN O 2 | 1 | 1 | |
| 11 | 93505-32038 | .BALL .BOLA | 1 | 1 | |
| 12 | 91609-16012 | .PIN, SPRING .PASADOR DE RESORTE | 1 | 1 | |
| 13 | 63P-43814-10 | PISTON, FREE PISTON LIBRE | 1 | 1 | |
| 14 | 6H1-43862-00 | O-RING ANILLO EN O 2 | 1 | 1 | |
| 15 | 93210-68N50 | O-RING ANILLO O | 2 | 2 | |
| 16 | 63P-43876-10 | RING, SNAP ANILLO | 1 | 1 | |
| 17 | 63P-43816-10 | FILTER 1 FILTRO 1 | 1 | 1 | |
| 18 | 93210-11N52 | O-RING ANILLO O | 1 | 1 | |
| 19 | 93210-09165 | O-RING ANILLO O | 2 | 2 | |
| 20 | 63P-43829-10 | PLUG, RESERVOIR TAPON DEPOSITO | 1 | 1 | |
| 21 | 63P-43875-10 | RING, SNAP ANILLO | 2 | 2 | |
| 22 | 6H1-43822-10 | SEAL, TRIM DUST SELLO DE POLVO | 2 | 2 | |
| 23 | 63P-43862-10 | O-RING ANILLO EN O 2 | 2 | 2 | |
| 24 | 63P-43821-10 | SCREW, TRIM CYLINDER END TORNILLO CILINDURO EXTREMO | 2 | 2 | |
| 25 | 63P-43820-10 | TRIM PISTON SUB ASSY ELEVADOR PISTON COMPL. | 2 | 2 | |
| 26 | 62X-43871-00 | .RING, BACK UP .ANILLO | 1 | 1 | |
| 27 | 93210-29375 | .O-RING .ANILLO O | 1 | 1 | |

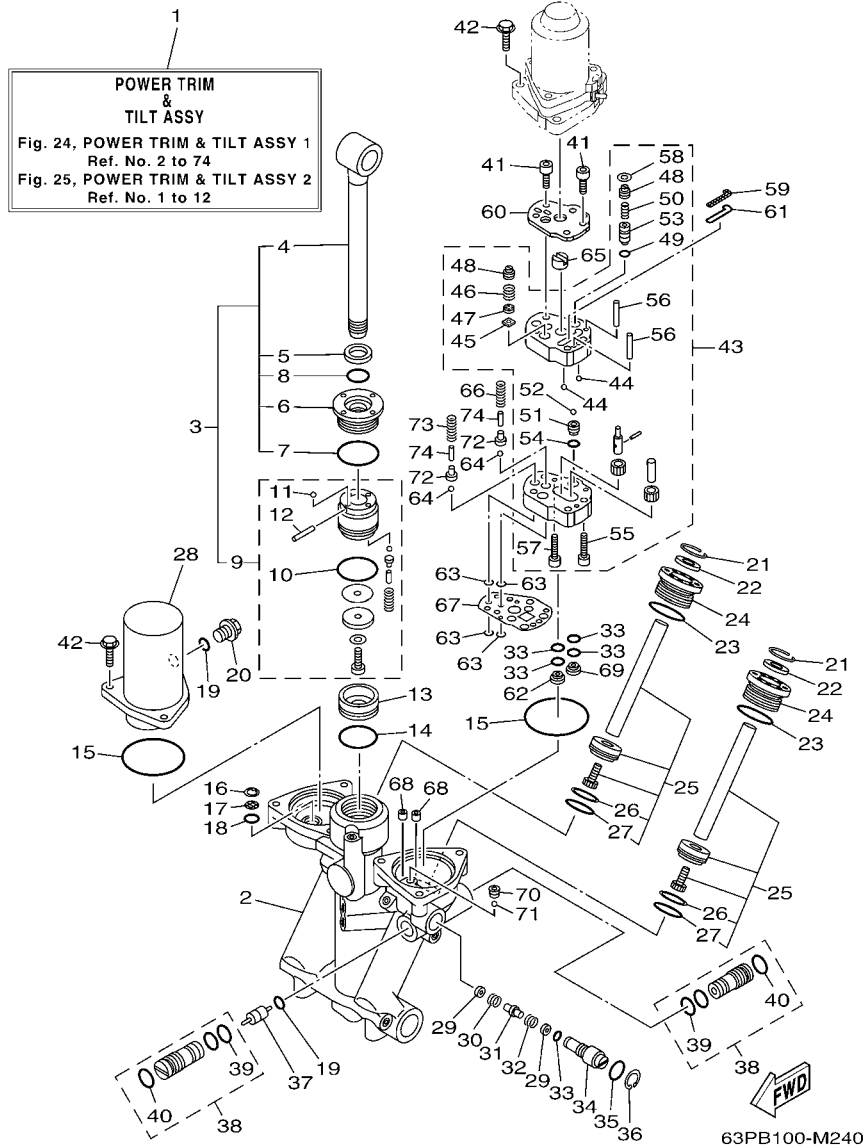


FIG. 24 POWER TRIM & TILT ASSY 1 COMPONER Y PODER VARILLA 1

| REF. NO. | PART NO. CODIGO Nº | DESCRIPTION DESCRIPCION | 6BM7 | 6BN7 | REMARKS OBSERVACIONES |
|----------|--------------------|---|------|------|-----------------------|
| 28 | 63P-43828-10 | BODY, RESERVOIR CUERPO DEPOSITO | 1 | 1 | |
| 29 | 63P-43847-10 | SEAT, MANUAL VALVE ASIENTO VALVULA MANUAL | 2 | 2 | |
| 30 | 63P-43854-10 | SPRING, MANUAL RELEASE RESORTE DESCOPLO MANUAL | 1 | 1 | |
| 31 | 63P-4382A-10 | ADAPTOR 1 ADAPTADOR 1 | 1 | 1 | |
| 32 | 63P-4384H-10 | SPRING RESORTE | 1 | 1 | |
| 33 | 69J-4389J-00 | O-RING ANILLO O | 5 | 5 | |
| 34 | 63P-43845-10 | SCREW, MANUAL RELEASE TORNILLO DESCOPLO MANUAL | 1 | 1 | |
| 35 | 93210-18397 | O-RING ANILLO O | 1 | 1 | |
| 36 | 6H1-43875-00 | RING, SNAP ANILLO | 1 | 1 | |
| 37 | 6H1-43841-11 | PISTON, SHUTTLE PISTON | 1 | 1 | |
| 38 | 63P-43802-10 | VALVE SUB ASSY VALVULA PRINCIPAL COMPL. | 2 | 2 | |
| 39 | 93210-12N52 | O-RING ANILLO O | 1 | 1 | |
| 40 | 6H1-43866-01 | O-RING ANILLO EN O 6 | 1 | 1 | |
| 41 | 91318-05040 | BOLT TORNILLO | 4 | 4 | |
| 42 | 97595-06625 | BOLT, WITH WASHER PERNO CON ARANDELA | 6 | 6 | |
| 43 | 63P-43830-10 | GEAR PUMP ASSY ENGRANAJE BOMBA COMPL. | 1 | 1 | |
| 44 | 93503-16003 | .BALL .ESFERA | 2 | 2 | |
| 45 | 6H1-4384G-11 | .SEAL, RELIEF VALVE .ASIENTO | 1 | 1 | |
| 46 | 6H1-43856-10 | .SPRING, DOWN RELIEF .RESORTE SEGURIDAD | 1 | 1 | |
| 47 | 6H1-43844-10 | .PIN, VALVE SUPPORT .PASADOR VALVULA SOPORTE | 1 | 1 | |
| 48 | 63P-43843-10 | .SCREW, VALVE LOCK .TORNILLO | 2 | 2 | |
| 49 | 93210-064A5 | O-RING ANILLO O | 1 | 1 | |
| 50 | 69J-43855-00 | SPRING, UP RELIEF RESORTE SEGURIDAD SUPERIOR | 1 | 1 | |
| 51 | 63P-43851-10 | .SEAT, RELIEF VALVE .ASIENTO VALVULA DE DESCARGA | 1 | 1 | |
| 52 | 93501-08001 | .BALL .BOLA | 1 | 1 | |
| 53 | 6CJ-43844-00 | .PIN, VALVE SUPPORT .PASADOR VALVULA SOPORTE | 1 | 1 | |
| 54 | 93210-07N51 | O-RING ANILLO O | 1 | 1 | |

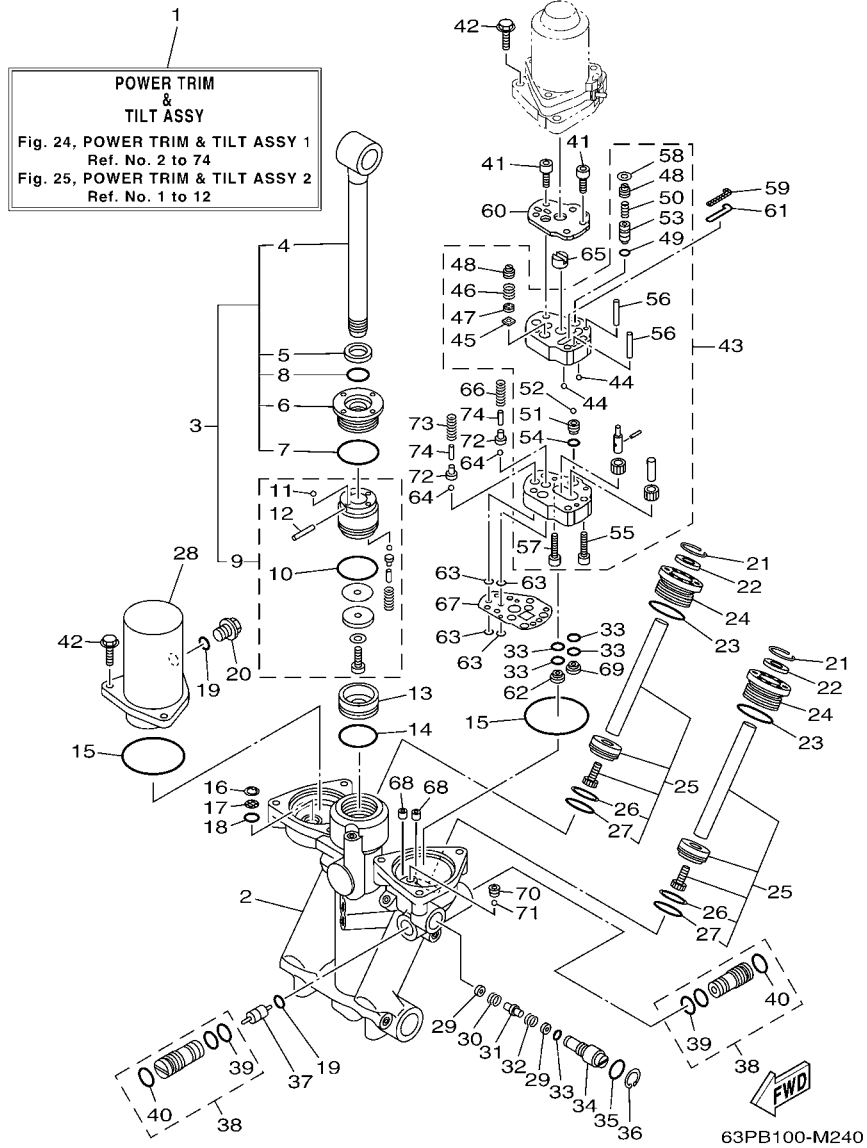


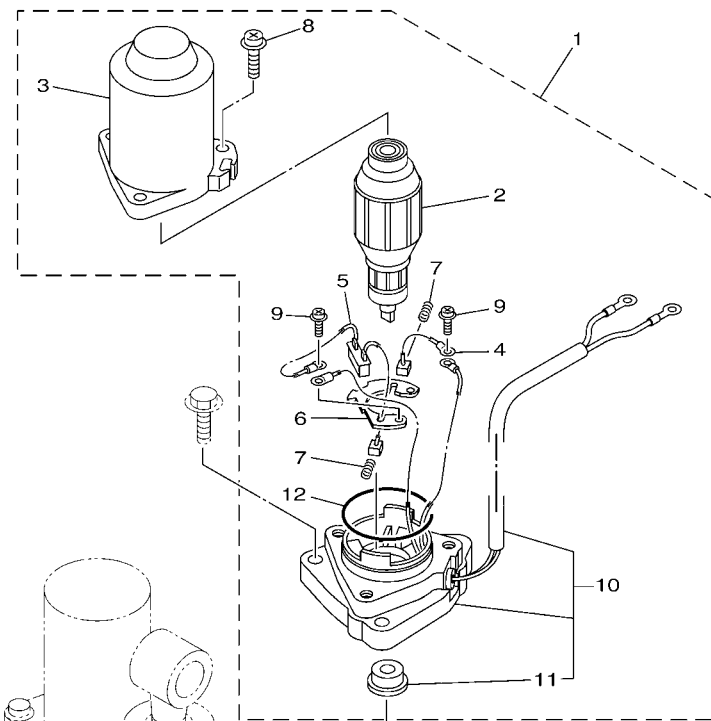
FIG. 24 POWER TRIM & TILT ASSY 1

COMPONER Y PODER VARILLA 1

| REF. NO. | PART NO. CODIGO N° | DESCRIPTION DESCRIPCION | 6BM7 | 6BN7 | REMARKS OBSERVACIONES |
|----------|--------------------|---|------|------|-----------------------|
| 55 | 91318-04025 | .BOLT .TORNILLO | 1 | 1 | |
| 56 | 93604-29184 | .PIN, DOWEL .PASADOR DE CLAVIJA | 2 | 2 | |
| 57 | 91318-05025 | .BOLT .TORNILLO | 1 | 1 | |
| 58 | 63P-43338-10 | .WASHER, WAVE .ARANDELA ONDULADA | 1 | 1 | |
| 59 | 6CJ-43816-00 | FILTER 1 FILTRO 1 | 1 | 1 | |
| 60 | 63P-4381J-10 | PLATE PLACA | 1 | 1 | |
| 61 | 62Y-43871-00 | RING, BACK UP ANILLO | 1 | 1 | |
| 62 | 69J-43899-01 | PLATE STOPPER PLACA | 1 | 1 | |
| 63 | 93210-064A5 | O-RING ANILLO O | 4 | 4 | |
| 64 | 93501-08001 | BALL BOLA | 2 | 2 | |
| 65 | 69J-43831-00 | CONNECTOR, SHAFT CONEXION EJE | 1 | 1 | |
| 66 | 63P-4385H-10 | SPRING, SEAL RESORTE | 1 | 1 | |
| 67 | 63P-4384G-10 | SEAL, RELIEF VALVE ASIENTO | 1 | 1 | |
| 68 | 63P-4388H-10 | PLUG TAPON | 2 | 2 | |
| 69 | 63P-43899-10 | PLATE STOPPER PLACA | 1 | 1 | |
| 70 | 61A-43878-00 | BOLT, SOCKET TORNILLO ENCASTRE | 1 | 1 | |
| 71 | 93505-32038 | BALL BOLA | 1 | 1 | |
| 72 | 65W-4386A-00 | PIN, ABSORBER VALVE PASADOR VALVULA ABSORBER | 2 | 2 | |
| 73 | 63P-43857-10 | SPRING, ABSORBER VALVE RESORTE | 1 | 1 | |
| 74 | 688-4386F-00 | PIN, STRAIGHT ANILLO | 2 | 2 | |

FIG. 25 POWER TRIM & TILT ASSY 2

COMPONER Y PODER VARILLA 2

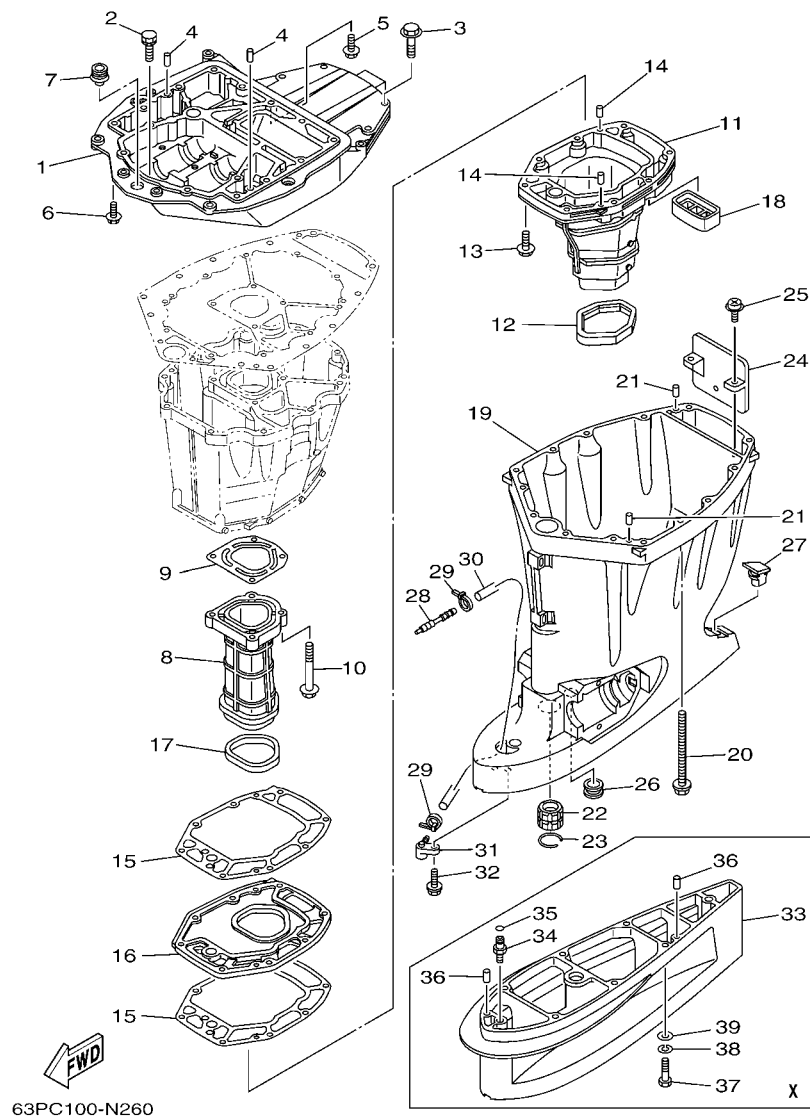


63P9110-L240

| REF. NO. | PART NO. CODIGO Nº | DESCRIPTION DESCRIPCION | 6BM7 | 6BN7 | REMARKS OBSERVACIONES |
|----------|--------------------|---|------|------|-----------------------|
| 1 | 63P-43880-10 | MOTOR ASSY MOTOR COMPL. | 1 | 1 | |
| 2 | 63P-43805-10 | .ARMATURE ASSY .INDUCIDO COMPL. | 1 | 1 | |
| 3 | 63P-43804-10 | .STATOR ASSY .ESTATOR COMPL | 1 | 1 | |
| 4 | 63P-43892-10 | .BRUSH 2 .ESCOBILLA 2 | 1 | 1 | |
| 5 | 63P-82181-10 | .CIRCUIT BREAKER COMP. .RUPTOR DE CIRCUITO COMPL | 1 | 1 | |
| 6 | 63P-4380F-10 | .PLATE, BRUSH HOLDER .PLACA | 1 | 1 | |
| 7 | 62X-4386K-00 | .SPRING, BRUSH .RESORTE, ESCOBILLA | 2 | 2 | |
| 8 | 63P-43879-10 | .SCREW, WITH WASHER .TORNILLO CON RONDANA | 3 | 3 | |
| 9 | 97602-04316 | .SCREW, PAN HEAD WITH WASHER .TORNILLO CON RONDONA | 2 | 2 | |
| 10 | 63P-43881-10 | .FRAME, END .CUADRO EXTERMO | 1 | 1 | |
| 11 | 93102-08414 | ..OIL SEAL ..SELLO ACEITE | 1 | 1 | |
| 12 | 93210-554A9 | .O-RING .ANILLO O | 1 | 1 | |
| | | | | | |
| | | | | | |
| | | | | | |
| | | | | | |
| | | | | | |

FIG. 26 UPPER CASING

FUNDA SUPERIOR



63PC100-N260

| REF. NO. | PART NO. CODIGO Nº | DESCRIPTION DESCRIPCION | 6BM7 | 6BN7 | REMARKS OBSERVACIONES |
|----------|--------------------|---|------|------|-----------------------|
| 1 | 63P-41137-04-CA | GUIDE, EXHAUST GUIA DE ESCAPE | 1 | 1 | |
| 2 | 90119-08102 | BOLT, WITH WASHER TORNILLO CON ARANDELA | 2 | 2 | |
| 3 | 97575-10545 | BOLT, WITH WASHER PERNO CON ARANDELA | 4 | 4 | |
| 4 | 93608-16M16 | PIN, DOWEL PASADOR DE CLAVIJA | 2 | 2 | |
| 5 | 90119-08M58 | BOLT, WITH WASHER TORNILLO CON ARANDELA | 3 | 3 | |
| 6 | 97575-10535 | BOLT, WITH WASHER PERNO CON ARANDELA | 4 | 4 | |
| 7 | 6E5-42724-00 | GROMMET TAPON | 1 | 1 | |
| 8 | 63P-41131-01-9S | MANIFOLD, EXT. 1 TUBO MULTIPLE DE ESCAPE | 1 | 1 | |
| 9 | 63P-41133-A0 | GASKET, EXHAUST MANIFOLD 1 EMPAQUE ESCAPE MULTIPLE | 1 | 1 | |
| 10 | 97575-08560 | BOLT, WITH WASHER PERNO CON ARANDELA | 4 | 4 | |
| 11 | 63P-14711-01-9S | MUFFLER 1 SILENCIADOR 1 | 1 | 1 | |
| 12 | 69J-45123-00 | GASKET, MUFFLER EMPAQUE SILENCIADOR | 1 | 1 | |
| 13 | 97575-08535 | BOLT, WITH WASHER PERNO CON ARANDELA | 8 | 8 | |
| 14 | 93606-19M23 | PIN, DOWEL PASADOR DE CLAVIJA | 2 | 2 | |
| 15 | 63P-41134-A1 | GASKET, EXHAUST MANIFOLD EMPAQUE | 2 | 2 | |
| 16 | 63P-45181-01-9S | PLATE PLACA | 1 | 1 | |
| 17 | 63P-41138-00 | SEAL, EXT. 1 SELLO, ESCAPE 1 | 1 | 1 | |
| 18 | 69J-45127-00 | SEAL SELLO DE GOMA | 1 | 1 | |
| 19 | 63P-45111-00-8D | CASING, UPPER CAJA SUPERIOR | 1 | 1 | |
| 20 | 90119-10007 | BOLT, WITH WASHER TORNILLO CON ARANDELA | 8 | 8 | |
| 21 | 93608-16M16 | PIN, DOWEL PASADOR DE CLAVIJA | 2 | 2 | |
| 22 | 6E5-45318-00 | BUSHING, DRIVE SHAFT BUJE, EJE DE MANDO | 1 | 1 | |
| 23 | 93420-36M01 | CIRCLIP SEGURO | 1 | 1 | |
| 24 | 69J-14624-01 | COVER, EXHAUST CUBIERTA ESCAPE | 1 | 1 | |
| 25 | 97980-06216 | SCREW, WITH WASHER TORNILLO, CON ARANDELA | 2 | 2 | |
| 26 | 6E5-44366-00 | DAMPER, WATER SEAL 2 GOMA DEL SELLO DE AGUA 2 | 1 | 1 | |
| 27 | 6C5-45155-00 | CAP TAPA | 1 | 1 | |

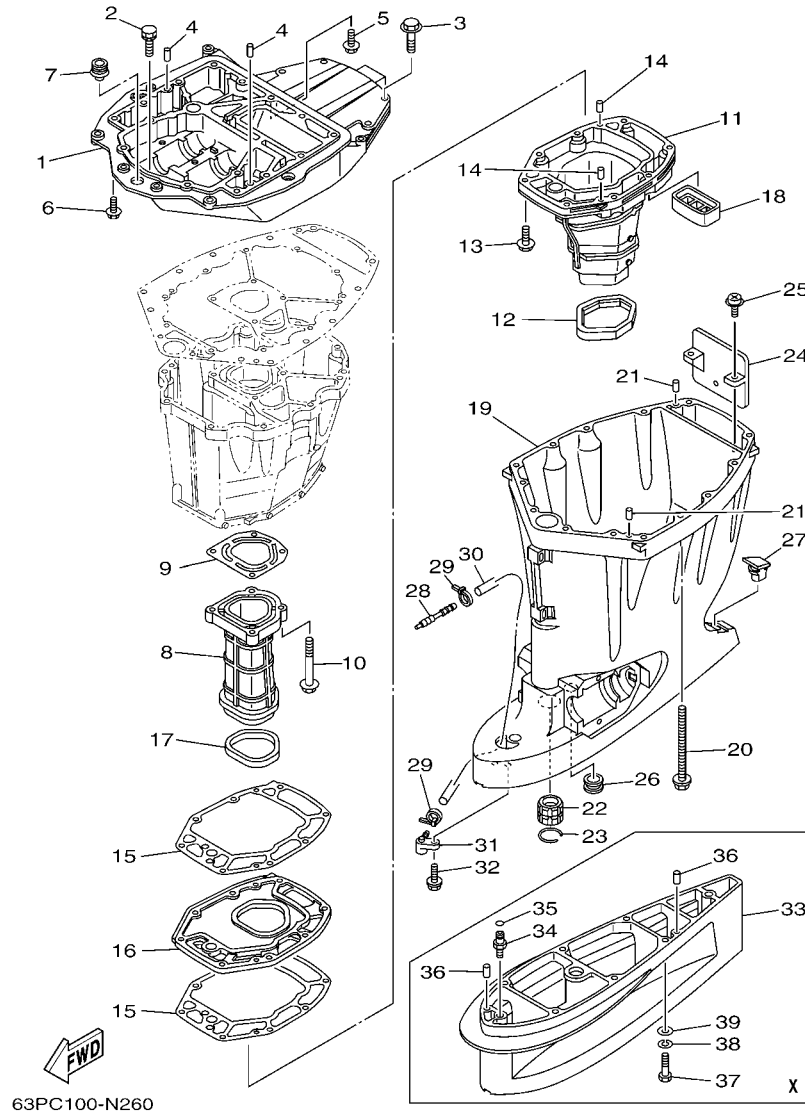


FIG. 26 UPPER CASING

FUNDA SUPERIOR

| REF. NO. | PART NO. CODIGO Nº | DESCRIPTION DESCRIPCION | 6BM7 | 6BN7 | REMARKS OBSERVACIONES |
|----------|--------------------|--|------|------|-----------------------|
| 28 | 6E5-83558-00 | END, NIPPLE EXTREMO DE NIPLE | 1 | 1 | |
| 29 | 90465-11M10 | CLAMP BRIDA | 2 | 2 | |
| 30 | 90445-070F1 | HOSE (L950) TUBO (L950) | 1 | 1 | |
| 31 | 63P-45379-00 | NIPPLE, HOSE NIPLE DE MANGUERA | 1 | 1 | |
| 32 | 90119-06M18 | BOLT, WITH WASHER TORNILLO CON ARANDELA | 1 | 1 | |
| 33 | 6BM-45211-00-8D | EXTENSION EXTENSION | 1 | 1 | X(25.3") X(25.3") |
| 34 | 63P-45378-00 | NIPPLE, HOSE NIPLE MANGUERA | 1 | 1 | X(25.3") X(25.3") |
| 35 | 93210-07003 | O-RING ANILLO O | 1 | 1 | X(25.3") X(25.3") |
| 36 | 93608-16M16 | PIN, DOWEL PASADOR DE CLAVIJA | 2 | 2 | X(25.3") X(25.3") |
| 37 | 97095-10045 | BOLT PERNO | 6 | 6 | X(25.3") X(25.3") |
| 38 | 92995-10100 | WASHER ARANDELA | 6 | 6 | X(25.3") X(25.3") |
| 39 | 92995-10600 | WASHER ARANDELA | 6 | 6 | X(25.3") X(25.3") |

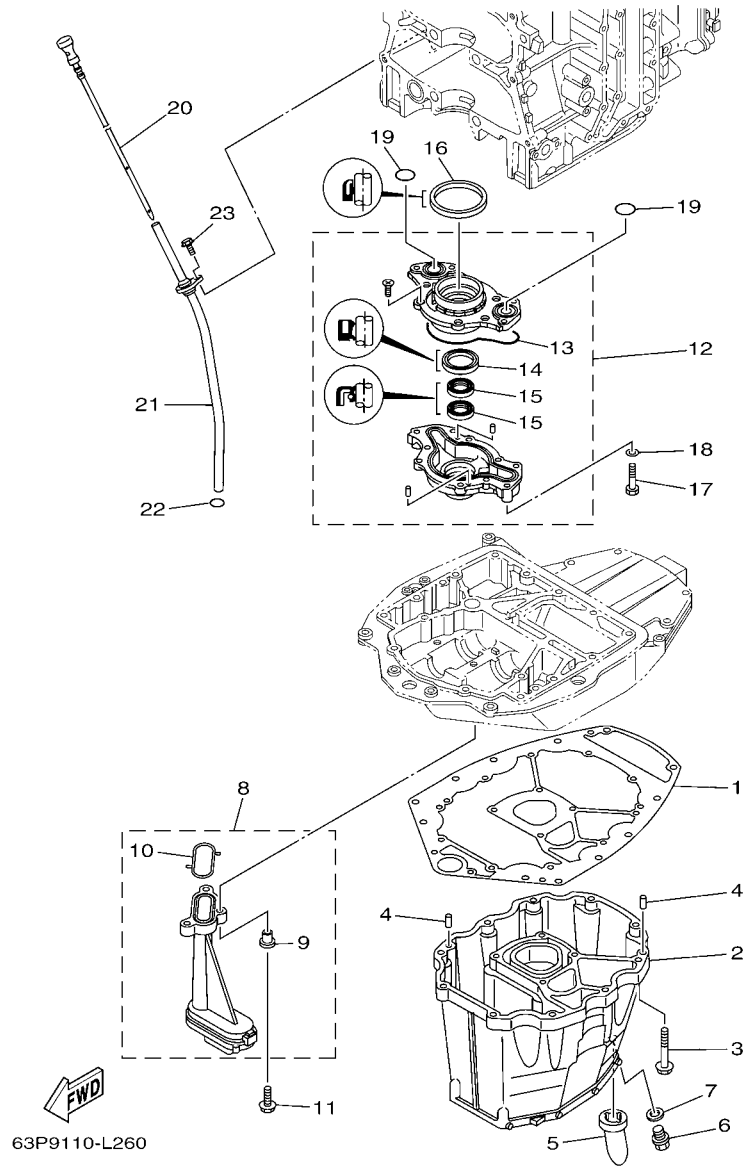


FIG. 27 OIL PAN

OIL PAN

| REF. NO. | PART NO. CODIGO Nº | DESCRIPTION DESCRIPCION | 6BM7 | 6BN7 | REMARKS OBSERVACIONES |
|----------|--------------------|---|------|------|-----------------------|
| 1 | 63P-15312-01 | GASKET, OIL PAN EMPAQ BANDEJA DE ACEITE | 1 | 1 | |
| 2 | 63P-15311-02-CA | OIL PAN BANDEJA DE ACEITE | 1 | 1 | |
| 3 | 97575-08535 | BOLT, WITH WASHER PERNO CON ARANDELA | 10 | 10 | |
| 4 | 93608-16M16 | PIN, DOWEL PASADOR DE CLAVIJA | 2 | 2 | |
| 5 | 63P-15316-00 | DAMPER 1 AMORTIGUADOR 1 | 1 | 1 | |
| 6 | 90340-14M06 | PLUG, STRAIGHT SCREW TORNILLO, DE DRENAJE | 1 | 1 | |
| 7 | 90430-14M09 | GASKET JUNTA | 1 | 1 | |
| 8 | 63P-13411-00 | STRAINER, OIL FILTRO DE ACEITE | 1 | 1 | |
| 9 | 90387-06263 | .COLLAR .ESPACIADOR | 3 | 3 | |
| 10 | 63P-13415-00 | .SEAL, OIL STRAINER .SELLO COLADOR ACEITE | 1 | 1 | |
| 11 | 95812-06025 | BOLT, FLANGE TORNILLO DE REBORDE | 3 | 3 | |
| 12 | 63P-13300-02 | OIL PUMP ASSY BOMBA DE ACEITE COMPLETA | 1 | 1 | |
| 13 | 63P-13329-00 | .GASKET, PUMP COVER .EMPAQUE TAPA DE BOMBA | 1 | 1 | |
| 14 | 6AW-13119-00 | .OIL SEAL .SELLO ACEITE | 1 | 1 | |
| 15 | 69J-13631-00 | .OIL SEAL .SELLO ACEITE | 2 | 2 | |
| 16 | 69J-11355-00 | SEAL, CYLINDER 1 RETEN ACEITE CILINDRO 1 | 1 | 1 | |
| 17 | 97095-06040 | BOLT PERNO | 4 | 4 | |
| 18 | 92995-06600 | WASHER ARANDELA | 4 | 4 | |
| 19 | 93210-25552 | O-RING ANILLO O | 2 | 2 | |
| 20 | 63P-15362-10 | PLUG, OIL LEVEL TAPON DEL NIVEL DE ACEITE | 1 | 1 | |
| 21 | 63P-15377-10 | GUIDE, INLET GUIA DE ENTRADA | 1 | 1 | |
| 22 | 93210-19MJ3 | O-RING ANILLO O | 1 | 1 | |
| 23 | 95895-06016 | BOLT, FLANGE TORNILLO DE REBORDE | 1 | 1 | |

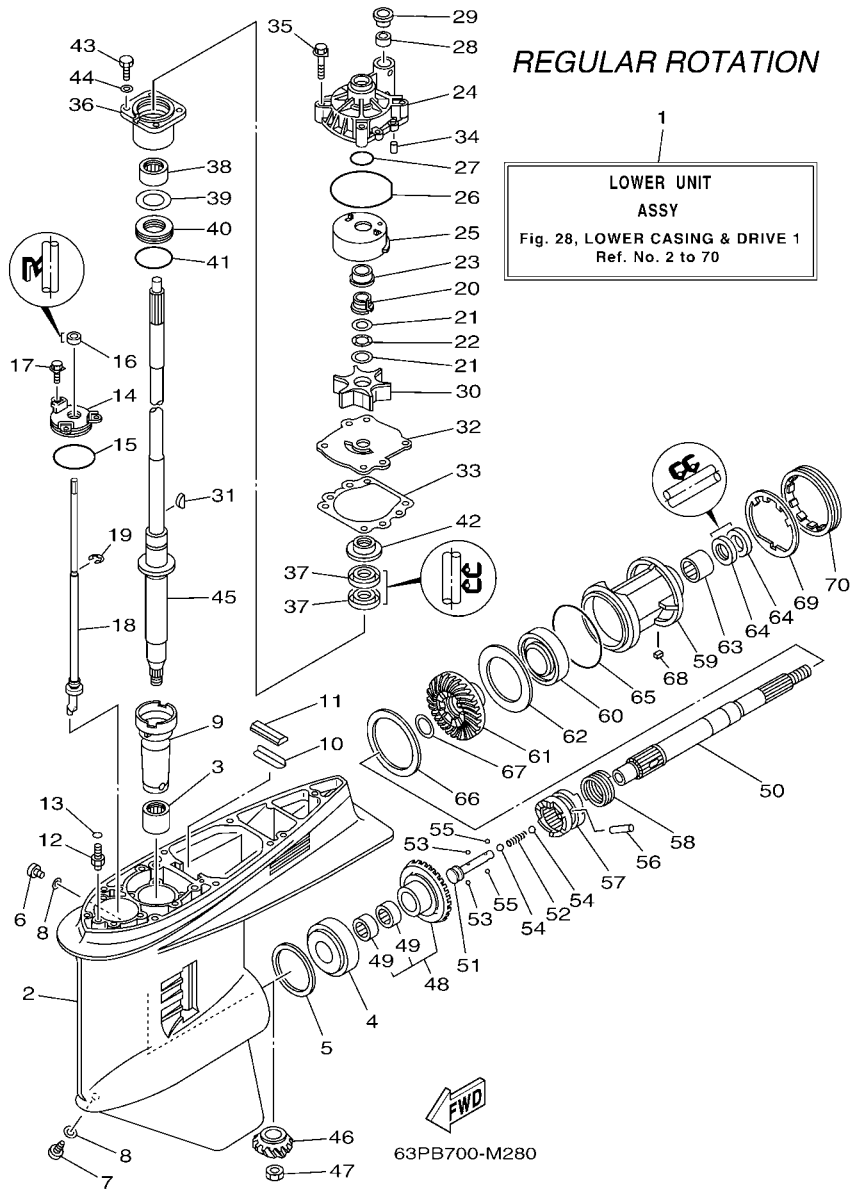


FIG. 28 LOWER CASING & DRIVE 1 IMPULSOR E INFERIOR 1

| REF. NO. | PART NO. CODIGO Nº | DESCRIPTION DESCRIPCION | 6BM7 | 6BN7 | REMARKS OBSERVACIONES |
|--------------|-------------------------------------|--|------|----------|----------------------------|
| 1 | 6BM-45300-11-8D | LOWER UNIT ASSY CONJUNTO UNIDAD INFERIOR | 1 | | X(25.3"),RH X(25.3"),RH |
| 2 | 6BM-45301-01-8D | CASING, LOWER FUNDA INFERIOR COMPLETA | 1 | | |
| 3 | 93311-928U5 | BEARING COJINETE DE RODILLOS | 1 | | |
| 4 | 93332-000V3 | BEARING COJINETE | 1 | | |
| 5 | 6G5-45567-01 | SHIM (T:0.10MM) LAINA (T:0.10MM) | 1 | | UR UR |
| 6G5-45567-10 | SHIM (T:0.12MM) LAINA (T:0.12MM) | 1 | | UR UR | |
| 6G5-45567-20 | SHIM (T:0.15MM) LAINA (T:0.15MM) | 1 | | UR UR | |
| 6G5-45567-30 | SHIM (T:0.18MM) LAINA (T:0.18MM) | 1 | | UR UR | |
| 6G5-45567-40 | SHIM (T:0.30MM) LAINA (T:0.30MM) | 1 | | UR UR | |
| 6G5-45567-50 | SHIM (T:0.40MM) LAINA (T:0.40MM) | 1 | | UR UR | |
| 6G5-45567-60 | SHIM (T:0.50MM) LAINA (T:0.50MM) | 1 | | UR UR | |
| 6 | 90340-08002 | PLUG, STRAIGHT SCREW TORNILLO, DE DRENAJE | 1 | | |
| 7 | 688-45341-10 | PLUG, DRAIN TAPON, DREN | 1 | | |
| 8 | 90430-08020 | GASKET JUNTA | 2 | | |
| 9 | 6G5-45536-01 | SLEEVE, DRIVE SHAFT CAMISA EJE DE MANDO | 1 | | |
| 10 | 663-45376-00 | GUIDE, SEAL DAMPER GUIA DE SELLO GOMA | 1 | | |
| 11 | 688-45375-00 | DAMPER, SEAL GOMA DE SELLO | 1 | | |
| 12 | 63P-45378-00 | NIPPLE, HOSE NIPLE MANGUERA | 1 | | |
| 13 | 93210-07003 | O-RING ANILLO O | 1 | | |
| 14 | 6E5-45321-00 | PLATE PLACA | 1 | | |
| 15 | 93210-58144 | O-RING ANILLO O | 1 | | |
| 16 | 93106-09014 | OIL SEAL SELLO ACEITE | 1 | | |
| 17 | 90119-06M10 | BOLT, WITH WASHER TORNILLO CON ARANDELA | 3 | | |
| 18 | 63P-44150-11 | SHIFT CAM ASSY CONJUNTO EJE LEVA COMPL. | 1 | | X(25.3"),RH X(25.3"),RH |
| 19 | 99001-08600 | CIRCLIP PRESILLA REDONDA | 1 | | |
| 20 | 61A-45538-00 | SPACER 1 ESPACIADOR 1 | 1 | | |
| 21 | 90201-22M01 | WASHER, PLATE ARANDELA PLANA | 2 | | |

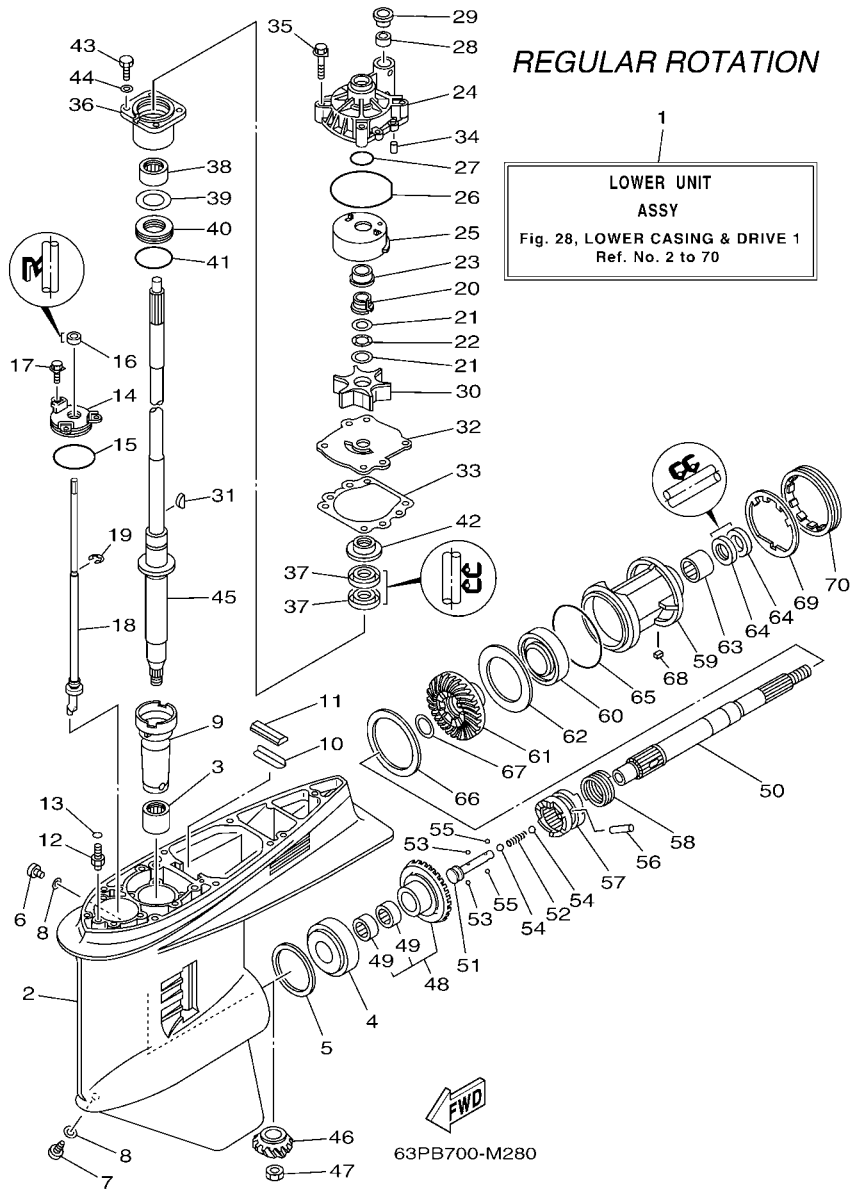


FIG. 28 LOWER CASING & DRIVE 1 IMPULSOR E INFERIOR 1

| REF. NO. | PART NO. CODIGO Nº | DESCRIPTION DESCRIPCION | 6BM7 | 6BN7 | REMARKS OBSERVACIONES |
|----------|--------------------|--|------|------|------------------------------|
| 22 | 90206-22M19 | WASHER, WAVE ARANDELA ONDULADA | 1 | | |
| 23 | 61A-45527-00 | COLLAR, DRIVE SHAFT COLLAR EJE FLECHA DE PROPULSION | 1 | | |
| 24 | 61A-44311-01 | HOUSING, WATER PUMP CAJA BOMBA DE AGUA | 1 | | |
| 25 | 6R3-44322-42 | INSERT, CARTRIDGE CARTUCHO | 1 | | FOR CHROMATE FOR CHROMATE |
| 26 | 93210-86M38 | O-RING ANILLO O | 1 | | |
| 27 | 93210-37160 | O-RING ANILLO O | 1 | | |
| 28 | 6E5-44365-00 | DAMPER, WATER SEAL 1 HULE DE SELLO DE AGUA 1 | 1 | | |
| 29 | 6E5-44312-00 | COVER, WATER PUMP HOUSING CUBIERTA CAJA BOMBA DE AGUA | 1 | | |
| 30 | 6E5-44352-01 | IMPELLER IMPULSOR | 1 | | |
| 31 | 90280-04M05 | KEY, WOODRUFF CUNA WOODRUFF | 1 | | |
| 32 | 6G5-44323-41 | OUTER PLATE, CARTRIDGE PLACA EXTERIOR DEL CARTUCHO | 1 | | FOR CHROMATE FOR CHROMATE |
| 33 | 6E5-44315-A0 | GASKET, WATER PUMP EMPAQUE | 1 | | |
| 34 | 93606-12019 | PIN, DOWEL PASADOR DE CLAVIJA | 2 | | |
| 35 | 90119-08M14 | BOLT, WITH WASHER TORNILLO CON ARANDELA | 4 | | |
| 36 | 6E5-45331-00-9S | HOUSING, BEARING CAJA DE COJINETE | 1 | | |
| 37 | 93101-28M16 | OIL SEAL SELLO ACEITE | 2 | | |
| 38 | 93317-330U2 | BEARING COJINETE | 1 | | |
| 39 | 6E5-45587-01 | SHIM (T:0.10MM) LAINA (T:0.10MM) | 1 | | UR UR |
| | 6E5-45587-10 | SHIM (T:0.12MM) LAINA (T:0.12MM) | 1 | | UR UR |
| | 6E5-45587-20 | SHIM (T:0.15MM) LAINA (T:0.15MM) | 1 | | UR UR |
| | 6E5-45587-30 | SHIM (T:0.18MM) LAINA (T:0.18MM) | 1 | | UR UR |
| | 6E5-45587-40 | SHIM (T:0.30MM) LAINA (T:0.30MM) | 1 | | UR UR |
| | 6E5-45587-50 | SHIM (T:0.40MM) LAINA (T:0.40MM) | 1 | | UR UR |
| | 6E5-45587-60 | SHIM (T:0.50MM) LAINA (T:0.50MM) | 1 | | UR UR |
| 40 | 93341-930V2 | BEARING COJINETES CON RODAMIENTOS | 1 | | |
| 41 | 93210-55M14 | O-RING ANILLO O | 1 | | |
| 42 | 6E5-45344-00 | COVER, OIL SEAL CUBIERTA SELLO ACEITE | 1 | | |

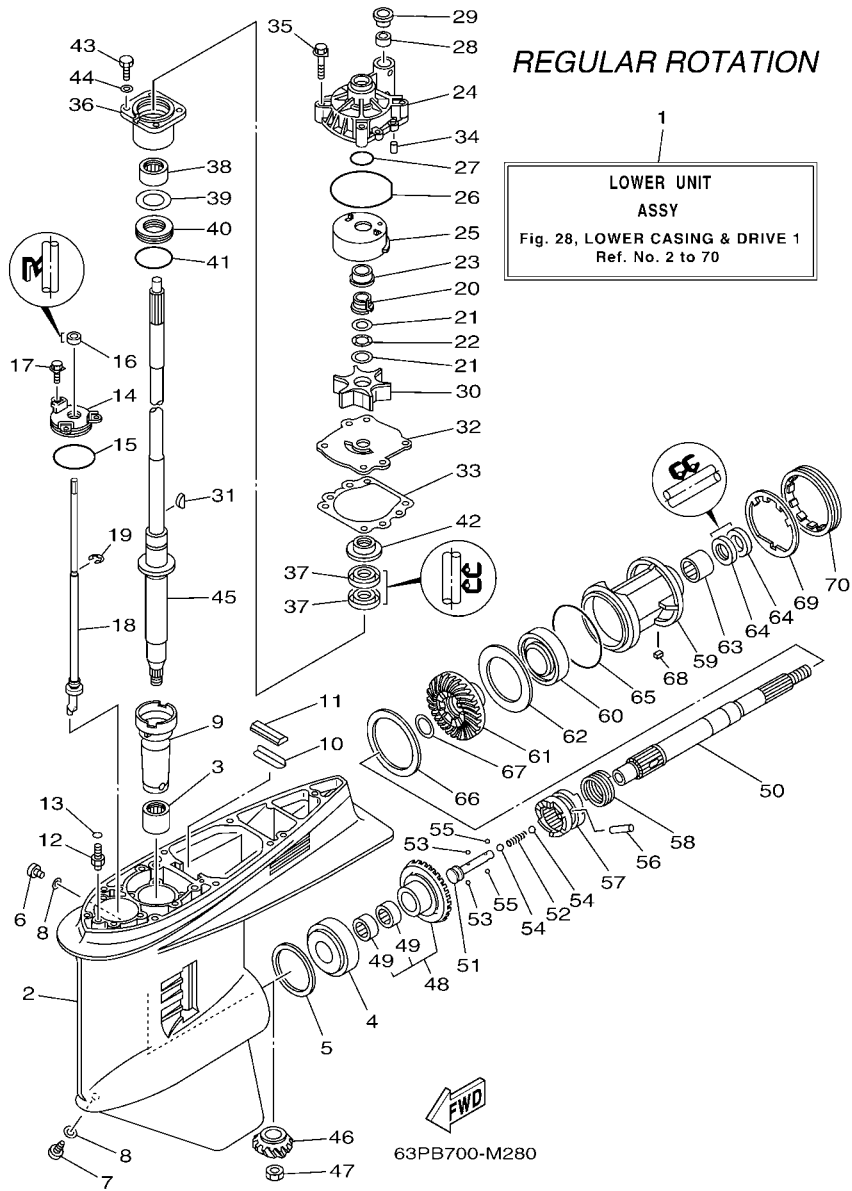


FIG. 28 LOWER CASING & DRIVE 1 IMPULSOR E INFERIOR 1

| REF. NO. | PART NO. CODIGO N° | DESCRIPTION DESCRIPCION | 6BM7 | 6BN7 | REMARKS OBSERVACIONES |
|----------|--------------------|---|------|------|-----------------------|
| 43 | 97095-08025 | BOLT PERNO | 4 | | |
| 44 | 92995-08600 | WASHER ARANDELA | 4 | | |
| 45 | 63P-45501-11 | DRIVE SHAFT COMP. EJE DE MANDO COMPL. | 1 | | X(25.3") X(25.3") |
| 46 | 63P-45551-00 | PINION (14T) PINON (14T) | 1 | | |
| 47 | 90170-16M01 | NUT TUERCA | 1 | | |
| 48 | 6BM-45560-00 | GEAR 1 (28T) ENGRANAJE 1 (28T) | 1 | | |
| 49 | 93315-425V3 | .BEARING .COJINETE DE RODILLOS | 2 | | |
| 50 | 6J9-45611-01 | SHAFT, PROPELLER EJE PROPUSOR | 1 | | |
| 51 | 6E5-45634-02 | SLIDE, SHIFT DESLIZADOR, CAMBIO | 1 | | |
| 52 | 90501-16M37 | SPRING, COMPRESSION RESORTE DE COMPRESION | 1 | | |
| 53 | 93507-32009 | BALL ESFERA | 2 | | |
| 54 | 93511-32017 | BALL ESFERA | 2 | | |
| 55 | 93503-16003 | BALL ESFERA | 2 | | |
| 56 | 90250-08M07 | PIN, STRAIGHT PASADOR CILINDRICO | 1 | | |
| 57 | 6BM-45631-00 | CLUTCH, DOG EMBRAGUE DE GARRA | 1 | | |
| 58 | 6E5-45633-01 | RING, CROSS PIN ANILLO DE PASADOR | 1 | | |
| 59 | 6BM-45332-00-9S | HOUSING, BEARING CAJA BALERO 2 | 1 | | |
| 60 | 93306-209U0 | BEARING COJINETE | 1 | | |
| 61 | 6BM-45571-00 | GEAR 2 (28T) ENGRANAJE 2 (28T) | 1 | | |
| 62 | 6G5-45576-10 | WASHER, THRUST 2 ARANDELA DE EMPUJE AXIAL 2 | 1 | | |
| 63 | 93315-43061 | BEARING COJINETE DE RODILLOS | 1 | | |
| 64 | 93101-30M17 | OIL SEAL SELLO ACEITE | 2 | | |
| 65 | 93210-97M55 | O-RING ANILLO O | 1 | | |
| 66 | 6G5-45577-02 | SHIM (T:0.10MM) LAINA (T:0.10MM) | 1 | | UR UR |
| | 6G5-45577-10 | SHIM (T:0.12MM) LAINA (T:0.12MM) | 1 | | UR UR |
| | 6G5-45577-20 | SHIM (T:0.15MM) LAINA (T:0.15MM) | 1 | | UR UR |
| | 6G5-45577-30 | SHIM (T:0.18MM) LAINA (T:0.18MM) | 1 | | UR UR |

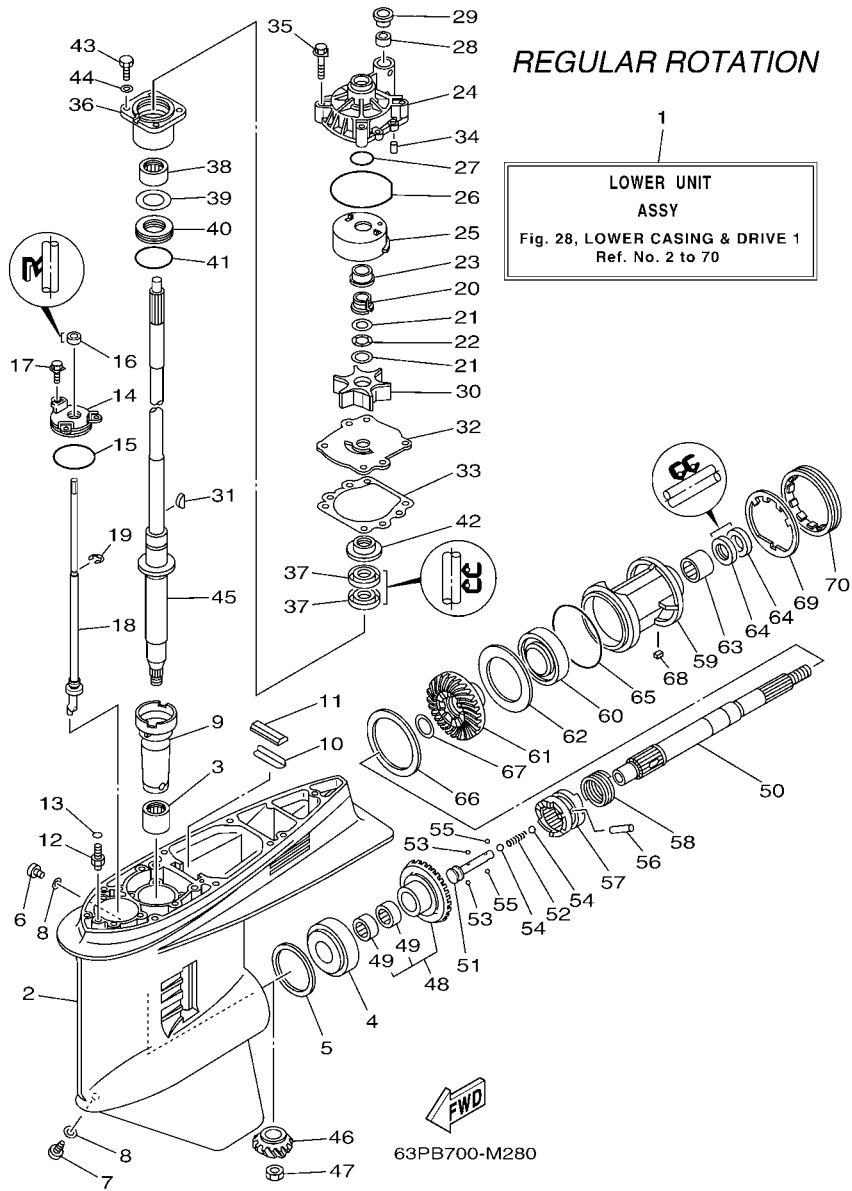


FIG. 28 LOWER CASING & DRIVE 1 IMPULSOR E INFERIOR 1

| REF. NO. | PART NO. CODIGO Nº | DESCRIPTION DESCRIPCION | 6BM7 | 6BN7 | REMARKS OBSERVACIONES |
|----------|--------------------|-------------------------------------|------|------|-----------------------|
| 66 | 6G5-45577-40 | SHIM (T:0.30MM) LAINA (T:0.30MM) | 1 | | UR UR |
| | 6G5-45577-50 | SHIM (T:0.40MM) LAINA (T:0.40MM) | 1 | | UR UR |
| | 6G5-45577-60 | SHIM (T:0.50MM) LAINA (T:0.50MM) | 1 | | UR UR |
| 67 | 90201-30M92 | WASHER, PLATE ARANDELA PLANA | 1 | | |
| 68 | 90282-04M00 | KEY, STRAIGHT CHAVETA, RECTA | 1 | | |
| 69 | 6G5-45383-01 | WASHER, CLAW ARANDELA DE UNA | 1 | | |
| 70 | 6G5-45384-02 | NUT TUERCA | 1 | | |
| ----- | | | | | |
| ----- | | | | | |
| ----- | | | | | |
| ----- | | | | | |
| ----- | | | | | |
| ----- | | | | | |
| ----- | | | | | |
| ----- | | | | | |
| ----- | | | | | |

REGULAR ROTATION

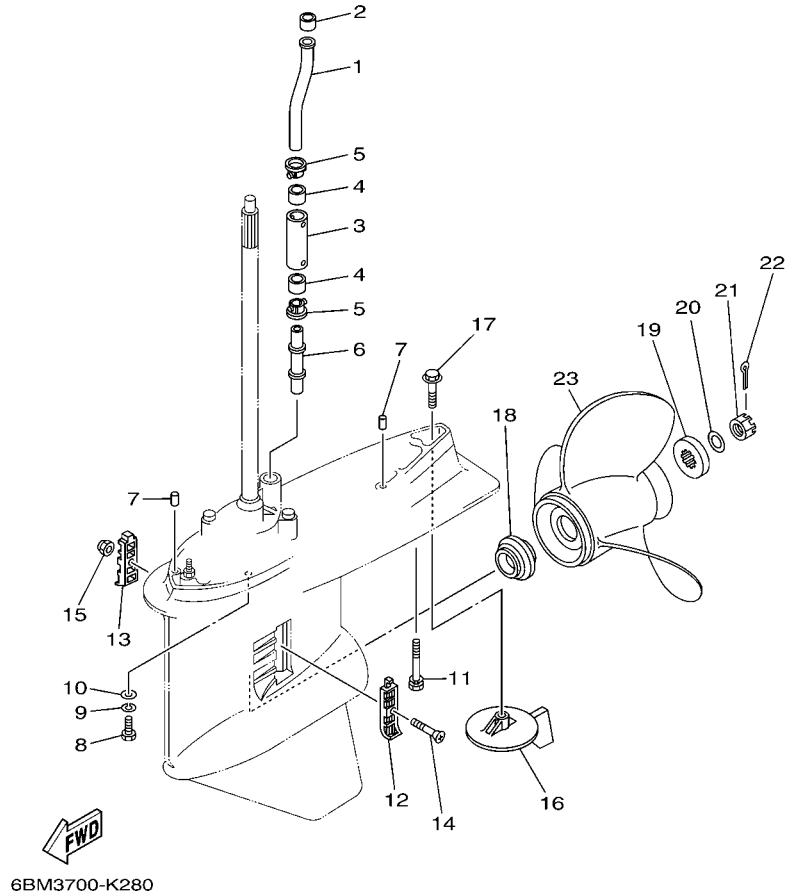


FIG. 29 LOWER CASING & DRIVE 2 IMPULSOR E INFERIOR 2

| REF. NO. | PART NO. CODIGO Nº | DESCRIPTION DESCRIPCION | 6BM7 | 6BN7 | | REMARKS OBSERVACIONES |
|----------|--------------------|--|------|------|--|-----------------------|
| 1 | 63P-44361-00 | TUBE, WATER 1 TUBO DE AGUA 1 | 1 | | | |
| 2 | 6E5-44365-00 | DAMPER, WATER SEAL 1 HULE DE SELLO DE AGUA 1 | 1 | | | |
| 3 | 63P-44362-00 | TUBE, WATER 2 TUBO DE AGUA 2 | 1 | | | X(25.3") X(25.3") |
| 4 | 6E5-44365-00 | DAMPER, WATER SEAL 1 HULE DE SELLO DE AGUA 1 | 2 | | | X(25.3") X(25.3") |
| 5 | 6E5-44312-00 | COVER, WATER PUMP HOUSING CUBIERTA CAJA BOMBA DE AGUA | 2 | | | X(25.3") X(25.3") |
| 6 | 63P-44363-00 | TUBE, WATER 3 TUBO DE AGUA 3 | 1 | | | X(25.3") X(25.3") |
| 7 | 93608-16M16 | PIN, DOWEL PASADOR DE CLAVIJA | 2 | | | |
| 8 | 97095-10045 | BOLT PERNO | 6 | | | |
| 9 | 92995-10100 | WASHER ARANDELA | 6 | | | |
| 10 | 92995-10600 | WASHER ARANDELA | 6 | | | |
| 11 | 90119-10008 | BOLT, WITH WASHER TORNILLO CON ARANDELA | 1 | | | X(25.3") X(25.3") |
| 12 | 6J9-45214-00 | COVER, WATER INLET 1 CUBIERTA ENTRADA AGUA 1 | 1 | | | |
| 13 | 6J9-45215-00 | COVER, WATER INLET 2 CUBIERTA ENTRADA AGUA 2 | 1 | | | |
| 14 | 90152-05M08 | SCREW, COUNTERSUNK TORNILLO EMBUTIDO | 1 | | | |
| 15 | 90185-05002 | NUT, NYLON TUERCA AUTOBLOCANTE | 1 | | | |
| 16 | 6J9-45371-01 | TAB-TRIM QUILLA ESTABILIZADOR | 1 | | | |
| 17 | 90105-10M00 | BOLT, FLANGE TORNILLO | 1 | | | |
| 18 | 63P-45987-00 | SPACER 1 ESPACIADOR 1 | 1 | | | |
| 19 | 688-45997-01 | SPACER 2 ESPACIADOR 2 | 1 | | | |
| 20 | 92990-18200 | WASHER ARANDELA PLANA | 1 | | | |
| 21 | 90171-18M04 | NUT, CASTLE TUERCA ENTALLADA | 1 | | | |
| 22 | 91490-40030 | PIN, COTTER CHAVETA | 1 | | | |
| 23 | 6G5-45941-00 | PROPELLER (3X15-1/4"X15"-M) PROPELA (3X15-1/4"X15"-M) | 1 | | | UR UR |
| | 6G5-45943-01 | PROPELLER (3X13-3/4"X21"-M) PROPELA (3X13-3/4"X21"-M) | 1 | | | UR UR |
| | 6G5-45945-01 | PROPELLER (3X14"X19"-M) PROPELA (3X14"X19"-M) | 1 | | | UR UR |
| | 6G5-45947-01 | PROPELLER (3X14-1/2"X17"-M) PROPELA (3X14-1/2"X17"-M) | 1 | | | UR UR |
| | 6G5-45949-00 | PROPELLER (3X13-1/2"X23"-M) PROPELA (3X13-1/2"X23"-M) | 1 | | | UR UR |

REGULAR ROTATION

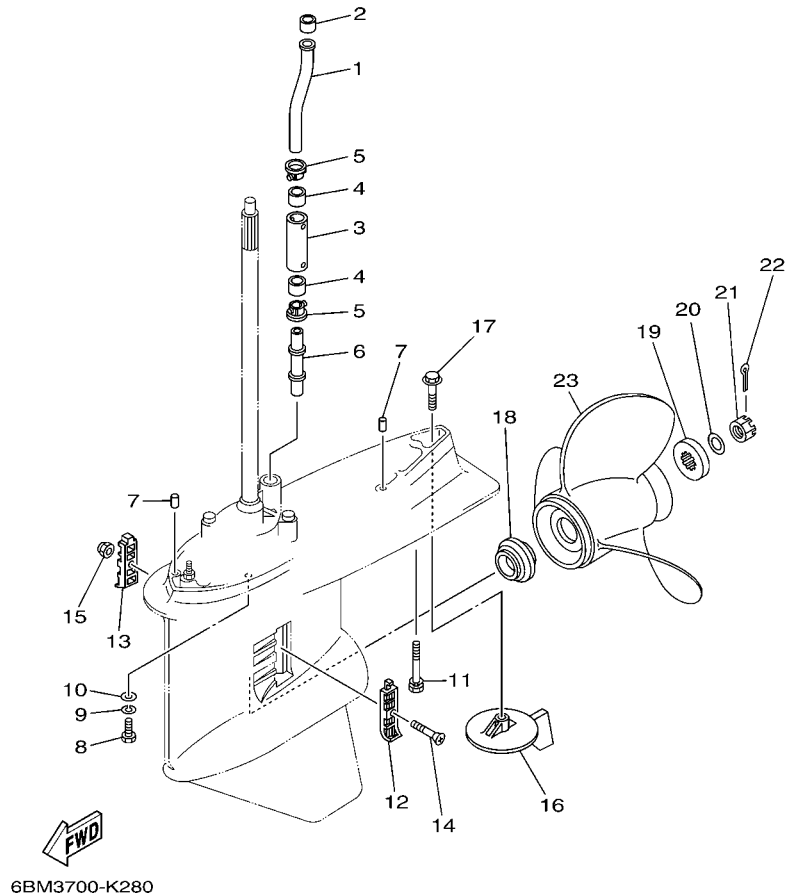


FIG. 29 LOWER CASING & DRIVE 2 IMPULSOR E INFERIOR 2

| REF. NO. | PART NO. CODIGO Nº | DESCRIPTION DESCRIPCION | 6BM7 | 6BN7 | | REMARKS OBSERVACIONES |
|----------|--------------------|--|------|------|--|-----------------------|
| 23 | 6G5-45930-00 | PROPELLER (3X13-3/8"X25"-M) PROPELA (3X13-3/8"X25"-M) | 1 | | | UR UR |
| | 6G5-45932-00 | PROPELLER (3X15-3/4"X13"-M) PROPELA (3X15-3/4"X13"-M) | 1 | | | UR UR |
| | 6G5-45970-02 | PROPELLER (3X15-1/4"X15"-M) PROPELA (3X15-1/4"X15"-M) | 1 | | | UR UR |
| | 6G5-45972-02 | PROPELLER (3X13-3/4"X21"-M) PROPELA (3X13-3/4"X21"-M) | 1 | | | UR UR |
| | 6G5-45974-03 | PROPELLER (3X13-3/4"X19"-M2) PROPELA (3X13-3/4"X19"-M2) | 1 | | | UR UR |
| | 6G5-45976-01 | PROPELLER (3X13-3/8"X23"-M) PROPELA (3X13-3/8"X23"-M) | 1 | | | UR UR |
| | 6G5-45978-03 | PROPELLER (3X13-3/4"X17"-M2) PROPELA (3X13-3/4"X17"-M2) | 1 | | | UR UR |
| | 6R4-45970-A1 | PROPELLER (3X15-1/4"X19"-M) PROPELA (3X15-1/4"X19"-M) | 1 | | | UR UR |
| | 6R4-45972-A0 | PROPELLER (3X14-7/8"X21"-M) PROPELA (3X14-7/8"X21"-M) | 1 | | | UR UR |
| | 6R4-45974-A0 | PROPELLER (3X14-1/2"X23"-M) PROPELA (3X14-1/2"X23"-M) | 1 | | | UR UR |
| | 6R4-45976-A0 | PROPELLER (3X14-1/2"X15"-M) PROPELA (3X14-1/2"X15"-M) | 1 | | | UR UR |
| | 6R4-45978-A0 | PROPELLER (3X15-1/4"X17"-M) PROPELA (3X15-1/4"X17"-M) | 1 | | | UR UR |
| | 66K-45970-B0 | PROPELLER (3X14-1/2"X27"-M1) PROPELA (3X14-1/2"X27"-M1) | 1 | | | UR UR |
| | 66K-45972-B0 | PROPELLER (3X14-1/2"X25"-M2) PROPELA (3X14-1/2"X25"-M2) | 1 | | | UR UR |
| | 66K-45974-B0 | PROPELLER (3X14-1/2"X23"-M2) PROPELA (3X14-1/2"X23"-M2) | 1 | | | UR UR |
| | 6J9-45976-10 | PROPELLER (3X14-1/2"X21"-M1) PROPELA (3X14-1/2"X21"-M1) | 1 | | | UR UR |

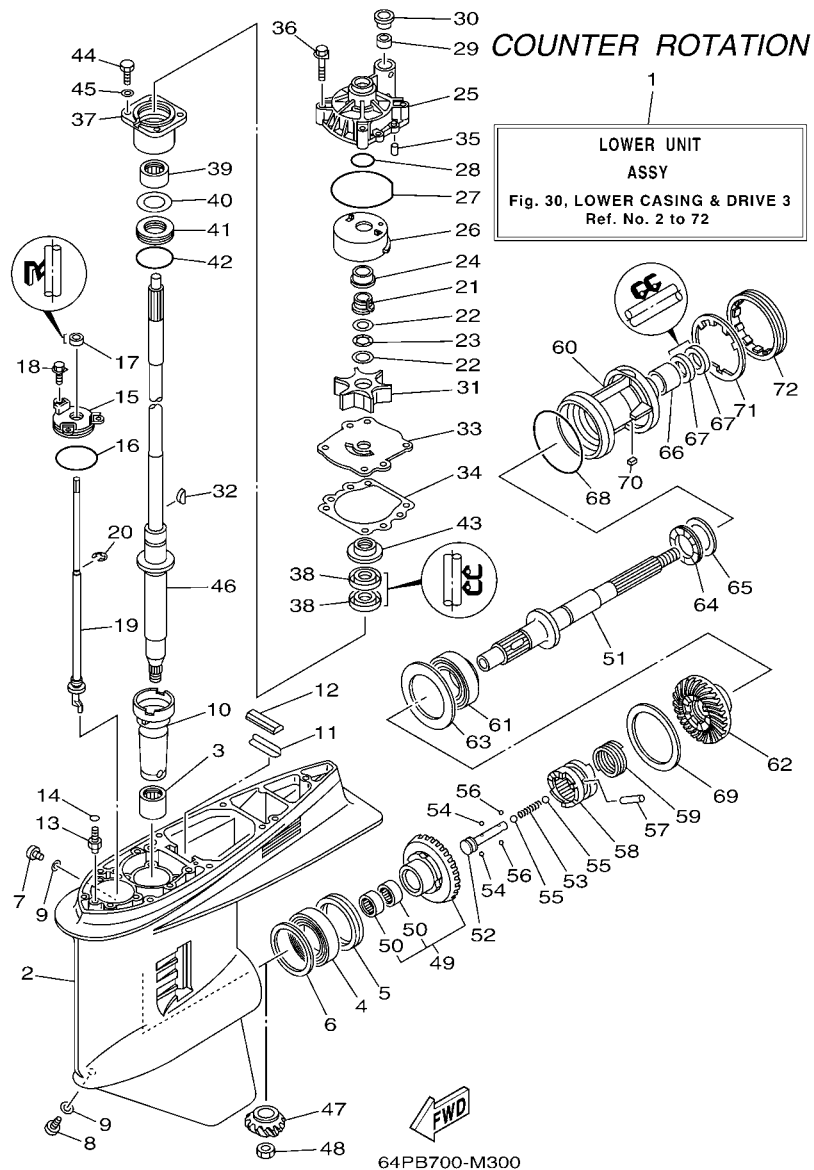


FIG. 30 LOWER CASING & DRIVE 3 IMPULSOR E INFERIOR 3

| REF. NO. | PART NO. CODIGO Nº | DESCRIPTION DESCRIPCION | 6BM7 | 6BN7 | REMARKS OBSERVACIONES |
|----------|--------------------|--|------|------|----------------------------|
| 1 | 6BN-45300-11-8D | LOWER UNIT ASSY CONJUNTO UNIDAD INFERIOR | | 1 | X(25.3"),LH X(25.3"),LH |
| 2 | 6BM-45301-01-8D | CASING, LOWER FUNDA INFERIOR COMPLETA | | 1 | |
| 3 | 93311-928U5 | BEARING COJINETE DE RODILLOS | | 1 | |
| 4 | 93390-000U2 | BEARING COJINETE DE RODILLOS | | 1 | |
| 5 | 93341-465U4 | BEARING COJINETES CON RODAMIENTOS | | 1 | |
| 6 | 6G5-45567-01 | SHIM (T:0.10MM) LAINA (T:0.10MM) | | 1 | UR UR |
| | 6G5-45567-10 | SHIM (T:0.12MM) LAINA (T:0.12MM) | | 1 | UR UR |
| | 6G5-45567-20 | SHIM (T:0.15MM) LAINA (T:0.15MM) | | 1 | UR UR |
| | 6G5-45567-30 | SHIM (T:0.18MM) LAINA (T:0.18MM) | | 1 | UR UR |
| | 6G5-45567-40 | SHIM (T:0.30MM) LAINA (T:0.30MM) | | 1 | UR UR |
| | 6G5-45567-50 | SHIM (T:0.40MM) LAINA (T:0.40MM) | | 1 | UR UR |
| | 6G5-45567-60 | SHIM (T:0.50MM) LAINA (T:0.50MM) | | 1 | UR UR |
| 7 | 90340-08002 | PLUG, STRAIGHT SCREW TORNILLO, DE DRENAJE | | 1 | |
| 8 | 688-45341-10 | PLUG, DRAIN TAPON, DREN | | 1 | |
| 9 | 90430-08020 | GASKET JUNTA | | 2 | |
| 10 | 6G5-45536-01 | SLEEVE, DRIVE SHAFT CAMISA EJE DE MANDO | | 1 | |
| 11 | 663-45376-00 | GUIDE, SEAL DAMPER GUIA DE SELLO GOMA | | 1 | |
| 12 | 688-45375-00 | DAMPER, SEAL GOMA DE SELLO | | 1 | |
| 13 | 63P-45378-00 | NIPPLE, HOSE NIPLE MANGUERA | | 1 | |
| 14 | 93210-07003 | O-RING ANILLO O | | 1 | |
| 15 | 6E5-45321-00 | PLATE PLACA | | 1 | |
| 16 | 93210-58144 | O-RING ANILLO O | | 1 | |
| 17 | 93106-09014 | OIL SEAL SELLO ACEITE | | 1 | |
| 18 | 90119-06M10 | BOLT, WITH WASHER TORNILLO CON ARANDELA | | 3 | |
| 19 | 64P-44150-11 | SHIFT CAM ASSY CONJUNTO EJE LEVA COMPL. | | 1 | X(25.3"),LH X(25.3"),LH |
| 20 | 99001-08600 | CIRCLIP PRESILLA REDONDA | | 1 | |
| 21 | 61A-45538-00 | SPACER 1 ESPACIADOR 1 | | 1 | |

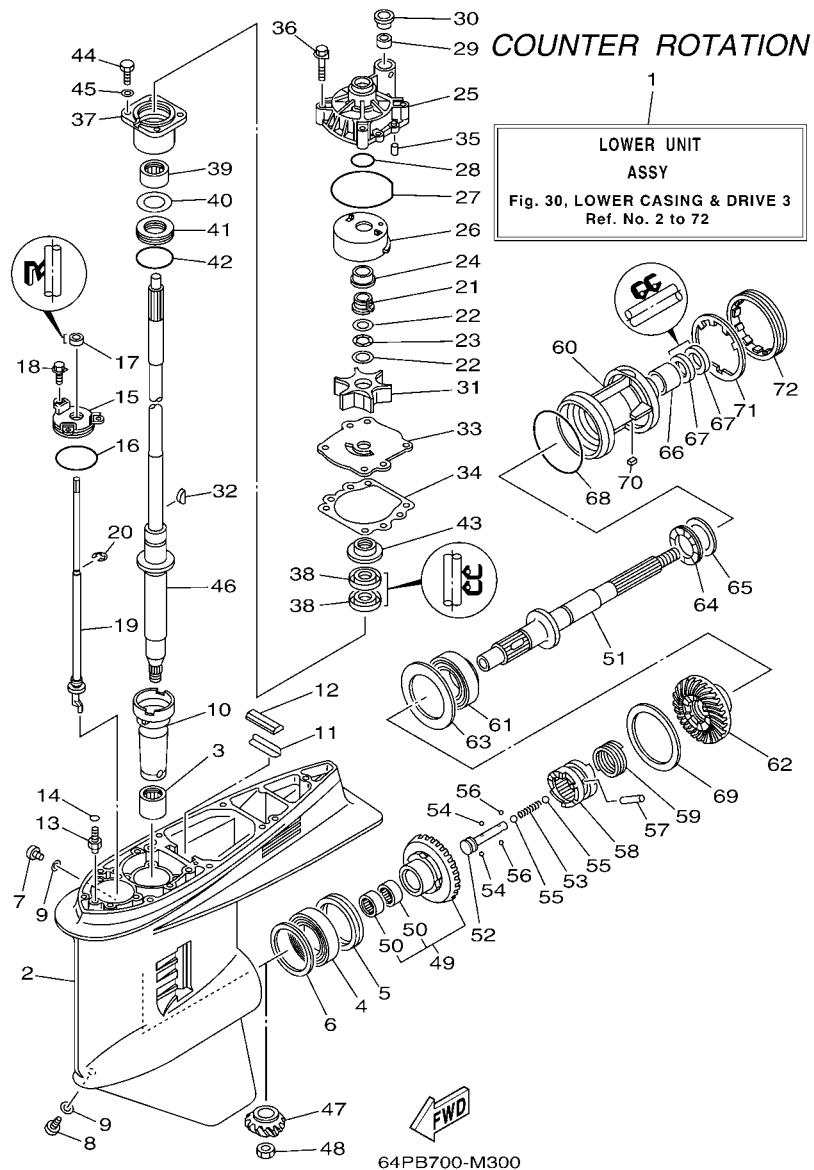


FIG. 30 LOWER CASING & DRIVE 3 IMPULSOR E INFERIOR 3

| REF. NO. | PART NO. CODIGO Nº | DESCRIPTION DESCRIPCION | 6BM7 | 6BN7 | REMARKS OBSERVACIONES |
|----------|--------------------|--|------|------|------------------------------|
| 22 | 90201-22M01 | WASHER, PLATE ARANDELA PLANA | | 2 | |
| 23 | 90206-22M19 | WASHER, WAVE ARANDELA ONDULADA | | 1 | |
| 24 | 61A-45527-00 | COLLAR, DRIVE SHAFT COLLAR EJE FLECHA DE PROPULSION | | 1 | |
| 25 | 61A-44311-01 | HOUSING, WATER PUMP CAJA BOMBA DE AGUA | | 1 | |
| 26 | 6R3-44322-42 | INSERT, CARTRIDGE CARTUCHO | | 1 | FOR CHROMATE FOR CHROMATE |
| 27 | 93210-86M38 | O-RING ANILLO O | | 1 | |
| 28 | 93210-37160 | O-RING ANILLO O | | 1 | |
| 29 | 6E5-44365-00 | DAMPER, WATER SEAL 1 HULE DE SELLO DE AGUA 1 | | 1 | |
| 30 | 6E5-44312-00 | COVER, WATER PUMP HOUSING CUBIERTA CAJA BOMBA DE AGUA | | 1 | |
| 31 | 6E5-44352-01 | IMPELLER IMPULSOR | | 1 | |
| 32 | 90280-04M05 | KEY, WOODRUFF CUNA WOODRUFF | | 1 | |
| 33 | 6G5-44323-41 | OUTER PLATE, CARTRIDGE PLACA EXTERIOR DEL CARTUCHO | | 1 | FOR CHROMATE FOR CHROMATE |
| 34 | 6E5-44315-A0 | GASKET, WATER PUMP EMPAQUE | | 1 | |
| 35 | 93606-12019 | PIN, DOWEL PASADOR DE CLAVIJA | | 2 | |
| 36 | 90119-08M14 | BOLT, WITH WASHER TORNILLO CON ARANDELA | | 4 | |
| 37 | 6E5-45331-00-9S | HOUSING, BEARING CAJA DE COJINETE | | 1 | |
| 38 | 93101-28M16 | OIL SEAL SELLO ACEITE | | 2 | |
| 39 | 93317-330U2 | BEARING COJINETE | | 1 | |
| 40 | 6E5-45587-01 | SHIM (T:0.10MM) LAINA (T:0.10MM) | | 1 | UR |
| | 6E5-45587-10 | SHIM (T:0.12MM) LAINA (T:0.12MM) | | 1 | UR |
| | 6E5-45587-20 | SHIM (T:0.15MM) LAINA (T:0.15MM) | | 1 | UR |
| | 6E5-45587-30 | SHIM (T:0.18MM) LAINA (T:0.18MM) | | 1 | UR |
| | 6E5-45587-40 | SHIM (T:0.30MM) LAINA (T:0.30MM) | | 1 | UR |
| | 6E5-45587-50 | SHIM (T:0.40MM) LAINA (T:0.40MM) | | 1 | UR |
| | 6E5-45587-60 | SHIM (T:0.50MM) LAINA (T:0.50MM) | | 1 | UR |
| 41 | 93341-930V2 | BEARING COJINETES CON RODAMIENTOS | | 1 | |
| 42 | 93210-55M14 | O-RING ANILLO O | | 1 | |

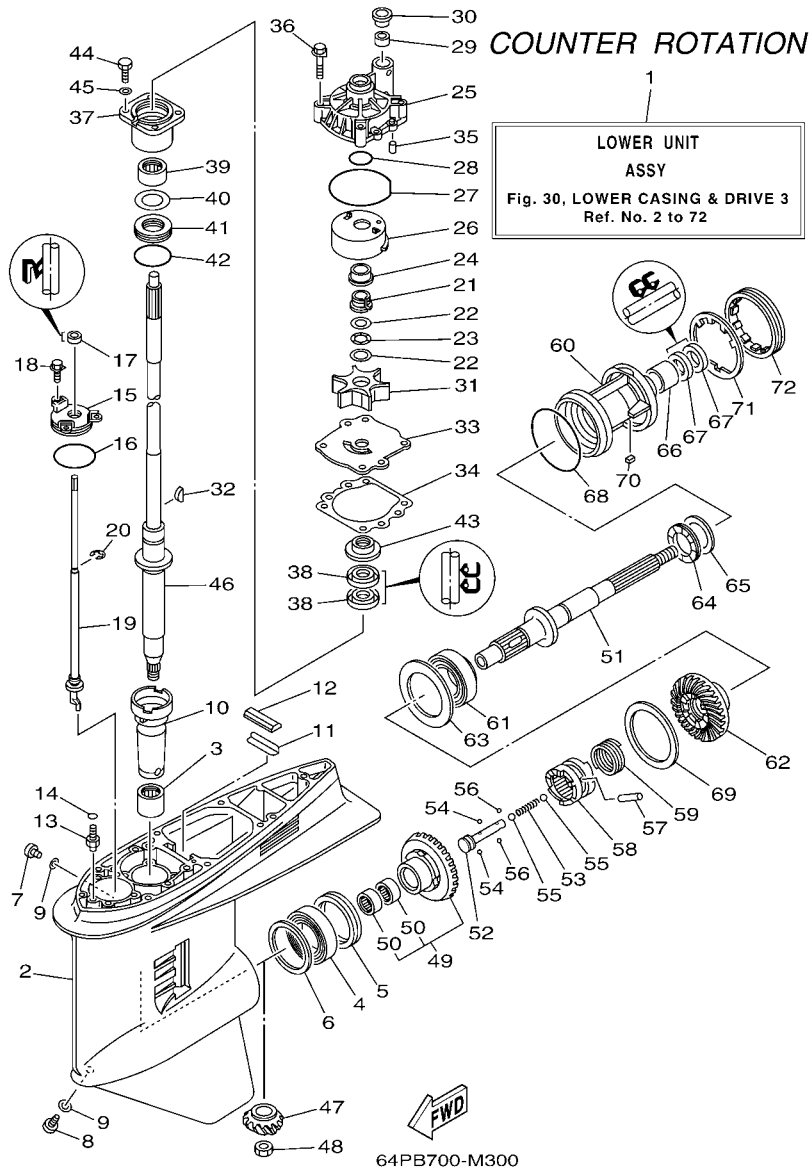


FIG. 30 LOWER CASING & DRIVE 3 IMPULSOR E INFERIOR 3

| REF. NO. | PART NO. CODIGO Nº | DESCRIPTION DESCRIPCION | 6BM7 | 6BN7 | REMARKS OBSERVACIONES |
|----------|--------------------|--|------|------|-----------------------|
| 43 | 6E5-45344-00 | COVER, OIL SEAL CUBIERTA SELLO ACEITE | | 1 | |
| 44 | 97095-08025 | BOLT PERNO | | 4 | |
| 45 | 92995-08600 | WASHER ARANDELA | | 4 | |
| 46 | 63P-45501-11 | DRIVE SHAFT COMP. EJE DE MANDO COMPL. | | 1 | X(25.3") |
| 47 | 63P-45551-00 | PINION (14T) PINON (14T) | | 1 | X(25.3") |
| 48 | 90170-16M01 | NUT TUERCA | | 1 | |
| 49 | 6BN-45560-00 | GEAR 1 (28T) ENGRANAJE 1 (28T) | | 1 | |
| 50 | 93315-425V3 | .BEARING .COJINETE DE RODILLOS | | 2 | |
| 51 | 6K1-45611-10 | SHAFT, PROPELLER EJE PROPUSOR | | 1 | |
| 52 | 6E5-45634-02 | SLIDE, SHIFT DESLIZADOR, CAMBIO | | 1 | |
| 53 | 90501-16M37 | SPRING, COMPRESSION RESORTE DE COMPRESION | | 1 | |
| 54 | 93507-32009 | BALL ESFERA | | 2 | |
| 55 | 93511-32017 | BALL ESFERA | | 2 | |
| 56 | 93503-16003 | BALL ESFERA | | 2 | |
| 57 | 90250-08M07 | PIN, STRAIGHT PASADOR CILINDRICO | | 1 | |
| 58 | 6BM-45631-00 | CLUTCH, DOG EMBRAGUE DE GARRA | | 1 | |
| 59 | 6E5-45633-01 | RING, CROSS PIN ANILLO DE PASADOR | | 1 | |
| 60 | 6BN-45332-00-9S | HOUSING, BEARING CAJA BALERO 2 | | 1 | |
| 61 | 93332-00048 | BEARING COJINETE | | 1 | |
| 62 | 6BN-45570-00 | GEAR 2 (28T) ENGRANAJE 2 (28T) | | 1 | |
| 63 | 6K1-45576-00 | WASHER, THRUST 2 ARANDELA DE EMPUJE AXIAL 2 | | 1 | |
| 64 | 93341-440U5 | BEARING COJINETES CON RODAMIENTOS | | 1 | |
| 65 | 6K1-45578-01 | SHIM (T:0.10MM) LAINA (T:0.10MM) | | 1 | UR |
| | 6K1-45578-10 | SHIM (T:0.12MM) LAINA (:0.12MM) | | 1 | UR |
| | 6K1-45578-20 | SHIM (T:0.15MM) LAINA (T:0.15MM) | | 1 | UR |
| | 6K1-45578-30 | SHIM (T:0.18MM) LAINA (T:0.18MM) | | 1 | UR |
| | 6K1-45578-40 | SHIM (T:0.30MM) LAINA (T:0.30MM) | | 1 | UR |

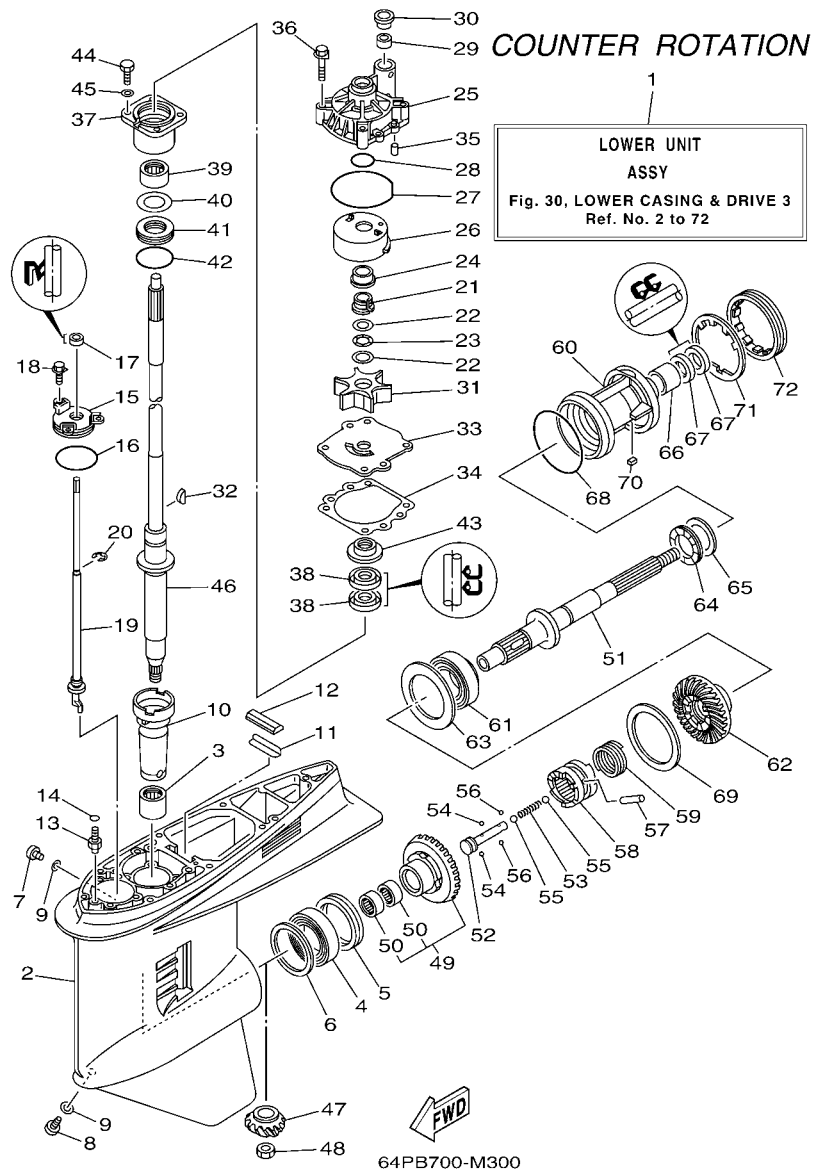
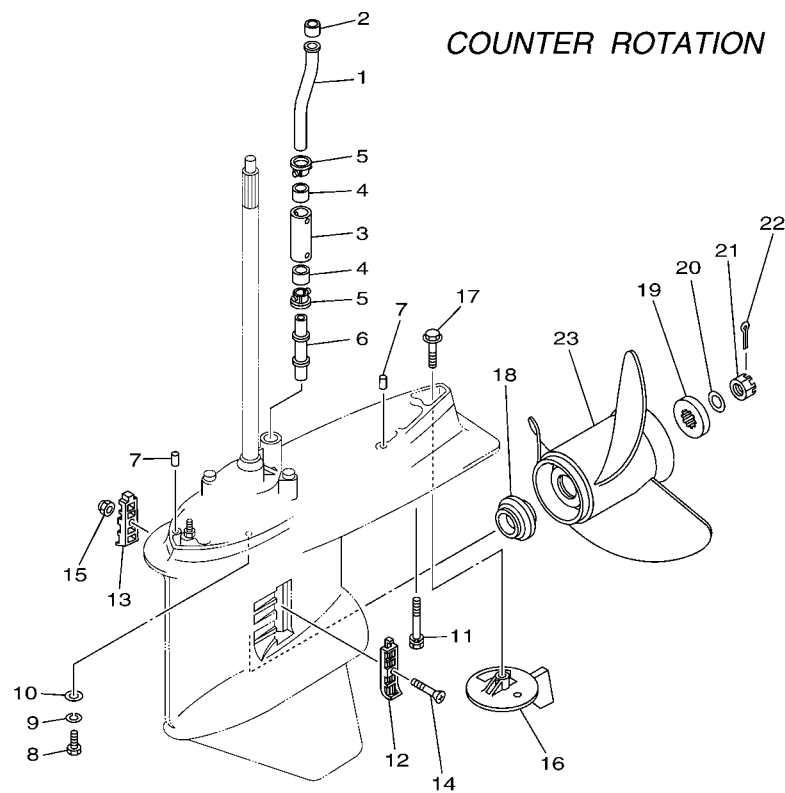


FIG. 30 LOWER CASING & DRIVE 3 IMPULSOR E INFERIOR 3

| REF. NO. | PART NO. CODIGO Nº | DESCRIPTION DESCRIPCION | 6BM7 | 6BN7 | REMARKS OBSERVACIONES |
|----------|--------------------|-------------------------------------|------|------|-----------------------|
| 65 | 6K1-45578-50 | SHIM (T:0.40MM) LAINA (T:0.40MM) | | 1 | UR UR |
| | 6K1-45578-60 | SHIM (T:0.50MM) LAINA (T:0.50MM) | | 1 | UR UR |
| 66 | 93315-43061 | BEARING COJINETE DE RODILLOS | | 1 | |
| 67 | 93101-30M17 | OIL SEAL SELLO ACEITE | | 2 | |
| 68 | 93210-97M55 | O-RING ANILLO O | | 1 | |
| 69 | 6G5-45577-02 | SHIM (T:0.10MM) LAINA (T:0.10MM) | | 1 | UR UR |
| | 6G5-45577-10 | SHIM (T:0.12MM) LAINA (T:0.12MM) | | 1 | UR UR |
| | 6G5-45577-20 | SHIM (T:0.15MM) LAINA (T:0.15MM) | | 1 | UR UR |
| | 6G5-45577-30 | SHIM (T:0.18MM) LAINA (T:0.18MM) | | 1 | UR UR |
| | 6G5-45577-40 | SHIM (T:0.30MM) LAINA (T:0.30MM) | | 1 | UR UR |
| | 6G5-45577-50 | SHIM (T:0.40MM) LAINA (T:0.40MM) | | 1 | UR UR |
| | 6G5-45577-60 | SHIM (T:0.50MM) LAINA (T:0.50MM) | | 1 | UR UR |
| 70 | 90282-04M00 | KEY, STRAIGHT CHAVETA, RECTA | | 1 | |
| 71 | 6G5-45383-01 | WASHER, CLAW ARANDELA DE UNA | | 1 | |
| 72 | 6G5-45384-02 | NUT TUERCA | | 1 | |

FIG. 31 LOWER CASING & DRIVE 4

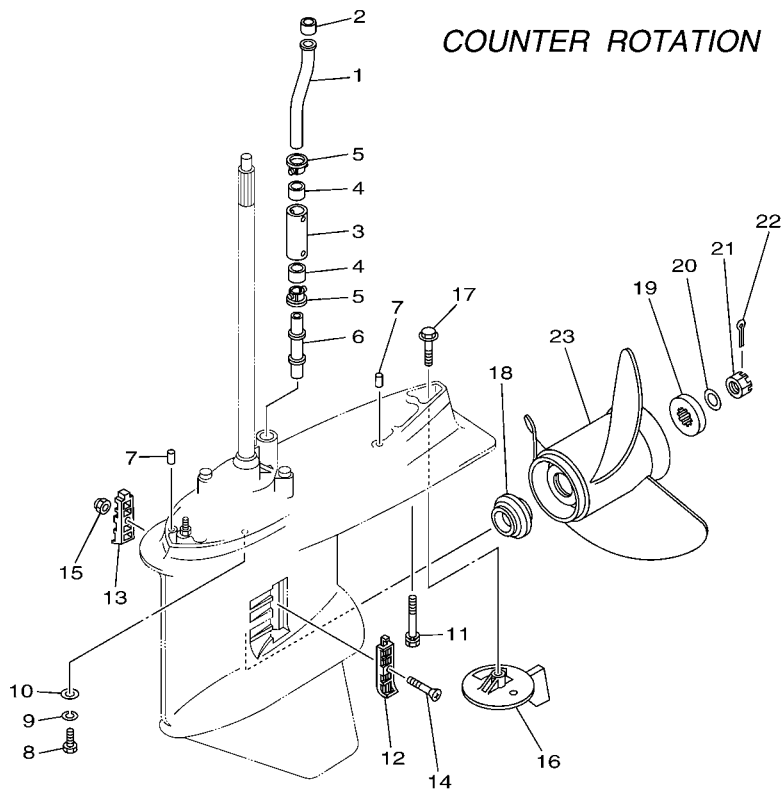
IMPULSOR E INFERIOR 4



64P1010-C280

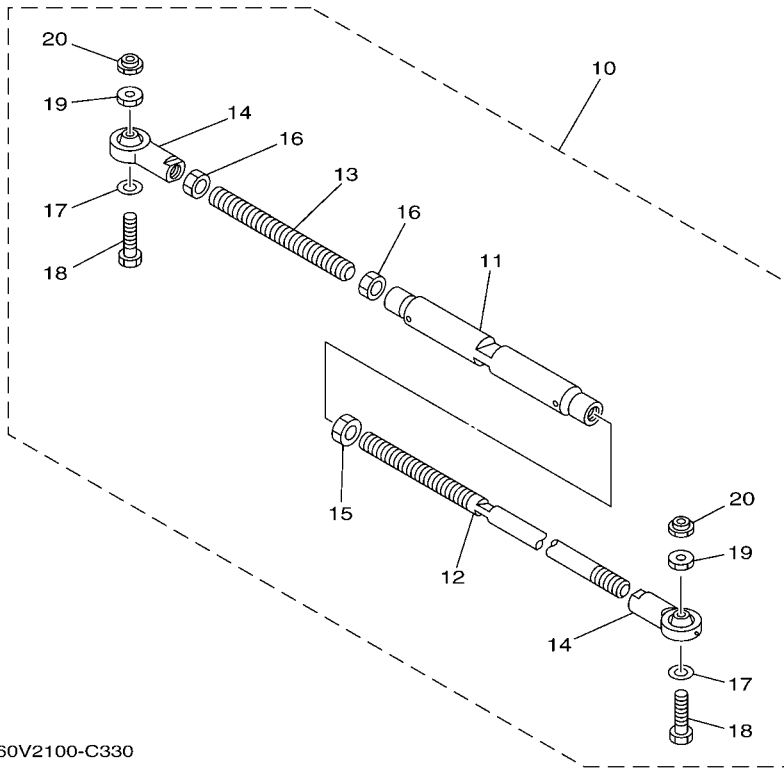
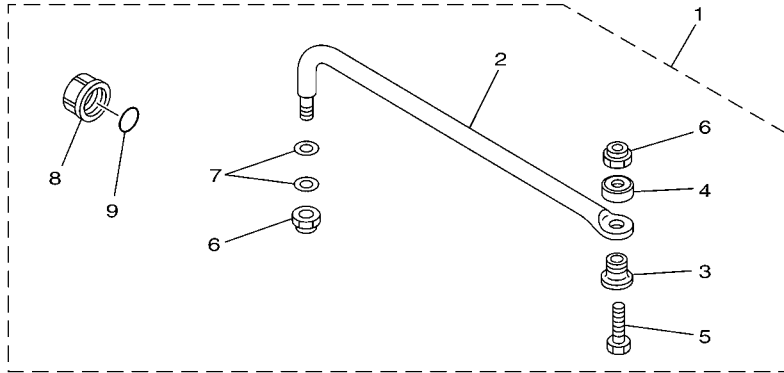
| REF. NO. | PART NO. CODIGO Nº | DESCRIPTION DESCRIPCION | 6BM7 | 6BN7 | REMARKS OBSERVACIONES |
|----------|--------------------|--|------|------|-----------------------|
| 1 | 63P-44361-00 | TUBE, WATER 1 TUBO DE AGUA 1 | | 1 | |
| 2 | 6E5-44365-00 | DAMPER, WATER SEAL 1 HULE DE SELLO DE AGUA 1 | | 1 | |
| 3 | 63P-44362-00 | TUBE, WATER 2 TUBO DE AGUA 2 | | 1 | X(25.3") X(25.3") |
| 4 | 6E5-44365-00 | DAMPER, WATER SEAL 1 HULE DE SELLO DE AGUA 1 | | 2 | X(25.3") X(25.3") |
| 5 | 6E5-44312-00 | COVER, WATER PUMP HOUSING CUBIERTA CAJA BOMBA DE AGUA | | 2 | X(25.3") X(25.3") |
| 6 | 63P-44363-00 | TUBE, WATER 3 TUBO DE AGUA 3 | | 1 | X(25.3") X(25.3") |
| 7 | 93608-16M16 | PIN, DOWEL PASADOR DE CLAVIJA | | 2 | |
| 8 | 97095-10045 | BOLT PERNO | | 6 | |
| 9 | 92995-10100 | WASHER ARANDELA | | 6 | |
| 10 | 92995-10600 | WASHER ARANDELA | | 6 | |
| 11 | 90119-10008 | BOLT, WITH WASHER TORNILLO CON ARANDELA | | 1 | X(25.3") X(25.3") |
| 12 | 6J9-45214-00 | COVER, WATER INLET 1 CUBIERTA ENTRADA AGUA 1 | | 1 | |
| 13 | 6J9-45215-00 | COVER, WATER INLET 2 CUBIERTA ENTRADA AGUA 2 | | 1 | |
| 14 | 90152-05M08 | SCREW, COUNTERSUNK TORNILLO EMBUTIDO | | 1 | |
| 15 | 90185-05002 | NUT, NYLON TUERCA AUTOBLOCANTE | | 1 | |
| 16 | 6K1-45371-02 | TAB-TRIM QUILLA ESTABILIZADOR | | 1 | |
| 17 | 90105-10M00 | BOLT, FLANGE TORNILLO | | 1 | |
| 18 | 63P-45987-00 | SPACER 1 ESPACIADOR 1 | | 1 | |
| 19 | 688-45997-01 | SPACER 2 ESPACIADOR 2 | | 1 | |
| 20 | 92990-18200 | WASHER ARANDELA PLANA | | 1 | |
| 21 | 90171-18M04 | NUT, CASTLE TUERCA ENTALLADA | | 1 | |
| 22 | 91490-40030 | PIN, COTTER CHAVETA | | 1 | |
| 23 | 6K1-45970-01 | PROPELLER (3X15-1/4"X15"-ML) PROPELA (3X15-1/4"X15"-ML) | | 1 | UR UR |
| | 6K1-45972-01 | PROPELLER (3X13-3/4"X21"-ML) PROPELA (3X13-3/4"X21"-ML) | | 1 | UR UR |
| | 6K1-45974-02 | PROPELLER (3X13-3/4"X19"-ML1) PROPELA (3X13-3/4"X19"-ML1) | | 1 | UR UR |
| | 6K1-45976-00 | PROPELLER (3X13-3/8"X23"-ML) PROPELA (3X13-3/8"X23"-ML) | | 1 | UR UR |
| | 6K1-45978-02 | PROPELLER (3X13-3/4"X17"-ML1) PROPELA (3X13-3/4"X17"-ML1) | | 1 | UR UR |

FIG. 31 LOWER CASING & DRIVE 4 IMPULSOR E INFERIOR 4



64P1010-C280

| REF. NO. | PART NO. CODIGO Nº | DESCRIPTION DESCRIPCION | 6BM7 | 6BN7 | | REMARKS OBSERVACIONES |
|----------|--------------------|--|------|------|--|-----------------------|
| 23 | 6K1-45945-00 | PROPELLER (3X14"X19"-ML) PROPELA (3X14"X19"-ML) | | 1 | | UR UR |
| | 6K1-45947-00 | PROPELLER (3X14-1/2"X17"-ML) PROPELA (3X14-1/2"X17"-ML) | | 1 | | UR UR |
| | 6R1-45970-A1 | PROPELLER (3X15-1/4"X19"-ML) PROPELA (3X15-1/4"X19"-ML) | | 1 | | UR UR |
| | 6R1-45972-A0 | PROPELLER (3X14-7/8"X21"-ML) PROPELA (3X14-7/8"X21"-ML) | | 1 | | UR UR |
| | 6R1-45974-A0 | PROPELLER (3X14-1/2"X23"-ML) PROPELA (3X14-1/2"X23"-ML) | | 1 | | UR UR |
| | 6R1-45976-A0 | PROPELLER (3X15-1/4"X15"-ML) PROPELA (3X15-1/4"X15"-ML) | | 1 | | UR UR |
| | 6R1-45978-A0 | PROPELLER (3X15-1/4"X17"-ML) PROPELA (3X15-1/4"X17"-ML) | | 1 | | UR UR |
| ----- | | | | | | |
| ----- | | | | | | |
| ----- | | | | | | |
| ----- | | | | | | |
| ----- | | | | | | |
| ----- | | | | | | |
| ----- | | | | | | |
| ----- | | | | | | |
| ----- | | | | | | |



60V2100-C330

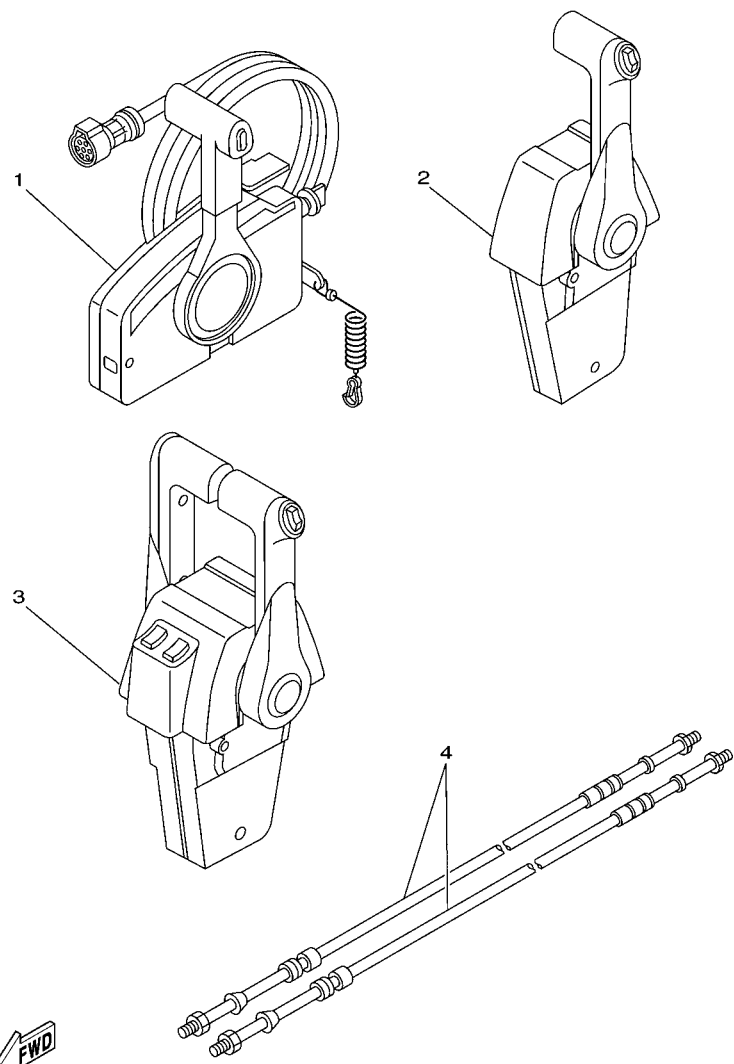
FIG. 32 STEERING GUIDE

DIRECCIONGUIAR

| REF. NO. | PART NO. CODIGO Nº | DESCRIPTION DESCRIPCION | 6BM7 | 6BN7 | REMARKS OBSERVACIONES |
|----------|--------------------|---|------|------|--|
| 1 | 6E5-61350-02 | STEERING GUIDE ATTACHMENT KIT ESTUCHE ADITAMENTO GUIA DE TIM | 1 | | AP EXCEPT FOR CAR AP EXCEPT FOR CAR |
| 2 | 6E5-61351-01 | .ROD, STEERING LINK .VARILLA ESLABON DIRECCION | 1 | | |
| 3 | 90387-10M61 | .COLLAR .ESPACIADOR | 1 | | |
| 4 | 90560-12M01 | .SPACER .SEPARADOR | 1 | | |
| 5 | 6E5-61355-00 | .BOLT .TORNILLO | 1 | | |
| 6 | 90185-09M01 | .NUT, SELF-LOCKING .TUERCA AUTOBLOCANTE | 2 | | |
| 7 | 90201-10M20 | .WASHER, PLATE .ARANDELA PLANA | 2 | | |
| 8 | 6E5-43145-01 | .CAP, CLAMP BRACKET .TAPA | 1 | | |
| 9 | 93210-16275 | .O-RING .ANILLO O | 1 | | |
| 10 | 6E5-61301-01 | TWIN KIT (L:600-800MM) KIT ADITAMENTO (L:600-800MM) | 1 | | AP AP |
| 11 | 6E5-61313-00 | .ADJUSTER .AJUSTADOR | 1 | | |
| 12 | 6E5-61311-11 | .TIE BAR .BARRA SEPARADORA | 1 | | |
| 13 | 6E5-61315-00 | .TIE BAR .ROTOR DE BOMBA AGUA | 1 | | |
| 14 | 6E5-61303-00 | .STEERING AXLE COMP. .OJO-DIRECCION COMPL. | 2 | | |
| 15 | 90170-14M06 | .NUT .TUERCA | 1 | | |
| 16 | 95380-14700 | .NUT .TUERCA | 2 | | |
| 17 | 90201-10M76 | .WASHER, PLATE .ARANDELA PLANA | 2 | | |
| 18 | 90101-09M70 | .BOLT .TORNILLO | 2 | | |
| 19 | 90170-09M05 | .NUT .TUERCA | 2 | | |
| 20 | 90185-09M01 | .NUT, SELF-LOCKING .TUERCA AUTOBLOCANTE | 2 | | |

FIG. 33 REMOTE CONTROL BOX

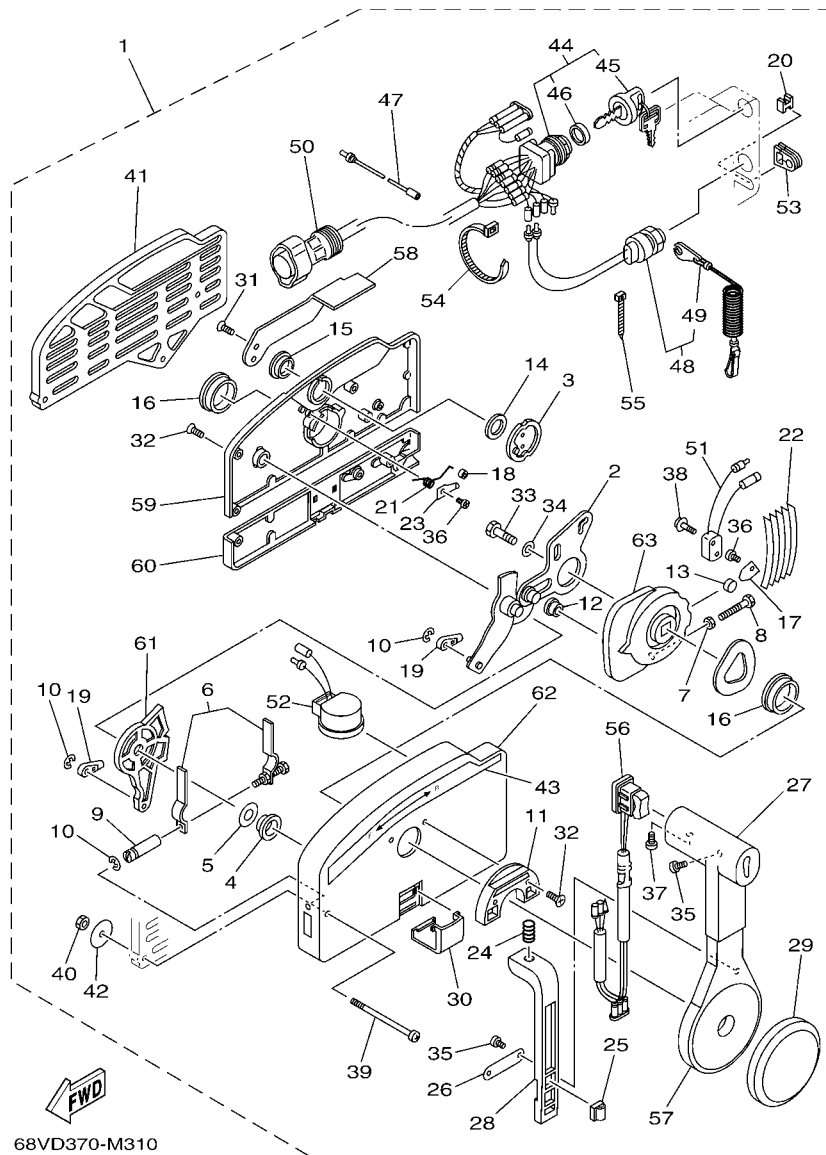
CONTROL REMOTO COMPLETO



63P2100-D320

| REF. NO. | PART NO. CODIGO Nº | DESCRIPTION DESCRIPCION | 6BM7 | 6BN7 | | REMARKS OBSERVACIONES |
|----------|--------------------|---|------|------|--|--|
| 1 | 703-48207-1B | REMOTE CONTROL ASSY (10P) REMOTO CONTROL COMPL. (10P) | 1 | | | AP EXCEPT CAR AP EXCEPT CAR |
| 2 | 704-48205-P1 | REMOTE CONTROL ASSY (RIGHT) REMOTO CONTROL COMPL (RECTO) | 1 | | | AP CAR WITH PT/T SW. AP CAR WITH PT/T SW. |
| 3 | 704-48207-P1 | REMOTE CONTROL ASSY REMOTO CONTROL COMPL. | | 1 | | AP WITH PT/T SW. AP WITH PT/T SW. |
| 4 | 701-48320-50 | CABLE, REMOTE CONTROL L=15F CABLE CONTROL REMOTO L=15F | 2 | 2 | | UR UR |
| | 701-48320-60 | CABLE, REMOTE CONTROL L=16F CABLE CONTROL REMOTO L=16F | 2 | 2 | | UR UR |
| | 701-48320-80 | CABLE, REMOTE CONTROL L=17F CABLE CONTROL REMOTO L=17F | 2 | 2 | | UR UR |
| | 701-48350-00 | CABLE, REMOTE CONTROL L=21F CABLE CONTROL REMOTO L=21F | 2 | 2 | | UR UR |
| | 701-48350-20 | CABLE, REMOTE CONTROL L=23F CABLE CONTROL REMOTO L=23F | 2 | 2 | | UR UR |
| | 701-48350-50 | CABLE, REMOTE CONTROL L=26F CABLE CONTROL REMOTO L=26F | 2 | 2 | | UR UR |

FIG. 34 REMOTE CONTROL ASSY 1 CONTROL REMOTO COMPL 1



| REF. NO. | PART NO. CODIGO Nº | DESCRIPTION DESCRIPCION | 6BM7 | 6BN7 | REMARKS OBSERVACIONES |
|----------|--------------------|---|------|------|--------------------------------|
| 1 | 703-48207-1B | REMOTE CONTROL ASSY (10P) REMOTO CONTROL COMPL. (10P) | 1 | | AP EXCEPT CAR AP EXCEPT CAR |
| 2 | 703-48261-01 | .ARM, THROTTLE .BRAZO ACELERADOR | 1 | | |
| 3 | 703-48153-00 | .SHAFT, FREE ACCEL. .EJE | 1 | | |
| 4 | 703-48235-00 | .BUSHING .BUJE | 1 | | |
| 5 | 703-48268-00 | .SPACER .ESPACIADOR 3 | 1 | | |
| 6 | 703-48264-00 | .FRICTION, THROTTLE .FRICCION DE ACELERADOR | 1 | | |
| 7 | 95380-05600 | .NUT .TUERCA | 1 | | |
| 8 | 97380-05025 | .BOLT .TORNILLO HEXAGONAL | 1 | | |
| 9 | 703-48265-00 | .SHAFT, FRICTION .EJE FRICCION | 1 | | |
| 10 | 93430-06024 | .CIRCLIP .SEGURO | 3 | | |
| 11 | 703-48245-00 | .PLATE, LOCK .PLACA CERRADURA | 1 | | |
| 12 | 703-48252-00 | .ROLLER, CAM .RODILLO LEVA | 1 | | |
| 13 | 701-48248-00 | .ROLLER, FREE ACCEL. .RODILLO ACELERADOR LIBRE | 1 | | |
| 14 | 703-48198-00 | .WASHER, WAVE .RONDANA ONDULADA 3 | 1 | | |
| 15 | 703-48243-00 | .BUSHING .BUJE 3 | 1 | | |
| 16 | 703-48236-00 | .BUSHING 1 .BUJE | 2 | | |
| 17 | 703-48189-00 | .RETAINER .RETENEDOR | 1 | | |
| 18 | 703-48234-00 | .ROLLER, DETENT .RODILLO | 1 | | |
| 19 | 703-48345-01 | .CABLE END, REMOTE CONTROL 2 .TERMINAL CABLE DE CONTROL REMO | 2 | | |
| 20 | 703-48358-00 | .ANCHOR, CABLE .ABRAZADERA CABLE | 1 | | |
| 21 | 703-48244-00 | .SPRING, FREE ACCEL. .RESORTE ACELERADOR LIBRE | 1 | | |
| 22 | 703-48238-00 | .SPRING, DETENT .RESORTE | 5 | | |
| 23 | 703-48246-00 | .SPACER .ESPACIADOR | 1 | | |
| 24 | 703-48227-00 | .SPRING, NEUTRAL LOCK .RESORTE DE SEGURO | 1 | | |
| 25 | 703-82594-00 | .CLAMP .GRAMPA | 1 | | WITH P/T SW. WITH P/T SW. |
| 26 | 703-48226-00 | .PLATE, STOPPER .PLACA RETEN | 1 | | |
| 27 | 703-48222-00 | .GRIP, CONTROL LEVER .MANGO DE PALANCA CONTROL | 1 | | SINGLE SINGLE |

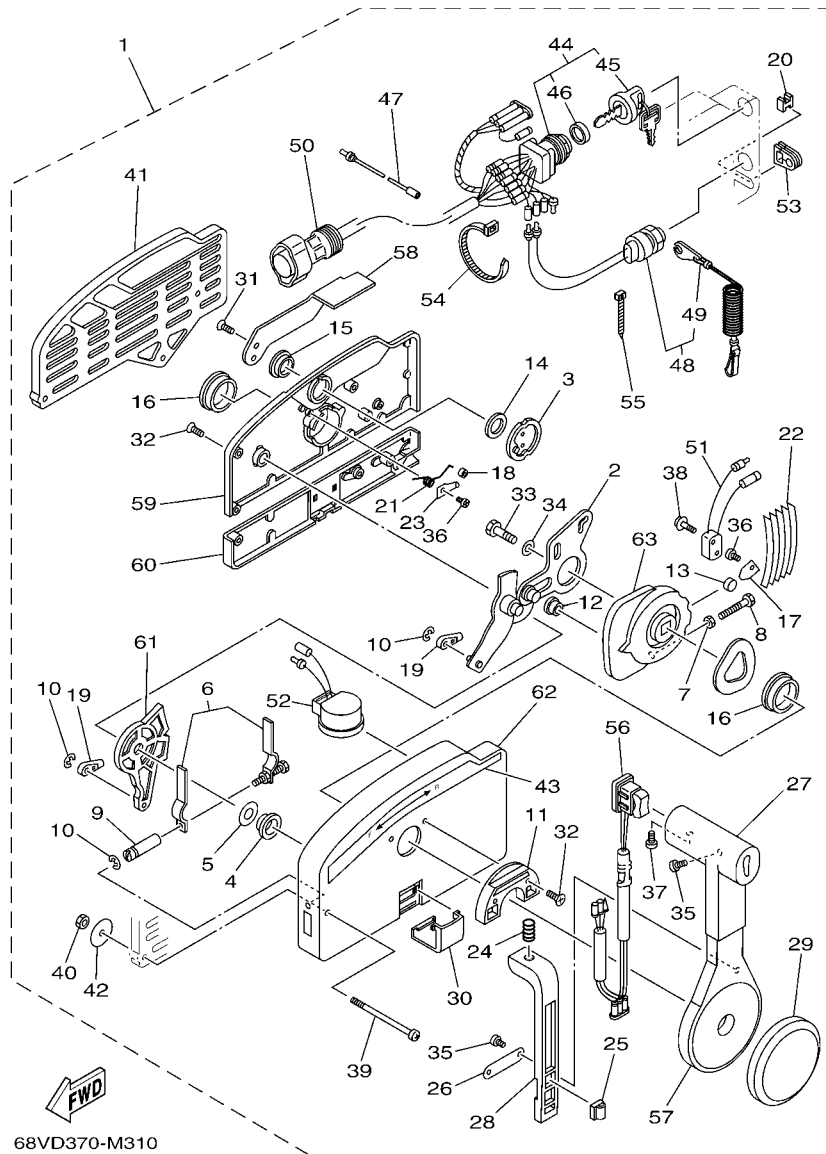


FIG. 34 REMOTE CONTROL ASSY 1 CONTROL REMOTO COMPL 1

| REF. NO. | PART NO. CODIGO Nº | DESCRIPTION DESCRIPCION | 6BM7 | 6BN7 | REMARKS OBSERVACIONES |
|----------|--------------------|--|------|------|-----------------------|
| 28 | 703-48223-00 | .LOCK, NEUTRAL .CERRADURA NEUTRO | 1 | | |
| 29 | 703-48225-00 | .COVER .CUBIERTA | 1 | | |
| 30 | 703-48219-00 | .COVER, LEAD .CUBIERTA | 1 | | |
| 31 | 703-48281-00 | .SCREW .TORNILLO 1 | 2 | | |
| 32 | 703-44189-00 | .SCREW .TORNILLO | 7 | | |
| 33 | 97380-08030 | .BOLT .TORNILLO HEXAGONAL | 1 | | |
| 34 | 92990-08600 | .WASHER, PLATE .ARANDELA PLANA | 1 | | |
| 35 | 98580-04010 | .SCREW, PAN HEAD .TORNILLO DE CABEZA CRUZADA | 3 | | |
| 36 | 98580-04006 | .SCREW, PAN HEAD .TORNILLO DE CABEZA CRUZADA | 2 | | |
| 37 | 98580-05010 | .SCREW, PAN HEAD .TORNILLO DE CABEZA CRUZADA | 1 | | |
| 38 | 703-48129-00 | .SCREW 3 .TORNILLO 3 | 2 | | |
| 39 | 703-44189-10 | .SCREW .TORNILLO | 3 | | |
| 40 | 95380-06600 | .NUT, HEXAGON .TUERCA | 3 | | |
| 41 | 703-48293-10 | .SPACER, REMOTE CONTROL .ESPACIADOR | 1 | | SINGLE SINGLE |
| 42 | 701-48287-00 | .WASHER .ARANDELA | 3 | | |
| 43 | 703-48215-00 | .GRAPHIC .CALCOMANIA 1 | 1 | | |
| 44 | 703-82510-44 | .MAIN SWITCH ASSY .CONJUNTO DE LLAVE IGNICION | 1 | | |
| 45 | 703-82577-00 | .CAP, KEY .TAPA | 1 | | |
| 46 | 6K1-82532-00 | .CAP .TAPA | 1 | | |
| 47 | 703-82531-00 | .WIRE, LEAD (L70) .CABLE CONDUCTOR (L70) | 1 | | |
| 48 | 688-82575-01 | .ENGINE STOP SWITCH ASSY .INTERRUPTOR DE PARADA COMPL | 1 | | |
| 49 | 682-82556-00 | .LANYARD, STOP SWITCH .CORDON DE INTERRUPTOR PARADA | 1 | | |
| 50 | 688-8258A-20 | .EXTENSION, WIRE HARNESS (4.9M) .EXTENSION, ARNES DE CABLES (4) | 1 | | (10P) (10P) |
| 51 | 703-82540-00 | .NEUTRAL SWITCH ASSY .INTERRUPTOR NEUTRAL COMPL | 1 | | |
| 52 | 703-83383-11 | .BUZZER .ZUMBADOR | 1 | | |
| 53 | 703-48284-10 | .GROMMET .TAPON | 1 | | |
| 54 | 703-82591-00 | .BAND .BANDA | 3 | | |

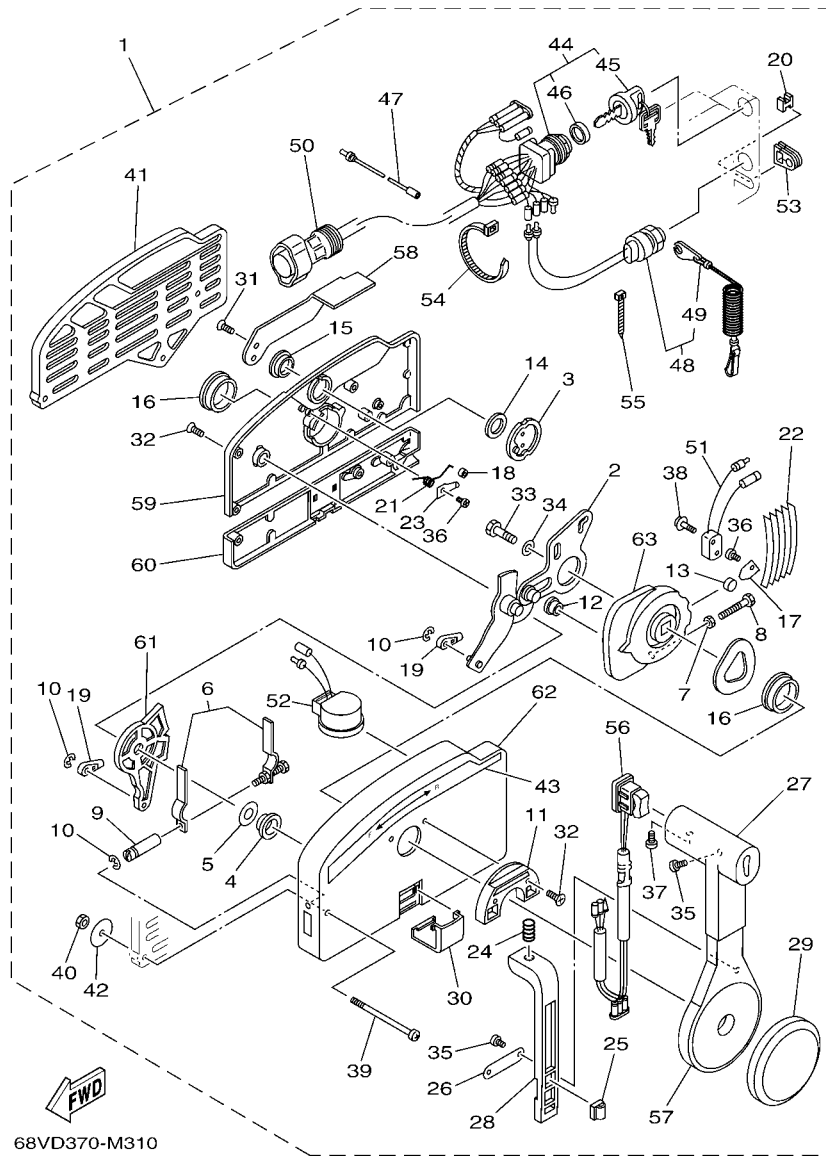
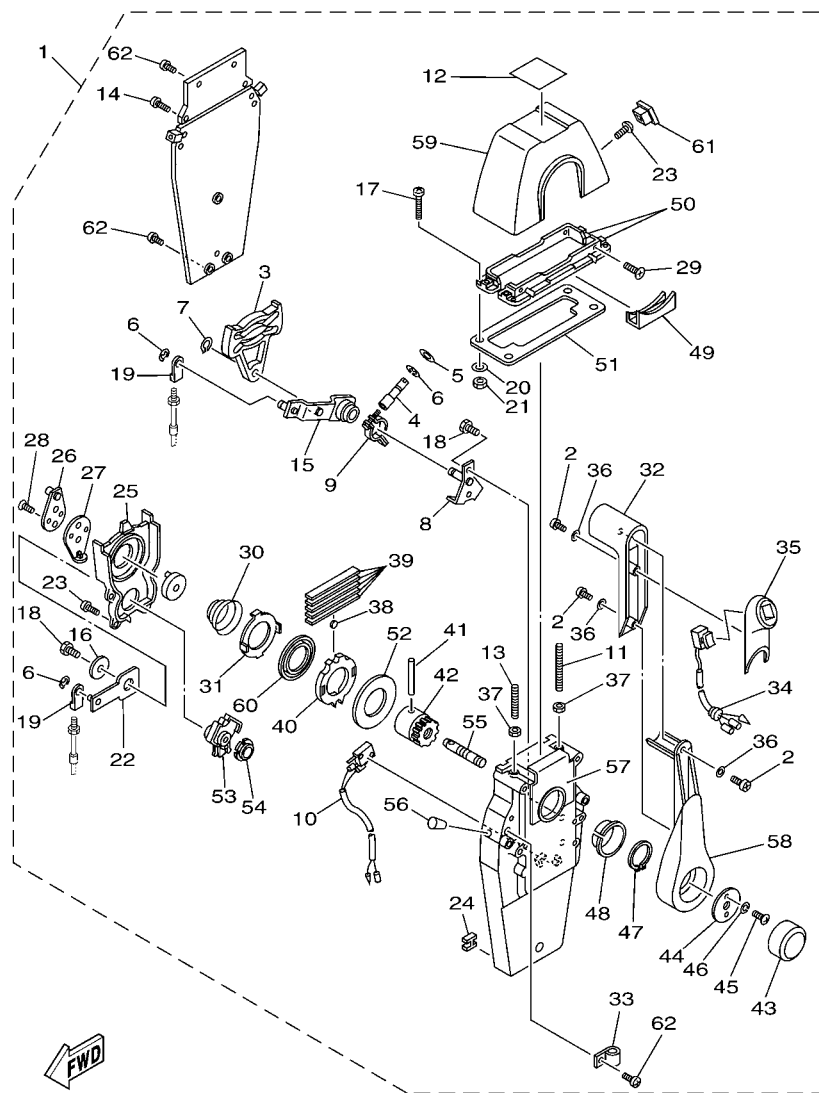


FIG. 34 REMOTE CONTROL ASSY 1 CONTROL REMOTO COMPL 1

| REF. NO. | PART NO. CODIGO Nº | DESCRIPTION DESCRIPCION | 6BM7 | 6BN7 | REMARKS OBSERVACIONES |
|----------|--------------------|---|------|------|--------------------------------|
| 55 | 703-82592-00 | .BAND .BANDA | 1 | | |
| 56 | 703-82563-12 | .TRIM & TILT SWITCH ASSY .INTERRUPTOR DE INCLINACION | 1 | | WITH PT/T SW. WITH PT/T SW. |
| 57 | 703-48221-00 | .LEVER, CONTROL .PALANCA CONTROL | 1 | | |
| 58 | 703-48152-00 | .KNOB, FREE ACCEL. .PERILLA | 1 | | |
| 59 | 703-48212-00 | .BACK PLATE 1 .PLACA TRASERA 1 | 1 | | |
| 60 | 703-48213-00 | .BACK PLATE 2 .PLACA TRASERA 2 | 1 | | |
| 61 | 703-48271-00 | .ARM, SHIFT .BRAZO CAMBIADOR | 1 | | |
| 62 | 703-48211-02 | .HOUSING,1 .CAJA | 1 | | |
| 63 | 703-48232-00 | .GEAR .ENGRANAJE 1 | 1 | | |

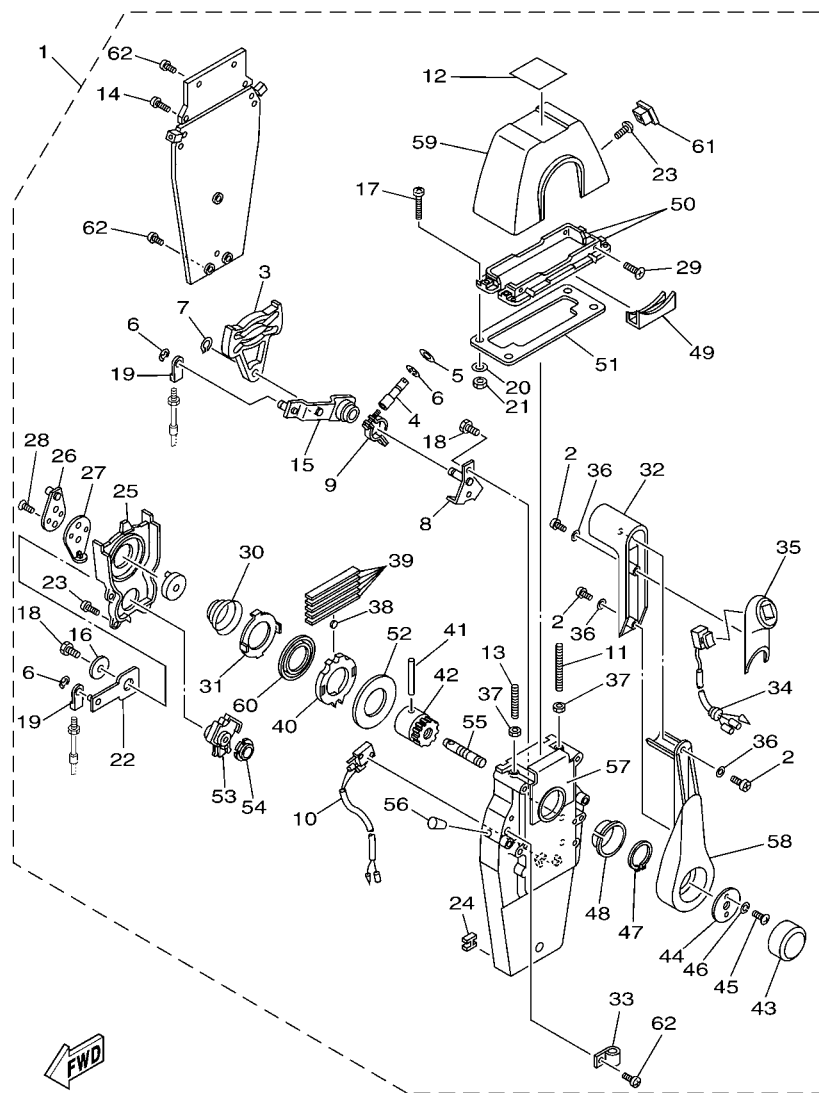
FIG. 35 REMOTE CONTROL ASSY 2 CONTROL REMOTO COMPL 2



6C23100-F340

| REF. NO. | PART NO. CODIGO Nº | DESCRIPTION DESCRIPCION | 6BM7 | 6BN7 | REMARKS OBSERVACIONES |
|----------|--------------------|---|------|------|--|
| 1 | 704-48205-P1 | REMOTE CONTROL ASSY (RIGHT) REMOTO CONTROL COMPL (RECTO) | 1 | | AP CAR WITH PT/T SW. AP CAR WITH PT/T SW. |
| 2 | 704-48129-00 | .SCREW 3 .TORNILLO 3 | 3 | | |
| 3 | EL8-48251-00 | .PLATE, CAM .PLACA, LEVA | 1 | | |
| 4 | 704-48265-00 | .SHAFT, FRICTION .EJE FRICCION | 1 | | |
| 5 | 701-48246-00 | .SPACER .ESPACIADOR | 1 | | |
| 6 | 93430-06024 | .CIRCLIP .SEGURO | 4 | | |
| 7 | EL8-48259-00 | .CIRCLIP 1 .SEGURO | 1 | | |
| 8 | 704-48262-00 | .SHAFT, THROTTLE .EJE DE ACELERADOR | 1 | | |
| 9 | 704-48264-00 | .THROTTLE, FRICTION .FRICCION DE ACELERADOR | 1 | | |
| 10 | 704-82540-20 | .NEUTRAL SWITCH ASSY .INTERRUPTOR NEUTRAL COMPL | 1 | | |
| 11 | EL8-48281-00 | .SCREW .TORNILLO 1 | 1 | | |
| 12 | 704-48215-20 | .GRAPHIC .CALCOMANIA 1 | 1 | | |
| 13 | 704-48281-00 | .SCREW .TORNILLO 1 | 1 | | |
| 14 | 97890-05025 | .SCREW, PAN HEAD .TORNILLO | 2 | | |
| 15 | 704-48261-00 | .ARM, THROTTLE .BRAZO ACELERADOR | 1 | | |
| 16 | EL8-48191-00 | .WASHER 1 .ARANDELA | 1 | | |
| 17 | 704-48283-00 | .SCREW .TORNILLO 3 | 4 | | |
| 18 | 97380-06018 | .BOLT .TORNILLO HEXAGONAL | 3 | | |
| 19 | 703-48345-01 | .CABLE END, REMOTE CONTROL 2 .TERMINAL CABLE DE CONTROL REMO | 2 | | |
| 20 | 704-48287-00 | .WASHER .ARANDELA | 4 | | |
| 21 | 95380-05600 | .NUT .TUERCA | 4 | | |
| 22 | 704-48271-00 | .ARM, SHIFT .BRAZO CAMBIADOR | 1 | | |
| 23 | EL8-48127-00 | .SCREW 1 .TORNILLO 1 | 10 | | |
| 24 | 703-48358-00 | .ANCHOR, CABLE .ABRAZADERA CABLE | 1 | | |
| 25 | 704-48231-00 | .HOUSING, GEAR .CAJA, ENGRANAJE | 1 | | |
| 26 | EL8-48241-00 | .ARM, DRIVE .BRAZO, MANDO | 1 | | |
| 27 | EL8-48254-00 | .STOPPER, THROTTLE ADJUSTING .TAPON | 1 | | |

FIG. 35 REMOTE CONTROL ASSY 2 CONTROL REMOTO COMPL 2

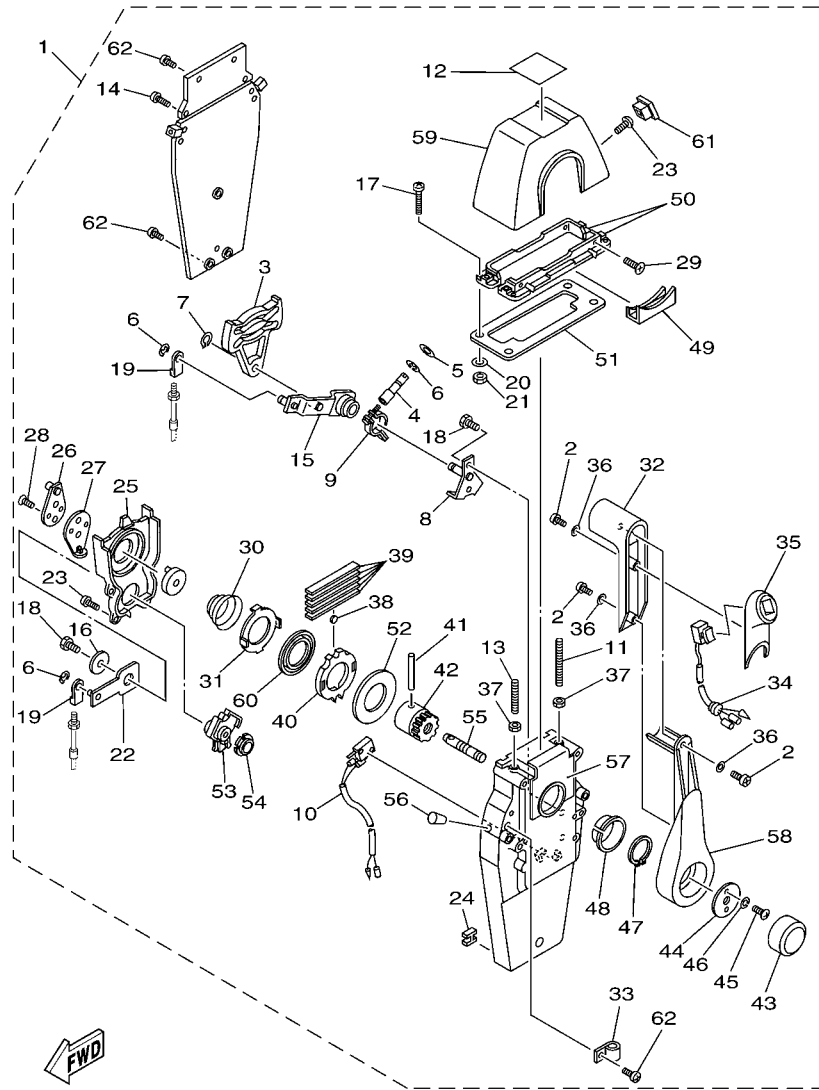


6C23100-F340

| REF. NO. | PART NO. CODIGO Nº | DESCRIPTION DESCRIPCION | 6BM7 | 6BN7 | REMARKS OBSERVACIONES |
|----------|--------------------|---|------|------|-----------------------|
| 28 | 92780-06020 | .SCREW, FLAT HEAD .TORNILLO CABEZA PLANA | 2 | | |
| 29 | 98780-05018 | .SCREW, FLAT HEAD .TORNILLO CABEZA PLANA | 4 | | |
| 30 | EL8-48244-00 | .SPRING, FREE ACCEL. .RESORTE ACELERADOR LIBRE | 1 | | |
| 31 | EL8-48245-00 | .PLATE, LOCK .PLACA CERRADURA | 1 | | |
| 32 | 704-48222-P0 | .GRIP, CONTROL LEVER .MANGO DE PALANCA CONTROL | 1 | | |
| 33 | 704-82594-00 | .CLAMP .GRAMPA | 1 | | |
| 34 | 704-82563-41 | .TRIM & TILT SWITCH ASSY .INTERRUPTOR DE INCLINACION | 1 | | |
| 35 | 704-48229-P1 | .GRIP, CONTROL LEVER .MANGO DE PALANCA CONTROL 2 | 1 | | |
| 36 | 92990-05300 | .WASHER, INTERNAL TOOTH .ARANDELA PLANA | 3 | | |
| 37 | 95380-06600 | .NUT, HEXAGON .TUERCA | 2 | | |
| 38 | 701-48248-00 | .ROLLER, FREE ACCEL. .RODILLO ACELERADOR LIBRE | 1 | | |
| 39 | 704-48238-00 | .SPRING, DETENT .RESORTE | 5 | | |
| 40 | 704-48232-P1 | .GEAR .ENGRANAJE 1 | 1 | | |
| 41 | EL8-48164-00 | .PIN 2 .PASADOR 2 | 1 | | |
| 42 | 704-48242-10 | .SHAFT, DRIVE .EJE, PROPULSION | 1 | | |
| 43 | 6X3-48225-20 | .COVER .CUBIERTA | 1 | | |
| 44 | 704-48192-00 | .WASHER 2 .RONDANA 2 | 1 | | |
| 45 | 97890-06018 | .SCREW, PAN HEAD .TORNILLO | 2 | | |
| 46 | 92990-06300 | .WASHER, INTERNAL TOOTH .ARANDELA PLANA | 2 | | |
| 47 | EL8-48279-00 | .CIRCLIP 2 .SEGURO2 | 1 | | |
| 48 | 704-48234-00 | .BUSHING 1 .BUJE | 1 | | |
| 49 | 704-48219-P0 | .COVER, LEAD .CUBIERTA | 1 | | |
| 50 | 704-48144-10 | .PLATE, STOPPER 2 .PLACA, RETEN 2 | 2 | | |
| 51 | 704-48176-00 | .GROMMET .TOPON | 1 | | |
| 52 | 704-48192-P0 | .WASHER 2 .RONDANA 2 | 1 | | |
| 53 | 704-48233-00 | .GEAR 2 .ENGRANAJE 2 | 1 | | |
| 54 | 704-48235-00 | .BUSHING .BUJE | 1 | | |

FIG. 35 REMOTE CONTROL ASSY 2

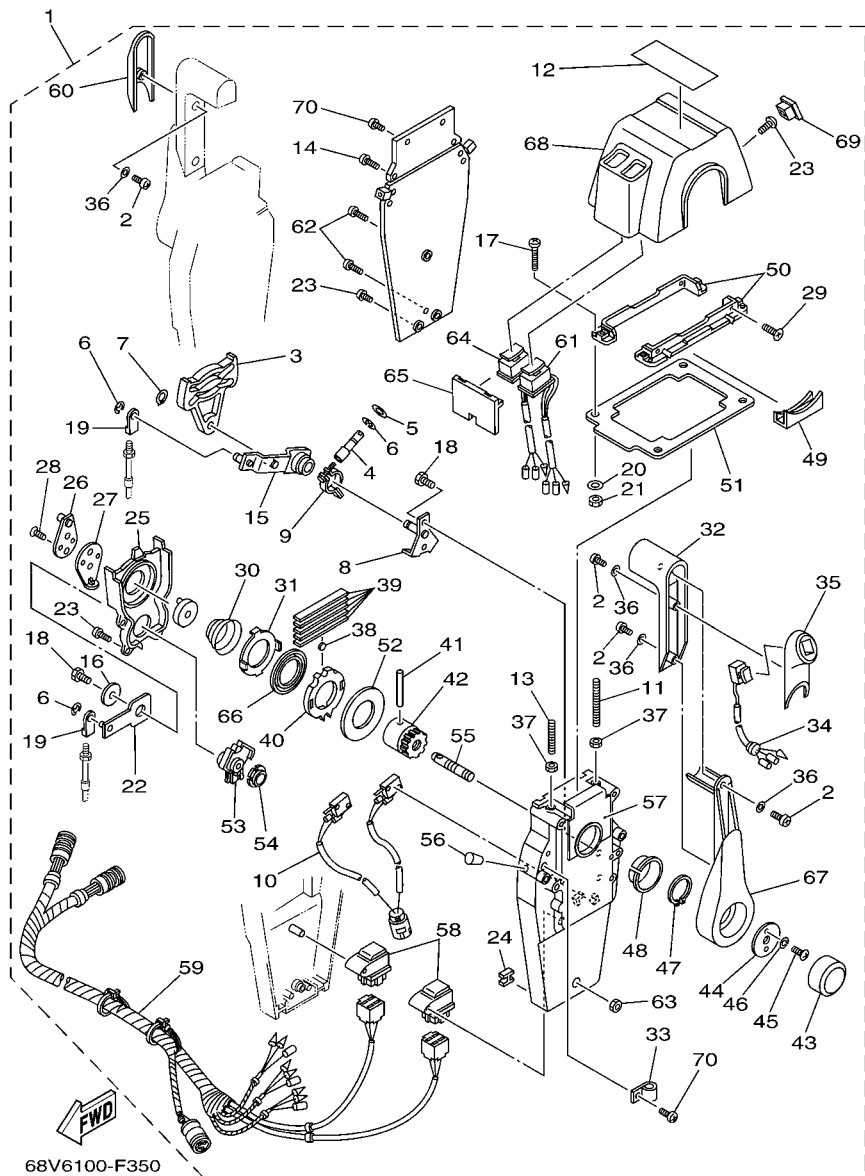
CONTROL REMOTO COMPL 2



6C23100-F340

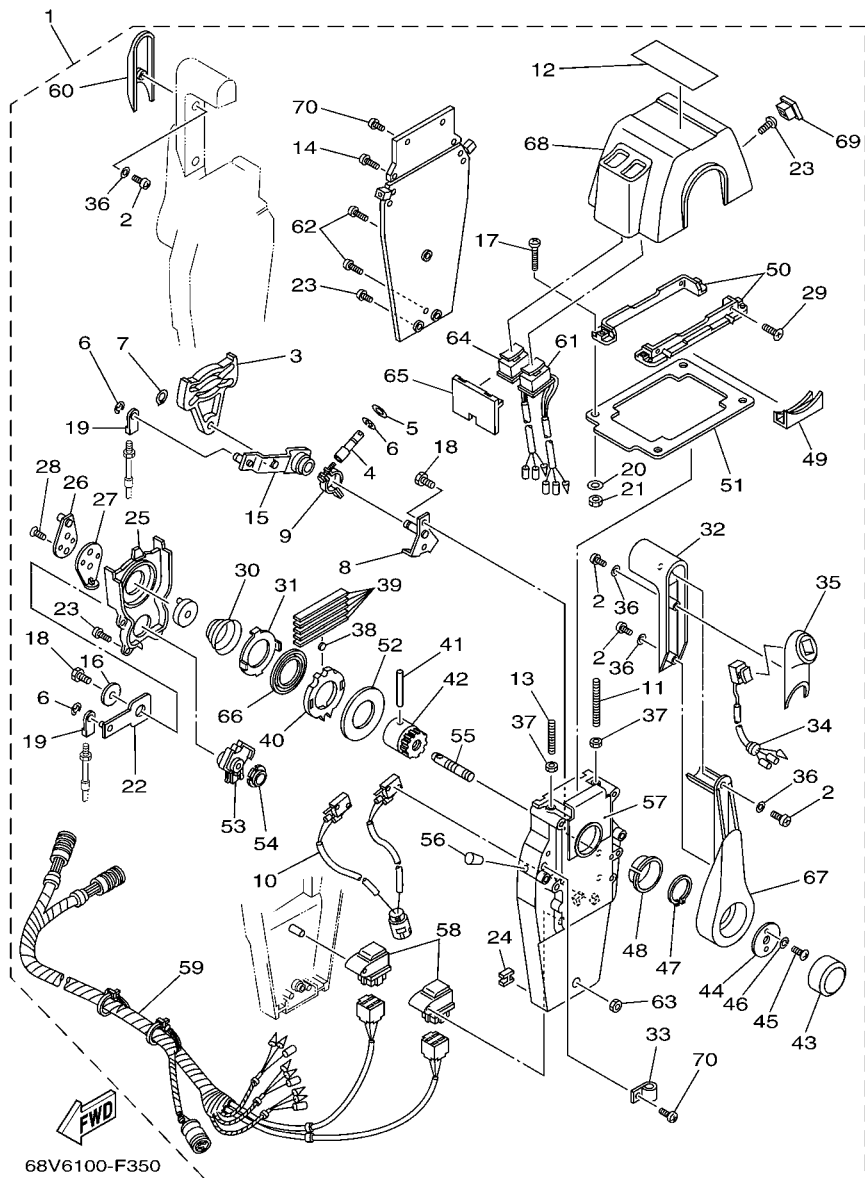
| REF. NO. | PART NO. CODIGO Nº | DESCRIPTION DESCRIPCION | 6BM7 | 6BN7 | | | REMARKS OBSERVACIONES |
|----------|--------------------|-------------------------------------|------|------|--|--|-----------------------|
| 55 | 704-48153-00 | .SHAFT, FREE ACCEL. .EJE | 1 | | | | |
| 56 | 704-48166-00 | .PLUG .TAPON | 1 | | | | |
| 57 | 704-48284-P0 | .GROMMET .TAPON | 1 | | | | |
| 58 | 704-48221-P0 | .LEVER, CONTROL .PALANCA CONTROL | 1 | | | | |
| 59 | 704-48119-31 | .COVER .CUBIERTA | 1 | | | | |
| 60 | 704-48178-10 | .PLATE, SHIFT .PLACA | 1 | | | | |
| 61 | 704-48167-01 | .PLUG .TAPON AGUJERO | 1 | | | | |
| 62 | 97890-05016 | .SCREW, PAN HEAD .TORNILLO | 3 | | | | |
| | | | | | | | |
| | | | | | | | |
| | | | | | | | |
| | | | | | | | |
| | | | | | | | |
| | | | | | | | |
| | | | | | | | |
| | | | | | | | |
| | | | | | | | |

FIG. 36 REMOTE CONTROL ASSY 3 CONTROL REMOTO COMPL 3



| REF. NO. | PART NO. CODIGO Nº | DESCRIPTION DESCRIPCION | 6BM7 | 6BN7 | REMARKS OBSERVACIONES |
|----------|--------------------|---|------|------|--------------------------------------|
| 1 | 704-48207-P1 | REMOTE CONTROL ASSY REMOTO CONTROL COMPL. | | 1 | AP WITH PT/T SW. AP WITH PT/T SW. |
| 2 | 704-48129-00 | .SCREW 3 .TORNILLO 3 | | 6 | |
| 3 | EL8-48251-00 | .PLATE, CAM .PLACA,LEVA | | 2 | |
| 4 | 704-48265-00 | .SHAFT, FRICTION .EJE FRICCION | | 2 | |
| 5 | 701-48246-00 | .SPACER .ESPACIADOR | | 2 | |
| 6 | 93430-06024 | .CIRCLIP .SEGURO | | 8 | |
| 7 | EL8-48259-00 | .CIRCLIP 1 .SEGURO | | 2 | |
| 8 | 704-48262-00 | .SHAFT, THROTTLE .EJE DE ACELERADOR | | 2 | |
| 9 | 704-48264-00 | .THROTTLE, FRICTION .FRICCION DE ACELERADOR | | 2 | |
| 10 | 704-82540-30 | .NEUTRAL SWITCH ASSY .INTERRUPTOR NEUTRAL COMPL | | 1 | |
| 11 | EL8-48281-00 | .SCREW .TORNILLO 1 | | 2 | |
| 12 | 704-48215-30 | .GRAPHIC .CALCOMANIA 1 | | 1 | |
| 13 | 704-48281-00 | .SCREW .TORNILLO 1 | | 2 | |
| 14 | 97890-05025 | .SCREW, PAN HEAD .TORNILLO | | 4 | |
| 15 | 704-48261-00 | .ARM, THROTTLE .BRAZO ACELERADOR | | 2 | |
| 16 | EL8-48191-00 | .WASHER 1 .ARANDELA | | 2 | |
| 17 | 704-48283-00 | .SCREW .TORNILLO 3 | | 4 | |
| 18 | 97380-06018 | .BOLT .TORNILLO HEXAGONAL | | 6 | |
| 19 | 703-48345-01 | .CABLE END, REMOTE CONTROL 2 .TERMINAL CABLE DE CONTROL REMO | | 4 | |
| 20 | 704-48287-00 | .WASHER .ARANDELA | | 4 | |
| 21 | 95380-05600 | .NUT .TUERCA | | 4 | |
| 22 | 704-48271-00 | .ARM, SHIFT .BRAZO CAMBIADOR | | 2 | |
| 23 | EL8-48127-00 | .SCREW 1 .TORNILLO 1 | | 18 | |
| 24 | 703-48358-00 | .ANCHOR, CABLE .ABRAZADERA CABLE | | 2 | |
| 25 | 704-48231-00 | .HOUSING, GEAR .CAJA,ENGRANAJE | | 2 | |
| 26 | EL8-48241-00 | .ARM, DRIVE .BRAZO,MANDO | | 2 | |
| 27 | EL8-48254-00 | .STOPPER, THROTTLE ADJUSTING .TAPON | | 2 | |

FIG. 36 REMOTE CONTROL ASSY 3 CONTROL REMOTO COMPL 3



| REF. NO. | PART NO. CODIGO Nº | DESCRIPTION DESCRIPCION | 6BM7 | 6BN7 | REMARKS OBSERVACIONES |
|----------|--------------------|---|------|------|-----------------------|
| 28 | 92780-06020 | .SCREW, FLAT HEAD .TORNILLO CABEZA PLANA | | 4 | |
| 29 | 98780-05018 | .SCREW, FLAT HEAD .TORNILLO CABEZA PLANA | | 4 | |
| 30 | EL8-48244-00 | .SPRING, FREE ACCEL. .RESORTE ACELERADOR LIBRE | | 2 | |
| 31 | EL8-48245-00 | .PLATE, LOCK .PLACA CERRADURA | | 2 | |
| 32 | 704-48222-P0 | .GRIP, CONTROL LEVER .MANGO DE PALANCA CONTROL | | 2 | |
| 33 | 704-82594-00 | .CLAMP .GRAMPA | | 1 | |
| 34 | 704-82563-51 | .TRIM & TILT SWITCH ASSY .INTERRUPTOR DE INCLINACION | | 1 | |
| 35 | 704-48229-P1 | .GRIP, CONTROL LEVER .MANGO DE PALANCA CONTROL 2 | | 1 | |
| 36 | 92990-05300 | .WASHER, INTERNAL TOOTH .ARANDELA PLANA | | 6 | |
| 37 | 95380-06600 | .NUT, HEXAGON .TUERCA | | 4 | |
| 38 | 701-48248-00 | .ROLLER, FREE ACCEL. .RODILLO ACELERADOR LIBRE | | 2 | |
| 39 | 704-48238-00 | .SPRING, DETENT .RESORTE | | 10 | |
| 40 | 704-48232-P1 | .GEAR .ENGRANAJE 1 | | 2 | |
| 41 | EL8-48164-00 | .PIN 2 .PASADOR 2 | | 2 | |
| 42 | 704-48242-10 | .SHAFT, DRIVE .EJE, PROPULSION | | 2 | |
| 43 | 6X3-48225-20 | .COVER .CUBIERTA | | 2 | |
| 44 | 704-48192-00 | .WASHER 2 .RONDANA 2 | | 2 | |
| 45 | 97890-06018 | .SCREW, PAN HEAD .TORNILLO | | 4 | |
| 46 | 92990-06300 | .WASHER, INTERNAL TOOTH .ARANDELA PLANA | | 4 | |
| 47 | EL8-48279-00 | .CIRCLIP 2 .SEGURO2 | | 2 | |
| 48 | 704-48234-00 | .BUSHING 1 .BUJE | | 2 | |
| 49 | 704-48219-P0 | .COVER, LEAD .CUBIERTA | | 2 | |
| 50 | 704-48144-20 | .PLATE, STOPPER 2 .PLACA, RETEN 2 | | 2 | |
| 51 | 704-48176-10 | .GROMMET .TOPON | | 1 | |
| 52 | 704-48192-P0 | .WASHER 2 .RONDANA 2 | | 2 | |
| 53 | 704-48233-00 | .GEAR 2 .ENGRANAJE 2 | | 2 | |
| 54 | 704-48235-00 | .BUSHING .BUJE | | 2 | |

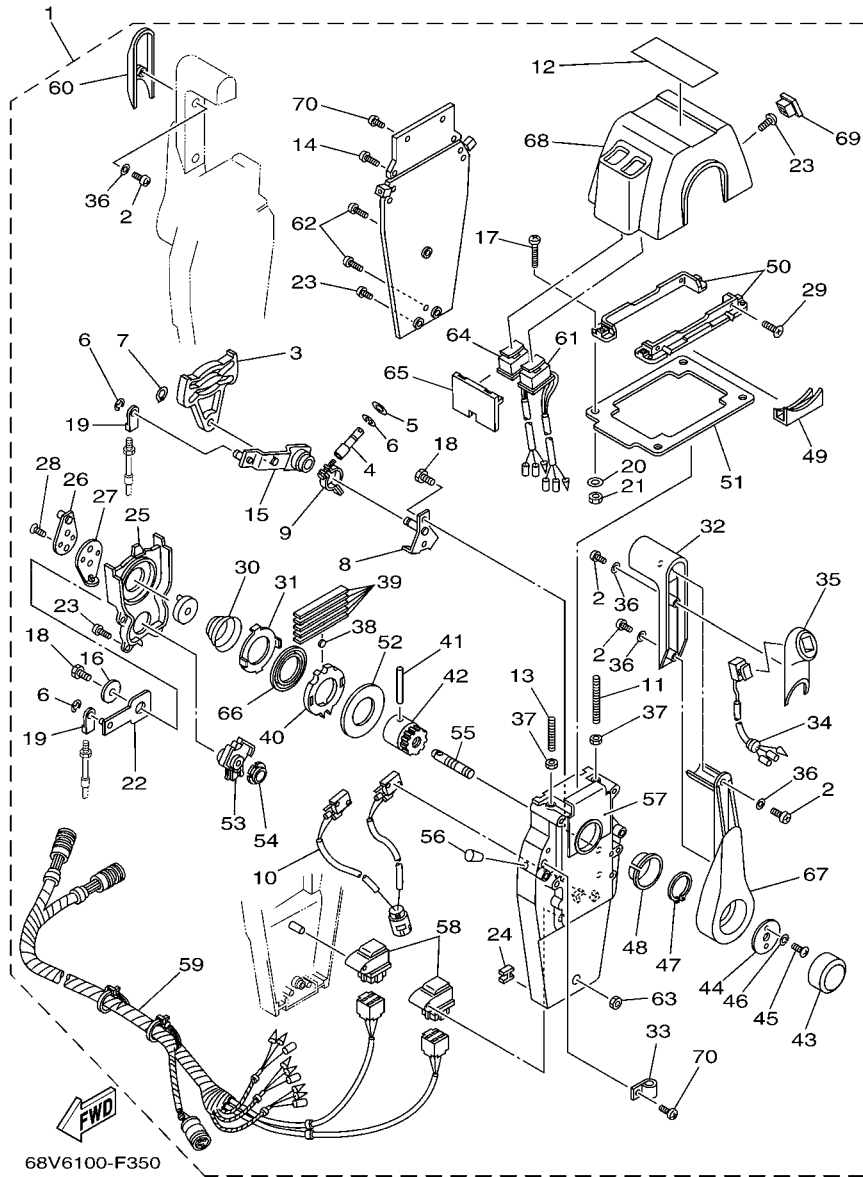
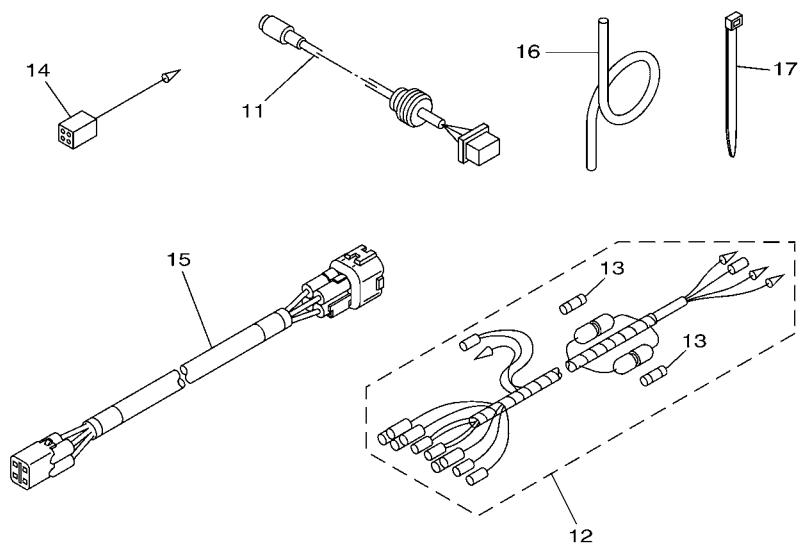
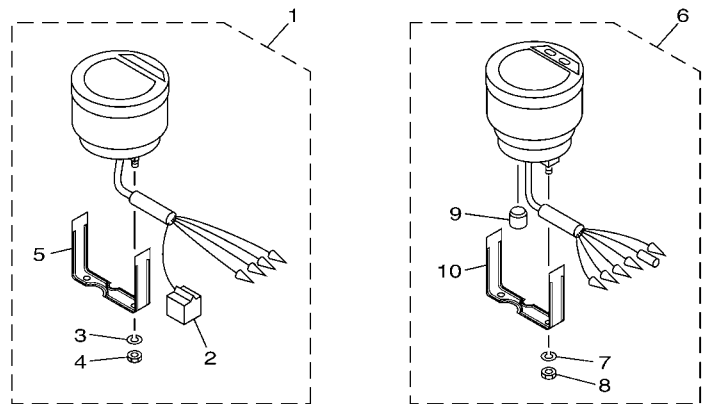


FIG. 36 REMOTE CONTROL ASSY 3 CONTROL REMOTO COMPL 3

| REF. NO. | PART NO. CODIGO Nº | DESCRIPTION DESCRIPCION | 6BM7 | 6BN7 | REMARKS OBSERVACIONES |
|----------|--------------------|---|------|------|-----------------------|
| 55 | 704-48153-00 | .SHAFT, FREE ACCEL. .EJE | | 2 | |
| 56 | 704-48166-00 | .PLUG .TAPON | | 2 | |
| 57 | 704-48284-P0 | .GROMMET .TAPON | | 2 | |
| 58 | 704-81950-10 | .RELAY ASSY .RELE COMPLETO | | 2 | |
| 59 | 704-82590-10 | .WIRE HARNESS ASSY .CONJUNTO DE CABLES | | 1 | |
| 60 | 704-48229-R0 | .GRIP, CONTROL LEVER .MANGO DE PALANCA CONTROL 2 | | 1 | |
| 61 | 704-82563-H1 | .TRIM & TILT SWITCH ASSY .INTERRUPTOR DE INCLINACION | | 1 | |
| 62 | 704-48128-00 | .SCREW 2 .TORNILLO 2 | | 3 | |
| 63 | 704-48156-00 | .NUT 1 .TUERCA 1 | | 1 | |
| 64 | 704-82563-J1 | .TRIM & TILT SWITCH ASSY .INTERRUPTOR DE INCLINACION | | 1 | |
| 65 | 704-48285-10 | .GROMMET 2 .TAPON 2 | | 1 | |
| 66 | 704-48178-00 | .PLATE, SHIFT .PLACA | | 2 | |
| 67 | 704-48221-P0 | .LEVER, CONTROL .PALANCA CONTROL | | 2 | |
| 68 | 704-48119-41 | .COVER .CUBIERTA | | 1 | |
| 69 | 704-48167-11 | .PLUG .TAPON AGUJERO | | 1 | |
| 70 | 97890-05016 | .SCREW, PAN HEAD .TORNILLO | | 5 | |



6C14100-G370

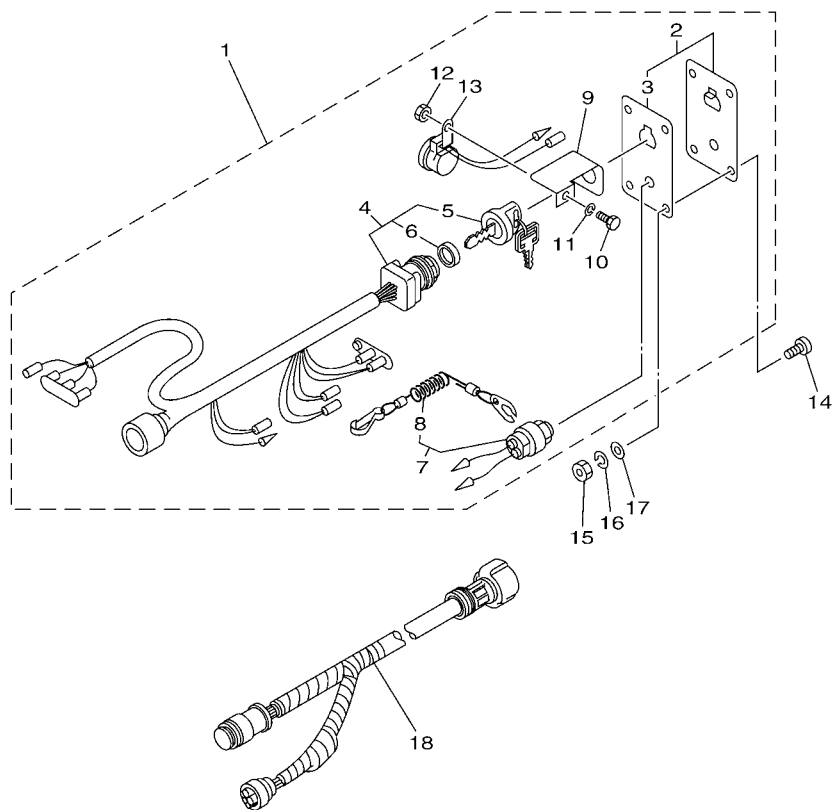
FIG. 37 METER

MEDIDOR

| REF. NO. | PART NO. CODIGO Nº | DESCRIPTION DESCRIPCION | 6BM7 | 6BN7 | REMARKS OBSERVACIONES |
|----------|--------------------|---|------|------|--|
| 1 | 6Y5-8350T-91 | DIGITAL TACHOMETER ASSY TACOMETRO DIGITAL COMPLETO | 1 | 1 | AP EXCEPT CAR,CHN AP EXCEPT CAR,CHN |
| 2 | 9E450-04533 | .CONNECTOR .CONECTOR | 1 | 1 | F-4-W F-4-W |
| 3 | 92990-04100 | .WASHER, SPRING .ARANDELA PLANA | 2 | 2 | |
| 4 | 95380-04600 | .NUT .TUERCA | 2 | 2 | |
| 5 | 6Y5-8355X-T1 | .BRACKET, METER 1 .SOSTEN | 1 | 1 | |
| 6 | 6Y5-83570-S6 | SPEEDOMETER ASSY VELOCIMETRO COMPLETO | 1 | | AP EXCEPT CAR,CHN AP EXCEPT CAR,CHN |
| 7 | 92990-04100 | .WASHER, SPRING .ARANDELA PLANA | 2 | | |
| 8 | 95380-04600 | .NUT .TUERCA | 2 | | |
| 9 | 6Y5-83533-T2 | .GROMMET .ANILLO PROTECTOR | 1 | | |
| 10 | 6Y5-8355X-T1 | .BRACKET, METER 1 .SOSTEN | 1 | | |
| 11 | 6Y5-87122-S0 | CORD ASSY 1 CABLE COMPLETA 1 | 1 | | AP EXCEPT CAR,CHN AP EXCEPT CAR,CHN |
| 12 | 6Y5-83553-M0 | WIRE, LEAD (L=2.5M) CABLE CONDUCTOR (L=2.5M) | 1 | | AP EXCEPT CAR,CHN AP EXCEPT CAR,CHN |
| | 6Y5-83553-00 | WIRE, LEAD (L=2.5M) CABLE CONDUCTOR (L=2.5M) | | 1 | AP EXCEPT CAR AP EXCEPT CAR |
| 13 | 1E6-82151-00 | .FUSE (10A) .FUSIBLE (10A) | 2 | | FOR 6Y5-83553-M0 FOR 6Y5-83553-M0 |
| | 1E6-82151-00 | .FUSE (10A) .FUSIBLE (10A) | | 1 | FOR 6Y5-83553-00 FOR 6Y5-83553-00 |
| 14 | 6Y5-82117-00 | WIRE, LEAD (BLACK) (L300) CABLE, CONDUCTOR (NEGRO) | 1 | | AP EXCEPT CAR,CHN AP EXCEPT CAR,CHN |
| 15 | 6Y5-83653-30 | WIRE, LEAD (L=8.0M) CABLE CONDUCTOR (L=8.0M) | 1 | | AP EXCEPT CAR,CHN AP EXCEPT CAR,CHN |
| | 6Y5-83653-40 | WIRE, LEAD (L=9.0M) CABLE CONDUCTOR (L=9.0M) | | 1 | AP EXCEPT CAR AP EXCEPT CAR |
| 16 | 6Y5-83557-10 | TUBE (8M) TUBO (8M) | 1 | | AP EXCEPT CAR,CHN AP EXCEPT CAR,CHN |
| 17 | 90465-11M10 | CLAMP BRIDA | 2 | | AP EXCEPT CAR,CHN AP EXCEPT CAR,CHN |

FIG. 38 SWITCH & PANEL 1

PANEL DE INTERRUPTOR 1




6BM4200-L370

| REF. NO. | PART NO. CODIGO Nº | DESCRIPTION DESCRIPCION | 6BM7 | 6BN7 | REMARKS OBSERVACIONES |
|----------|--------------------|---|------|------|--|
| 1 | 6R5-82570-06 | PANEL SWITCH ASSY INTERRUPTOR DE PANEL COMPL. | 1 | | AP FOR CAR AP FOR CAR |
| 2 | 704-82571-02 | .PANEL, SWITCH .PANEL DE INTERRUPTOR | 1 | | |
| 3 | 6R5-82588-01 | ..PLATE ..PLACA | 1 | | |
| 4 | 6R5-82510-03 | .MAIN SWITCH ASSY .CONJUNTO DE LLAVE IGNICION | 1 | | |
| 5 | 676-82577-01 | ..CAP, KEY ..TAPA | 1 | | |
| 6 | 703-82532-00 | ..CAP ..TAPA | 1 | | |
| 7 | 688-82575-01 | .ENGINE STOP SWITCH ASSY .INTERRUPTOR DE PARADA COMPL | 1 | | |
| 8 | 682-82556-00 | ..LANYARD, STOP SWITCH ..CORDON DE INTERRUPTOR PARADA | 1 | | |
| 9 | 64D-82581-00 | .STAY, CORD CLAMP .SOPORTE DE GRAMPA DE CABLE | 1 | | |
| 10 | 97303-05012 | .BOLT .TORNILLO | 1 | | |
| 11 | 92903-05100 | .WASHER, SPRING .RONDANA SENCILLA | 1 | | |
| 12 | 95303-05700 | .NUT .TUERCA | 1 | | |
| 13 | 6R5-83383-00 | .BUZZER .ZUMBADOR | 1 | | |
| 14 | 90149-05M05 | SCREW TORNILLO DE REGLAJE | 4 | | AP FOR CAR AP FOR CAR |
| 15 | 95303-05600 | NUT TUERCA | 4 | | AP FOR CAR AP FOR CAR AP FOR CAR |
| 16 | 92903-05100 | WASHER, SPRING RONDANA SENCILLA | 4 | | AP FOR CAR AP FOR CAR |
| 17 | 92903-05600 | WASHER, PLATE RONDANA SENCILLA | 4 | | AP FOR CAR AP FOR CAR |
| 18 | 6K1-8258A-40 | EXTENSION, WIRE HARNESS (8M) EXTENSION, ARNES DE CABLES (8M) | 1 | | AP FOR CAR (10P) AP FOR CAR (10P) |

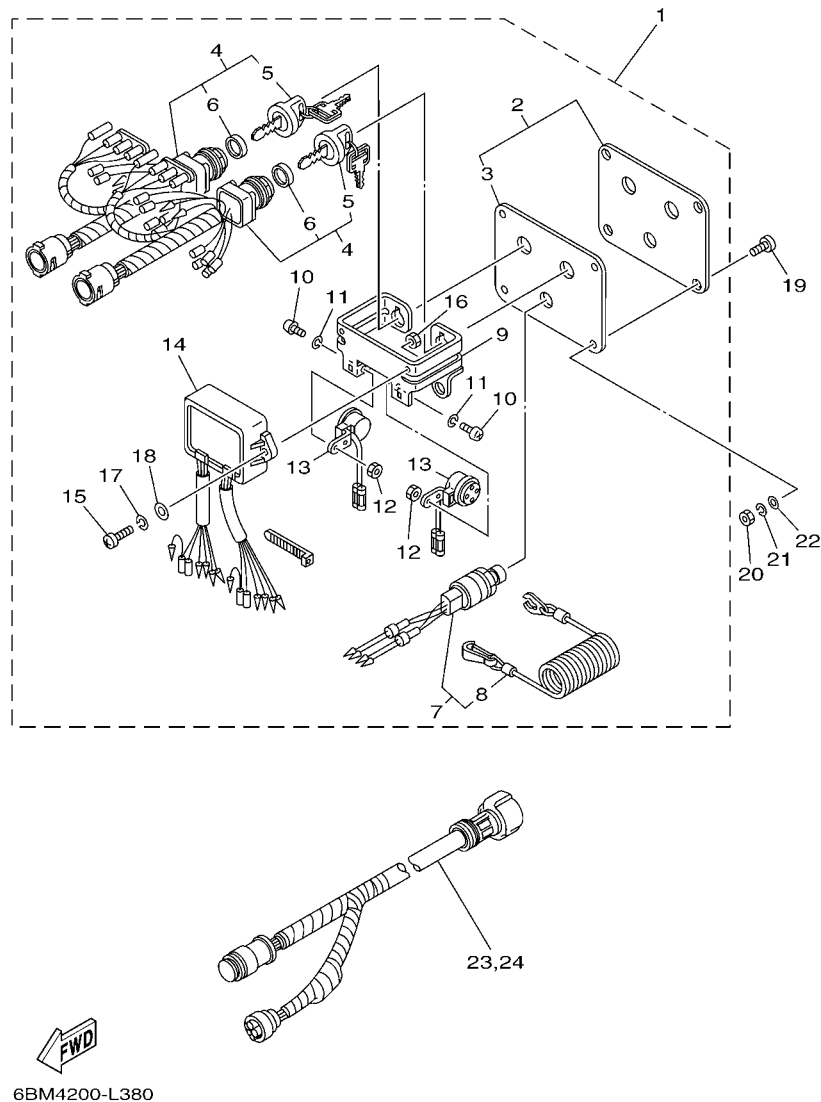
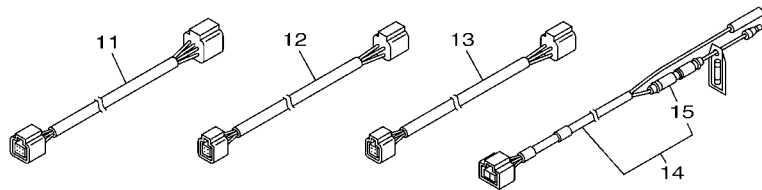
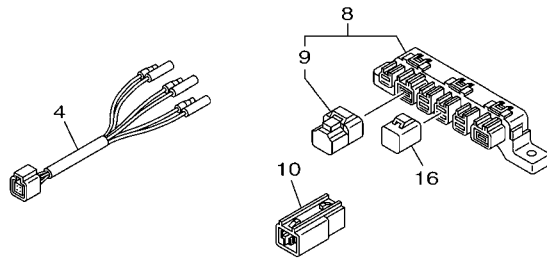
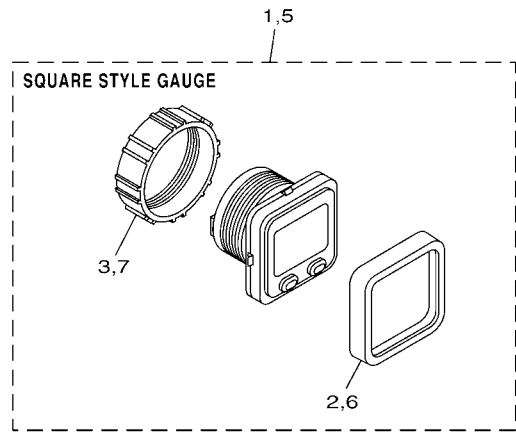


FIG. 39 SWITCH & PANEL 2

PANEL DE INTERRUPTOR 2

| REF. NO. | PART NO. CODIGO N° | DESCRIPTION DESCRIPCION | 6BM7 | 6BN7 | REMARKS OBSERVACIONES |
|----------|--------------------|--|------|------|--|
| 1 | 61B-82570-05 | PANEL SWITCH ASSY INTERRUPTOR DE PANEL COMPL. | | 1 | AP EXCEPT FOR CAR AP EXCEPT FOR CAR |
| 2 | 6K1-82571-02 | .PLATE, PANEL SWITCH .PANEL DE INTERRUPTOR | | 1 | |
| 3 | 61B-82588-01 | ..PLATE ..PLACA | | 1 | |
| 4 | 61B-82510-02 | .MAIN SWITCH ASSY .CONJUNTO DE LLAVE IGNICION | | 2 | |
| 5 | 676-82577-01 | ..CAP, KEY ..TAPA | | 1 | |
| 6 | 703-82532-00 | ..CAP ..TAPA | | 1 | |
| 7 | 6K1-82575-00 | .ENGINE STOP SWITCH ASSY .INTERRUPTOR DE PARADA COMPL | | 1 | |
| 8 | 682-82556-00 | ..LANYARD, STOP SWITCH ..CORDON DE INTERRUPTOR PARADA | | 1 | |
| 9 | 6K1-83614-01 | .BRACKET .SOPORTE | | 1 | |
| 10 | 98980-05010 | .SCREW, BIND .TORNILLO DE LIGAR | | 2 | |
| 11 | 92990-05100 | .WASHER, SPRING .ARANDELA PLANA | | 2 | |
| 12 | 95380-05600 | .NUT .TUERCA | | 2 | |
| 13 | 6R5-83383-00 | .BUZZER .ZUMBADOR | | 2 | |
| 14 | 61B-85830-01 | .CONTROL UNIT ASSY .UNIDAD CONTROL | | 1 | |
| 15 | 98980-06020 | .SCREW, BIND .TORNILLO DE LIGAR | | 2 | |
| 16 | 95380-06600 | .NUT, HEXAGON .TUERCA | | 2 | |
| 17 | 92990-06100 | .WASHER, SPRING .ARANDELA PLANA | | 2 | |
| 18 | 92990-06600 | .WASHER, PLATE .ARANDELA PLANA | | 2 | |
| 19 | 90149-05M05 | SCREW TORNILLO DE REGLAJE | | 4 | AP EXCEPT FOR CAR AP EXCEPT FOR CAR |
| 20 | 95380-05600 | NUT TUERCA | | 4 | AP EXCEPT FOR CAR AP EXCEPT FOR CAR |
| 21 | 92990-05100 | WASHER, SPRING ARANDELA PLANA | | 4 | AP EXCEPT FOR CAR AP EXCEPT FOR CAR |
| 22 | 92990-05600 | WASHER, PLATE ARANDELA PLANA | | 4 | AP EXCEPT FOR CAR AP EXCEPT FOR CAR |
| 23 | 6K1-8258A-40 | EXTENSION, WIRE HARNESS (8M) EXTENSION, ARNES DE CABLES (8M) | | 1 | AP EXCEPT FOR CAR AP EXCEPT FOR CAR |
| 24 | 61B-8258A-01 | EXTENSION, WIRE HARNESS (9.5M) EXTENSION, ARNES DE CABLES(9.5 | | 1 | AP EXCEPT FOR CAR AP EXCEPT FOR CAR |



6AL9200-M410

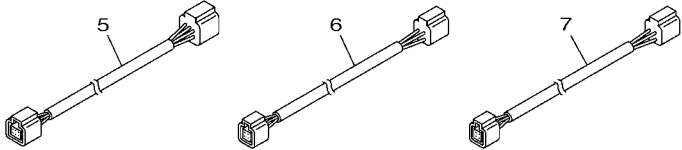
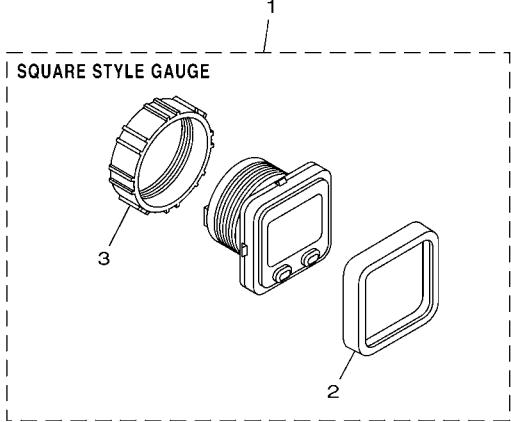
FIG. 40 OPTIONAL PARTS 1

PARTES OPCIONALES 1

| REF. NO. | PART NO. CODIGO Nº | DESCRIPTION DESCRIPCION | 6BM7 | 6BN7 | | REMARKS OBSERVACIONES |
|----------|--------------------|---|------|------|--|----------------------------|
| 1 | 6Y8-8350T-01 | TACHOMETER, SQ TACOMETRO COMPLETO | 1 | | | FOR CAR,CHN FOR CAR,CHN |
| 2 | 6Y8-83363-00 | .BEZEL, SQUARE .LENTES | 1 | | | |
| 3 | 6Y8-84383-00 | .NUT, RING .TUERCA ANILLO | 1 | | | |
| 4 | 6Y8-8356N-01 | LEAD, FUEL TANK & GPS SENDER CABLE CONDUCTOR | 1 | | | FOR CAR,CHN FOR CAR,CHN |
| 5 | 6Y8-83500-01 | S&FM METER, SQ METRO COMPLETO | 1 | | | FOR CAR,CHN FOR CAR,CHN |
| 6 | 6Y8-83363-00 | .BEZEL, SQUARE .LENTES | 1 | | | |
| 7 | 6Y8-84383-00 | .NUT, RING .TUERCA ANILLO | 1 | | | |
| 8 | 6Y8-81920-01 | MULTI HUB ASSY TERMINAL COMPLETO | 1 | | | FOR CAR,CHN FOR CAR,CHN |
| 9 | 6Y8-85371-01 | .END OF LINE RESISTER .RESISTOR | 1 | | | |
| 10 | 6Y8-81920-11 | IN-LINE HUB ASSY TERMINAL COMPLETO | 1 | | | FOR CAR,CHN FOR CAR,CHN |
| 11 | 6Y8-82553-21 | 20FT MAIN BUS CABLE | 1 | | | FOR CAR,CHN FOR CAR,CHN |
| 12 | 6Y8-82521-11 | 2FT PIGTAIL BUS CABLE CONDUCTOR | 2 | | | FOR CAR,CHN FOR CAR,CHN |
| 13 | 6Y8-82521-51 | 12FT PIGTAIL BUS CABLE CONDUCTOR | 1 | | | FOR CAR,CHN FOR CAR,CHN |
| 14 | 6Y8-83553-01 | 8FT POWER WIRE CABLE CONDUCTOR | 1 | | | FOR CAR,CHN FOR CAR,CHN |
| 15 | 6G1-82151-00 | .FUSE (10A) .FUSIBLE (10A) | 1 | | | |
| 16 | 6Y8-82582-11 | CAP 1 (4PIN) CUBIERTA DE ARNES DE CABLE | 1 | | | FOR CAR,CHN FOR CAR,CHN |
| | | | | | | |
| | | | | | | |
| | | | | | | |
| | | | | | | |

FIG. 41 OPTIONAL PARTS 2

PARTES OPCIONALES 2

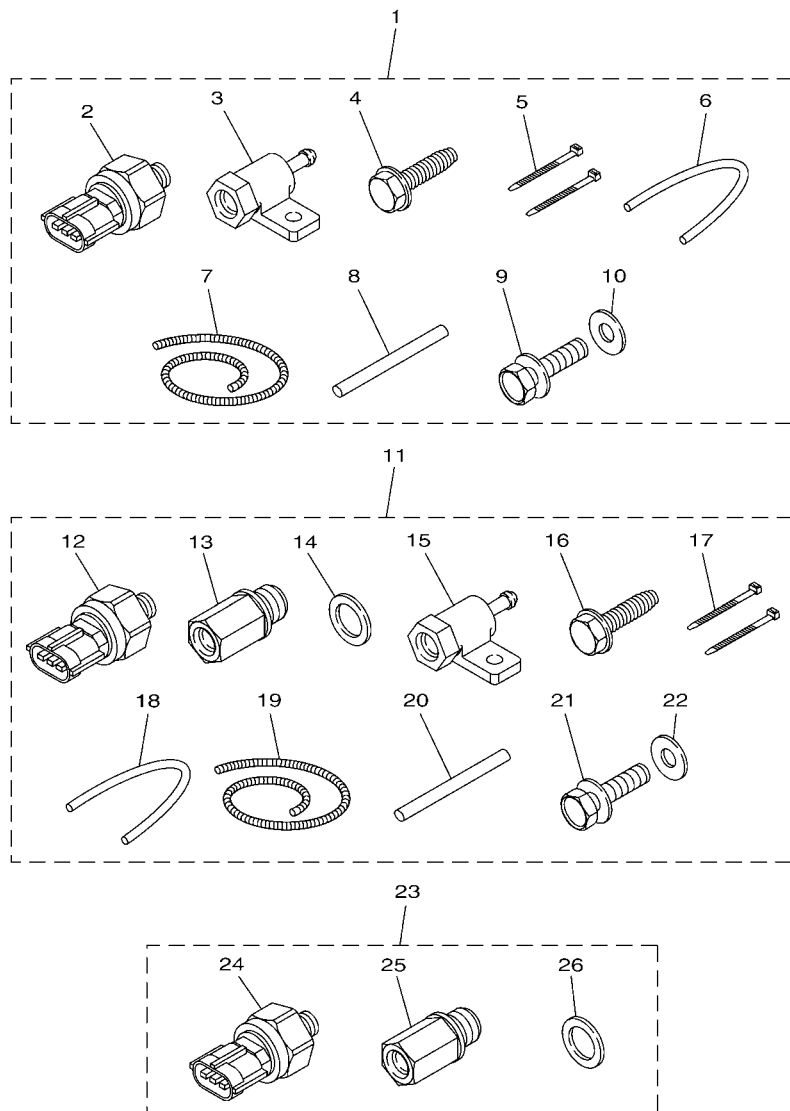


| REF. NO. | PART NO. CODIGO Nº | DESCRIPTION DESCRIPCION | 6BM7 | 6BN7 | REMARKS OBSERVACIONES |
|----------|--------------------|---------------------------------------|------|------|-----------------------|
| 1 | 6Y8-8350T-01 | TACHOMETER, SQ TACOMETRO COMPLETO | | 1 | FOR CAR FOR CAR |
| 2 | 6Y8-83363-00 | .BEZEL, SQUARE .LENTES | | 1 | |
| 3 | 6Y8-84383-00 | .NUT, RING .TUERCA ANILLO | | 1 | |
| 4 | 6Y8-81920-11 | IN-LINE HUB ASSY TERMINAL COMPLETO | | 1 | FOR CAR FOR CAR |
| 5 | 6Y8-82553-21 | 20FT MAIN BUS CABLE | | 1 | FOR CAR FOR CAR |
| 6 | 6Y8-82521-11 | 2FT PIGTAIL BUS CABLE CONDUCTOR | | 1 | FOR CAR FOR CAR |
| 7 | 6Y8-82521-51 | 12FT PIGTAIL BUS CABLE CONDUCTOR | | 1 | FOR CAR FOR CAR |

63PC200-N410

FIG. 42 OPTIONAL PARTS 3

PARTES OPCIONALES 3

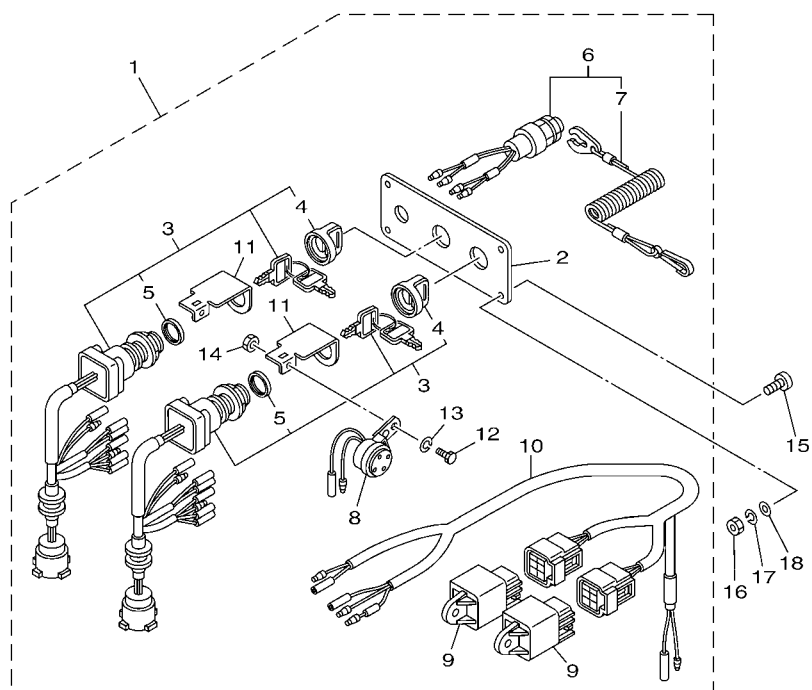


63PB200-M410

| REF. NO. | PART NO. CODIGO Nº | DESCRIPTION DESCRIPCION | 6BM7 | 6BN7 | REMARKS OBSERVACIONES |
|----------|--------------------|--|------|------|-----------------------|
| 1 | 60V-8A4L1-12 | SENSOR, MODULE 1 SENSOR COMP. 1 | 1 | | FOR CHN FOR CHN |
| 2 | 6AW-8366B-01 | .SENSOR, WATER PRESSURE .SENSOR DE PRESION AGUA | 1 | | |
| 3 | 60V-8366D-00 | .ADAPTOR, INPUT .CONECTOR BANJO 3 | 1 | | |
| 4 | 90109-06M81 | .BOLT .PERNO | 1 | | |
| 5 | 90465-11M10 | .CLAMP .BRIDA | 2 | | |
| 6 | 90445-07017 | .HOSE (L: 550MM) .TUBO (L: 550MM) | 1 | | |
| 7 | 90447-07013 | .HOSE, COVER (L: 700MM) .MANGUERA DE CUBIERTA (L:700MM) | 1 | | |
| 8 | 60V-42629-00 | .SEAL .SELLO 2 | 1 | | |
| 9 | 97095-06016 | .BOLT .PERNO | 1 | | |
| 10 | 92995-06600 | .WASHER .ARANDELA | 1 | | |
| 11 | 63P-8A4L2-01 | SENSOR, MODULE 2 SENSOR COMP. 2 | 1 | | FOR CAR FOR CAR |
| 12 | 6AW-8366B-01 | .SENSOR, WATER PRESSURE .SENSOR DE PRESION AGUA | 2 | | |
| 13 | 63P-8366C-00 | .ADAPTOR, INPUT .CONECTOR BANJO 2 | 1 | | |
| 14 | 90430-14115 | .GASKET .JUNTA | 1 | | |
| 15 | 60V-8366D-00 | .ADAPTOR, INPUT .CONECTOR BANJO 3 | 1 | | |
| 16 | 90109-06M81 | .BOLT .PERNO | 1 | | |
| 17 | 90465-11M10 | .CLAMP .BRIDA | 2 | | |
| 18 | 90445-07017 | .HOSE (L: 550MM) .TUBO (L: 550MM) | 1 | | |
| 19 | 90447-07013 | .HOSE, COVER (L: 700MM) .MANGUERA DE CUBIERTA (L:700MM) | 1 | | |
| 20 | 60V-42629-00 | .SEAL .SELLO 2 | 1 | | |
| 21 | 97095-06016 | BOLT PERNO | 1 | | |
| 22 | 92995-06600 | WASHER ARANDELA | 1 | | |
| 23 | 63P-8A4L0-10 | SENSOR, MODULE SENSOR COMP. | 1 | | FOR CAR FOR CAR |
| 24 | 6AW-8366B-01 | .SENSOR, WATER PRESSURE .SENSOR DE PRESION AGUA | 1 | | |
| 25 | 63P-8366C-00 | .ADAPTOR, INPUT .CONECTOR BANJO 2 | 1 | | |
| 26 | 90430-14115 | .GASKET .JUNTA | 1 | | |

FIG. 43 OPTIONAL PARTS 4

PARTES OPCIONALES 4

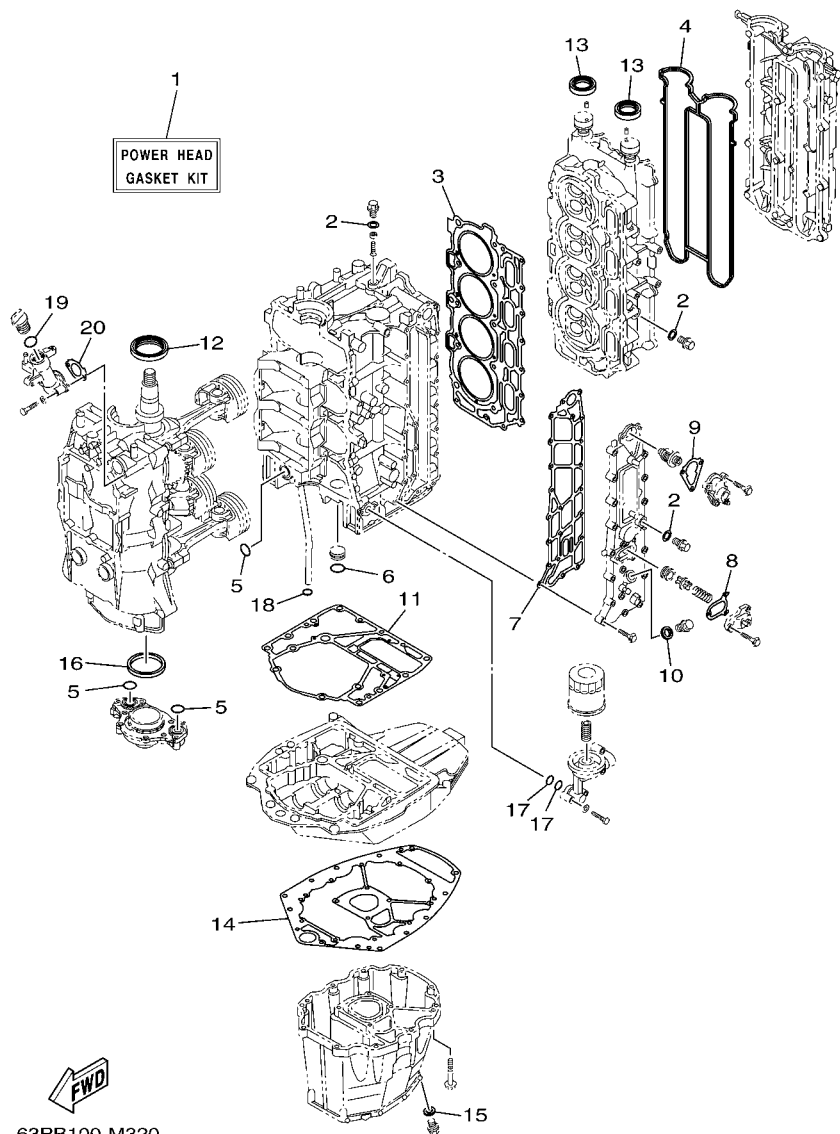


← FWD
63PC200-N430

| REF. NO. | PART NO. CODIGO Nº | DESCRIPTION DESCRIPCION | 6BM7 | 6BN7 | REMARKS OBSERVACIONES |
|----------|--------------------|--|------|------|--------------------------------|
| 1 | 6Y8-82570-03 | PANEL SWITCH ASSY INTERRUPTOR DE PANEL COMPL. | | 1 | FOR CAR FOR CAR |
| 2 | 6Y8-82571-01 | .PLATE, PANEL SWITCH .PANEL DE INTERRUPTOR | | 1 | |
| 3 | 6Y8-82510-03 | .MAIN SWITCH ASSY .CONJUNTO DE LLAVE IGNICION | | 2 | |
| 4 | 676-82577-01 | ..CAP, KEY ..TAPA | | 1 | |
| 5 | 703-82532-00 | ..CAP ..TAPA | | 1 | |
| 6 | 6K1-82575-00 | .ENGINE STOP SWITCH ASSY .INTERRUPTOR DE PARADA COMPL | | 1 | |
| 7 | 682-82556-00 | ..LANYARD, STOP SWITCH ..CORDON DE INTERRUPTOR PARADA | | 1 | |
| 8 | 6R5-83383-00 | .BUZZER .ZUMBADOR | | 2 | |
| 9 | 68V-81950-00 | .RELAY ASSY .RELE COMPLETO | | 2 | |
| 10 | 6Y8-82507-00 | .LEAD, IGNITION SWITCH RELAY .CABLE CONDUCTOR | | 1 | |
| 11 | 64D-82581-00 | .STAY, CORD CLAMP .SOPORTE DE GRAMPA DE CABLE | | 2 | |
| 12 | 97003-05012 | .BOLT .PERNO | | 2 | |
| 13 | 92903-05100 | .WASHER, SPRING .RONDANA SENCILLA | | 2 | |
| 14 | 95303-05700 | .NUT .TUERCA | | 2 | |
| 15 | 90149-05M05 | SCREW TORNILLO DE REGLAJE | | 4 | FOR CAR FOR CAR |
| 16 | 95380-05600 | NUT TUERCA | | 4 | FOR CAR FOR CAR |
| 17 | 92990-05100 | WASHER, SPRING ARANDELA PLANA | | 4 | FOR CAR FOR CAR |
| 18 | 92990-05600 | WASHER, PLATE ARANDELA PLANA | | 4 | FOR CAR FOR CAR |
| 19 | 61B-8258A-01 | EXTENSION, WIRE HARNESS (9.5M) EXTENSION, ARNES DE CABLES(9.5 | | 1 | FOR CAR (10P) FOR CAR (10P) |

FIG. 44 REPAIR KIT 1

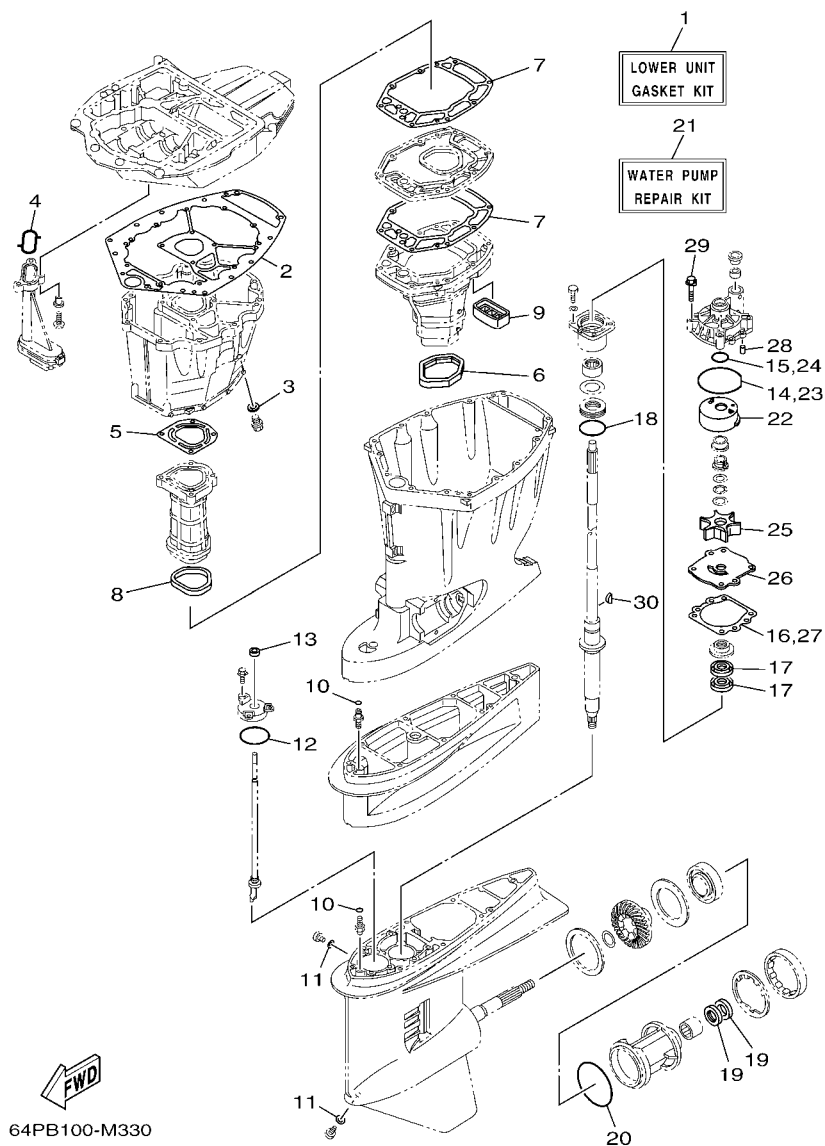
ESTUCHE REPARATION 1



| REF. NO. | PART NO. CODIGO Nº | DESCRIPTION DESCRIPCION | 6BM7 | 6BN7 | REMARKS OBSERVACIONES |
|----------|--------------------|--|------|------|-----------------------|
| 1 | 63P-W0001-03 | POWER HEAD GASKET KIT JUEGO DE EMPAQUE DE MOTOR | 1 | 1 | |
| 2 | 90430-14115 | .GASKET .JUNTA | 4 | 4 | |
| 3 | 63P-11181-00 | .GASKET, CYLINDER HEAD 1 .JUNTA, DE CULATA 1 | 1 | 1 | |
| 4 | 63P-11193-00 | .GASKET, HEAD COVER 1 .EMPAQUE | 1 | 1 | |
| 5 | 93210-25552 | .O-RING .ANILLO O | 3 | 3 | |
| 6 | 93210-25647 | .O-RING .ANILLO O | 1 | 1 | |
| 7 | 63P-41114-A2 | .GASKET, EXHAUST OUTER COVER .EMPAQUE | 1 | 1 | |
| 8 | 67F-12435-A0 | .GASKET .EMPAQUE | 1 | 1 | |
| 9 | 63P-12414-00 | .GASKET, COVER .EMPAQUE | 1 | 1 | |
| 10 | 90430-18130 | .GASKET .JUNTA | 1 | 1 | |
| 11 | 63P-11351-01 | .GASKET, CYLINDER .JUNTA, DE CILINDRO | 1 | 1 | |
| 12 | 93102-60004 | .OIL SEAL .SELLO ACEITE | 1 | 1 | |
| 13 | 93102-38008 | .OIL SEAL .SELLO ACEITE | 2 | 2 | |
| 14 | 63P-15312-00 | .GASKET, OIL PAN .EMPAQ BANDEJA DE ACEITE | 1 | 1 | |
| 15 | 90430-14M09 | .GASKET .JUNTA | 1 | 1 | |
| 16 | 69J-11355-00 | .SEAL, CYLINDER 1 .RETEN ACEITE CILINDRO 1 | 1 | 1 | |
| 17 | 93210-19MJ1 | .O-RING .ANILLO O | 2 | 2 | |
| 18 | 93210-19MJ3 | .O-RING .ANILLO O | 1 | 1 | |
| 19 | 93210-24M79 | .O-RING .ANILLO O | 1 | 1 | |
| 20 | 63P-15364-A0 | .GASKET, OIL PLUG .EMPAQUE TAPON DE ACEITE | 1 | 1 | |

FIG. 45 REPAIR KIT 2

ESTUCHE REPARATION 2



64PB100-M330

| REF. NO. | PART NO. CODIGO Nº | DESCRIPTION DESCRIPCION | 6BM7 | 6BN7 | REMARKS OBSERVACIONES |
|----------|--------------------|---|------|------|-----------------------|
| 1 | 63P-W0001-21 | LOWER UNIT GASKET KIT JUEGO DE EMPAQUE UNIDAD INFER. | 1 | 1 | |
| 2 | 63P-15312-01 | .GASKET, OIL PAN .EMPAQ BANDEJA DE ACEITE | 1 | 1 | |
| 3 | 90430-14M09 | .GASKET .JUNTA | 1 | 1 | |
| 4 | 63P-13415-00 | .SEAL, OIL STRAINER .SELLO COLADOR ACEITE | 1 | 1 | |
| 5 | 63P-41133-A0 | .GASKET, EXHAUST MANIFOLD 1 .EMPAQUE ESCAPE MULTIPLE | 1 | 1 | |
| 6 | 69J-45123-00 | .GASKET, MUFFLER .EMPAQUE SILENCIADOR | 1 | 1 | |
| 7 | 63P-41134-A1 | .GASKET, EXHAUST MANIFOLD .EMPAQUE | 2 | 2 | |
| 8 | 63P-41138-00 | .SEAL, EXT. 1 .SELLO, ESCAPE 1 | 1 | 1 | |
| 9 | 69J-45127-00 | .SEAL .SELLO DE GOMA | 1 | 1 | |
| 10 | 93210-07003 | .O-RING .ANILLO O | 2 | 2 | |
| 11 | 90430-08020 | .GASKET .JUNTA | 2 | 2 | |
| 12 | 93210-58144 | .O-RING .ANILLO O | 1 | 1 | |
| 13 | 93106-09014 | .OIL SEAL .SELLO ACEITE | 1 | 1 | |
| 14 | 93210-86M38 | .O-RING .ANILLO O | 1 | 1 | |
| 15 | 93210-37160 | .O-RING .ANILLO O | 1 | 1 | |
| 16 | 6E5-44315-A0 | .GASKET, WATER PUMP .EMPAQUE | 1 | 1 | |
| 17 | 93101-28M16 | .OIL SEAL .SELLO ACEITE | 2 | 2 | |
| 18 | 93210-55M14 | .O-RING .ANILLO O | 1 | 1 | |
| 19 | 93101-30M17 | .OIL SEAL .SELLO ACEITE | 2 | 2 | |
| 20 | 93210-97M55 | .O-RING .ANILLO O | 1 | 1 | |
| 21 | 6S1-W0078-00 | WATER PUMP REPAIR KIT ESTUCHE REPARACION BOMBA AGUA | 1 | 1 | |
| 22 | 6R3-44322-42 | .INSERT, CARTRIDGE .CARTUCHO | 1 | 1 | |
| 23 | 93210-86M38 | .O-RING .ANILLO O | 1 | 1 | |
| 24 | 93210-37160 | .O-RING .ANILLO O | 1 | 1 | |
| 25 | 6E5-44352-01 | .IMPELLER .IMPULSOR | 1 | 1 | |
| 26 | 6G5-44323-41 | .OUTER PLATE, CARTRIDGE .PLACA EXTERIOR DEL CARTUCHO | 1 | 1 | |
| 27 | 6E5-44315-A0 | .GASKET, WATER PUMP .EMPAQUE | 1 | 1 | |

FWD
64PB100-M330

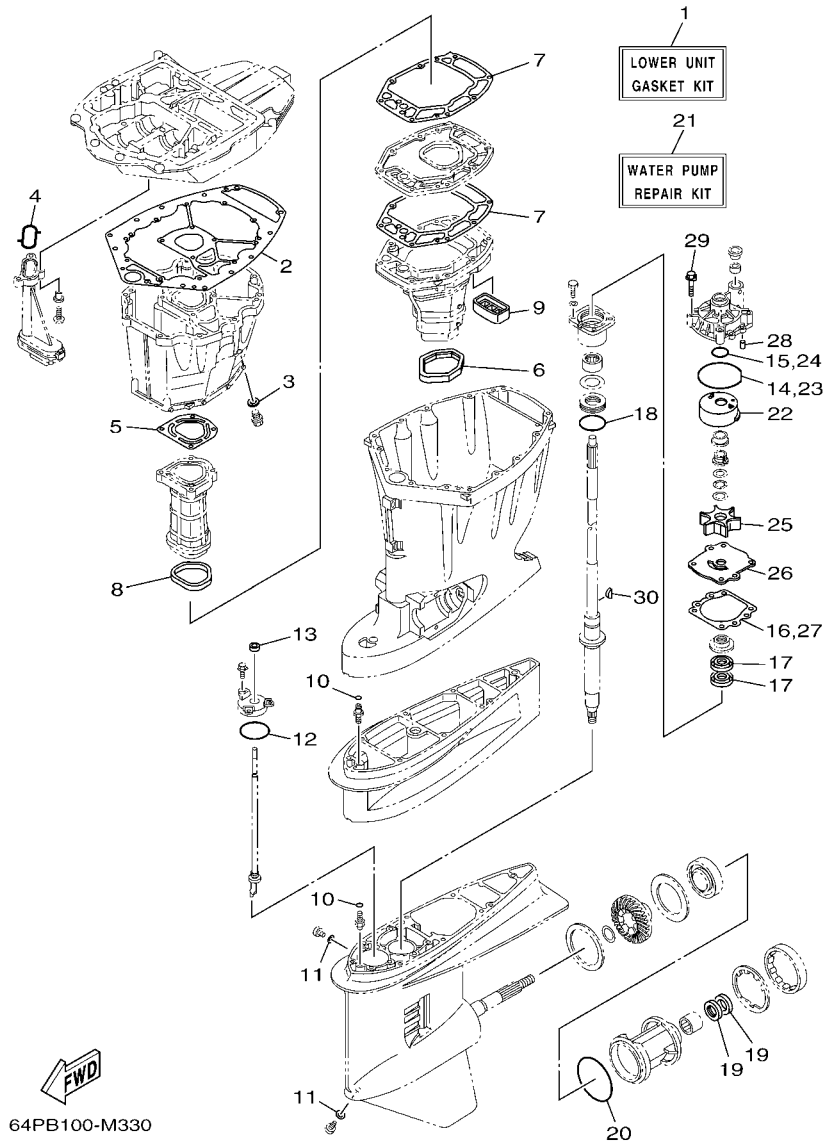


FIG. 45 REPAIR KIT 2

ESTUCHE REPARATION 2

| REF. NO. | PART NO. CODIGO Nº | DESCRIPTION DESCRIPCION | 6BM7 | 6BN7 | REMARKS OBSERVACIONES |
|----------|--------------------|--|------|------|-----------------------|
| 28 | 93606-12019 | .PIN, DOWEL .PASADOR DE CLAVIJA | 2 | 2 | |
| 29 | 90119-08M14 | .BOLT, WITH WASHER .TORNILLO CON ARANDELA | 4 | 4 | |
| 30 | 90280-04M05 | .KEY, WOODRUFF .CUNA WOODRUFF | 1 | 1 | |
| ----- | | | | | |
| ----- | | | | | |
| ----- | | | | | |
| ----- | | | | | |
| ----- | | | | | |
| ----- | | | | | |
| ----- | | | | | |
| ----- | | | | | |

NUMERICAL INDEX
INDICE NUMERICO

| PART NO. CODIGO N° | REF. NO. | PART NO. CODIGO N° | REF. NO. | PART NO. CODIGO N° | REF. NO. | PART NO. CODIGO N° | REF. NO. | PART NO. CODIGO N° | REF. NO. | PART NO. CODIGO N° | REF. NO. |
|-----------------------|-------------|-----------------------|-------------|-----------------------|-------------|-----------------------|-------------|-----------------------|-------------|-----------------------|-------------|
| 63P-11110-10-9S | 5 - 2 | 63P-11536-01 | 7 - 17 | 69J-13440-03 | 6 - 28 | 69J-14321-00 | 10 - 3 | 64P-24311-00 | 9 - 11 | 69J-24501-10 | 12 - 16 |
| 63P-11119-00 | 3 - 22 | 63P-11537-00 | 7 - 12 | 63P-13446-00-9S | 6 - 30 | 68V-14323-00 | 10 - 5 | 63P-24311-20 | 13 - 19 | 69J-24502-00 | 9 - 9 |
| 68F-11119-00 | 3 - 23 | 63P-11590-01 | 7 - 16 | 67F-13448-00 | 2 - 18 | 68V-14331-00 | 10 - 4 | 63P-24311-30 | 13 - 19 | 68V-24519-00 | 12 - 13 |
| 6S5-11133-10 | 5 - 3 | 63P-11603-01 | 4 - 11 | 63P-13490-00 | 3 - 34 | 68V-14356-00 | 10 - 10 | 64P-24312-00 | 9 - 10 | 6P3-24519-00 | 13 - 11 |
| 63P-11135-00 | 5 - 21 | 63P-11604-00 | 4 - 11 | 63P-13532-10 | 12 - 5 | 68V-14386-00 | 11 - 16 | 63P-24312-10 | 13 - 35 | 6P3-24560-03 | 13 - 7 |
| 63P-11181-00 | 5 - 16 | 63P-11631-10-93 | 4 - 10 | 63P-13545-00 | 12 - 4 | 63P-14435-00 | 18 - 16 | 63P-24312-20 | 13 - 35 | 6P3-24562-03 | 13 - 9 |
| | 44 - 3 | 63P-11633-10 | 4 - 12 | 63P-13546-00 | 12 - 3 | 63P-14440-00 | 8 - 10 | 64P-24313-00 | 9 - 8 | 6P3-24563-01 | 1 - 14 |
| 63P-11191-00-9S | 5 - 20 | 63P-11634-00 | 4 - 13 | 63P-13557-00 | 10 - 20 | 63P-14446-00 | 10 - 21 | 63P-24313-10 | 13 - 36 | | 13 - 8 |
| 63P-11192-01 | 5 - 27 | 63P-11635-10 | 4 - 10 | 68V-13577-00 | 12 - 15 | 68V-14446-00 | 11 - 28 | 63P-24313-20 | 13 - 36 | 6P3-24564-00 | 1 - 15 |
| 63P-11193-00 | 5 - 24 | 63P-11654-10 | 4 - 8 | 6BM-13593-00 | 11 - 25 | 63P-14449-00 | 8 - 11 | 6BM-24314-00 | 13 - 33 | | 13 - 12 |
| | 44 - 4 | 63P-11656-30 | 4 - 9 | 69J-13631-00 | 27 - 15 | 63P-14457-00 | 8 - 12 | 63P-24314-10 | 13 - 33 | 63P-24566-00 | 13 - 13 |
| 63P-11197-00 | 3 - 10 | 63P-11656-40 | 4 - 9 | 63P-13641-00 | 10 - 13 | 63P-14496-00 | 10 - 14 | 64P-24314-10 | 9 - 18 | 69J-24599-10 | 12 - 17 |
| 69J-11301-00 | 5 - 10 | 63P-11656-50 | 4 - 9 | 63P-13643-00 | 10 - 22 | 63P-14546-00 | 11 - 15 | 63P-24315-00 | 13 - 34 | 68V-2481H-00 | 12 - 20 |
| | 6 - 12 | 63P-12111-00 | 7 - 1 | 63P-13645-00 | 10 - 16 | 63P-14565-00 | 11 - 10 | 64P-24315-00 | 9 - 13 | 67F-28100-01 | 13 - 41 |
| 68T-11325-00 | 1 - 6 | 6CB-12113-00 | 7 - 4 | 69J-13716-00 | 11 - 24 | 68V-14565-00 | 10 - 11 | 63P-24315-10 | 13 - 34 | 67F-28100-10 | 13 - 41 |
| | 6 - 2 | 51Y-12119-00 | 7 - 7 | 63P-13751-01 | 10 - 2 | 63P-14567-00 | 11 - 11 | 63P-24316-00 | 13 - 6 | 67F-2812A-00 | 17 - 34 |
| 63P-11325-01 | 1 - 3 | 63P-12121-00 | 7 - 2 | 6P2-13758-00 | 12 - 19 | 3CF-14594-00 | 10 - 9 | 64P-24316-00 | 9 - 14 | 63P-41113-03-9S | 6 - 1 |
| | 3 - 20 | 63P-12171-10 | 7 - 9 | 63P-13761-01 | 10 - 23 | 69J-14624-01 | 26 - 24 | 63P-24316-21 | 13 - 6 | 63P-41114-A2 | 6 - 4 |
| 67F-11325-01 | 1 - 4 | 63P-12181-10 | 7 - 10 | 68V-13766-00 | 10 - 25 | 63P-14711-01-9S | 26 - 11 | 63P-24317-00 | 12 - 11 | | 44 - 7 |
| | 1 - 7 | 63P-1240H-01-9S | 6 - 20 | 63P-13769-00 | 10 - 32 | 63P-14777-00 | 11 - 23 | 63P-24317-20 | 12 - 11 | 63P-41131-01-9S | 26 - 8 |
| | 5 - 11 | 67F-12411-01 | 1 - 8 | 68V-13781-20 | 11 - 14 | 63P-14984-00 | 1 - 11 | 63P-24325-00 | 12 - 14 | 63P-41133-A0 | 26 - 9 |
| | 6 - 13 | | 6 - 18 | 63P-13784-00 | 11 - 19 | | 11 - 13 | 63P-24325-30 | 12 - 14 | | 45 - 5 |
| 63P-11325-11 | 1 - 2 | 67F-12412-00 | 6 - 19 | 63P-13898-00 | 10 - 31 | 63P-14985-00 | 11 - 17 | 6E5-24351-51 | 14 - 3 | 63P-41134-A1 | 26 - 15 |
| | 3 - 14 | 63P-12414-00 | 1 - 9 | 63P-13905-00 | 10 - 30 | 63P-15311-02-CA | 27 - 2 | | 14 - 10 | | 45 - 7 |
| 63P-11325-21 | 1 - 1 | | 6 - 21 | 63P-13906-00 | 11 - 9 | 63P-15312-00 | 44 - 14 | 6Y2-24360-60 | 14 - 5 | 63P-41137-04-CA | 26 - 1 |
| | 3 - 11 | | 44 - 9 | 63P-13907-03 | 11 - 18 | 63P-15312-01 | 27 - 1 | | 14 - 12 | 63P-41138-00 | 26 - 17 |
| 67F-11328-00 | 5 - 12 | 6G5-12416-00 | 6 - 6 | 63P-13915-00 | 1 - 12 | | 45 - 2 | 6YK-24360-73 | 14 - 13 | | 45 - 8 |
| | 6 - 14 | 67F-12435-A0 | 6 - 10 | | 11 - 20 | 63P-15316-00 | 27 - 5 | 63P-24364-01 | 9 - 20 | 63P-41213-00 | 21 - 43 |
| 63P-11351-01 | 3 - 25 | | 44 - 8 | 63P-13971-00 | 12 - 2 | 63P-15319-00-9S | 6 - 35 | 63P-24367-01 | 9 - 12 | 63P-41237-00 | 21 - 49 |
| | 44 - 11 | 67F-1246A-01-9S | 6 - 9 | 63P-13974-20 | 12 - 8 | 63P-15362-10 | 27 - 20 | 68V-24374-00 | 13 - 27 | 6H4-41237-00 | 10 - 17 |
| 69J-11355-00 | 27 - 16 | 68T-12572-00 | 20 - 28 | 63P-13974-30 | 12 - 8 | 6G8-15363-00 | 6 - 33 | 6R3-24377-10 | 13 - 3 | 682-41238-01 | 10 - 19 |
| | 44 - 16 | 6R3-12581-00 | 20 - 30 | 63P-13975-00 | 12 - 18 | 63P-15364-A0 | 6 - 36 | | 13 - 3 | 63P-42154-00 | 21 - 38 |
| 63P-11372-00 | 3 - 4 | 6R3-12582-00 | 20 - 31 | 63P-13975-30 | 12 - 18 | | 44 - 20 | 6E5-24378-00 | 13 - 32 | 63P-42157-00 | 21 - 50 |
| 6BM-11377-00 | 3 - 30 | 6R3-12583-00 | 20 - 32 | 63P-13976-00 | 12 - 9 | 6BM-15373-00 | 8 - 5 | 69J-24379-00 | 11 - 22 | 68V-42171-00 | 21 - 51 |
| 6BM-11410-01 | 4 - 1 | 69J-12584-00 | 20 - 54 | 63P-13976-30 | 12 - 9 | 63P-15377-10 | 27 - 21 | 6E5-24379-00 | 9 - 22 | 66K-42510-02-8D | 23 - 9 |
| 63P-11416-31 | 4 - 4 | 6S5-12858-00 | 6 - 29 | 63P-14148-00 | 11 - 21 | 63P-15378-00 | 8 - 8 | 63P-24410-10 | 13 - 21 | 63P-42541-00 | 20 - 33 |
| 63P-11416-41 | 4 - 4 | 6AW-13119-00 | 27 - 14 | 63P-14149-00 | 12 - 1 | 63P-2134X-00 | 9 - 2 | 68V-24411-00 | 13 - 26 | 63P-42610-41 | 2 - 1 |
| 63P-11416-51 | 4 - 4 | 63P-1312A-01 | 10 - 26 | 68V-1416A-00 | 10 - 24 | 69J-21841-02 | 11 - 27 | 68V-24412-00 | 13 - 22 | 63P-42613-00 | 2 - 15 |
| 63P-11417-41 | 4 - 5 | 63P-13131-00 | 13 - 24 | 63P-14180-02 | 11 - 1 | 63P-2247B-00 | 12 - 12 | 68V-24413-10 | 13 - 28 | 63P-42615-00 | 20 - 2 |
| 63P-11417-51 | 4 - 5 | 63P-13160-00 | 12 - 6 | 63P-14181-00 | 11 - 7 | 68V-2411M-00 | 12 - 10 | 63P-24414-00 | 13 - 29 | 63P-42617-00 | 2 - 17 |
| 63P-11417-61 | 4 - 5 | 63P-13300-02 | 27 - 12 | 63P-14182-00 | 11 - 2 | 63P-2411R-00 | 11 - 4 | 63P-24423-00 | 13 - 25 | 63P-4261A-00 | 2 - 2 |
| 63P-11417-71 | 4 - 5 | 63P-13329-00 | 27 - 13 | 63P-14191-00 | 11 - 8 | 63P-2411T-00 | 11 - 5 | 68V-24444-00 | 13 - 30 | 60V-42629-00 | 42 - 8 |
| 63P-11417-81 | 4 - 5 | 63P-13411-00 | 27 - 8 | 63P-14200-23 | 10 - 1 | 68V-24149-00 | 13 - 31 | 68V-24452-00 | 13 - 5 | | 42 - 20 |
| 63P-11426-31 | 4 - 6 | 63P-13415-00 | 27 - 10 | 63P-14200-41 | 10 - 1 | 6P2-24170-00 | 9 - 1 | 4SV-24453-00 | 11 - 3 | 63P-42643-01 | 2 - 12 |
| 63P-11426-41 | 4 - 6 | | 45 - 4 | 63P-14225-00 | 12 - 7 | 63P-2419A-01 | 9 - 3 | | 11 - 6 | 63P-42644-00 | 2 - 14 |
| 63P-11426-51 | 4 - 6 | 63P-13437-42 | 15 - 22 | 69J-14225-01 | 11 - 12 | 6Y2-24305-06 | 14 - 6 | 68V-24454-00 | 13 - 23 | 63P-42647-00 | 2 - 5 |
| 6CB-11478-00 | 4 - 2 | 63P-13437-62 | 15 - 22 | 63P-14291-00 | 10 - 12 | 6Y2-24306-45 | 14 - 1 | 6P3-24469-00 | 13 - 10 | 60V-42651-01 | 2 - 8 |
| 6BM-11511-00-94 | 3 - 26 | 69J-13440-03 | 1 - 10 | 63P-14292-00 | 10 - 33 | 6Y2-24307-50 | 14 - 8 | 69J-24501-10 | 1 - 13 | 63P-42662-00 | 2 - 22 |

NUMERICAL INDEX
INDICE NUMERICO

| PART NO. CODIGO N° | REF. NO. | PART NO. CODIGO N° | REF. NO. | PART NO. CODIGO N° | REF. NO. | PART NO. CODIGO N° | REF. NO. | PART NO. CODIGO N° | REF. NO. | PART NO. CODIGO N° | REF. NO. |
|-----------------------|-------------|-----------------------|-------------|-----------------------|-------------|-----------------------|-------------|-----------------------|-------------|-----------------------|-------------|
| 68F-42663-00 | 2 - 13 | 63P-43804-10 | 25 - 3 | 63P-43876-10 | 24 - 16 | 6E5-44365-00 | 29 - 4 | 688-45375-00 | 28 - 11 | 6G5-45577-30 | 28 - 66 |
| 69J-42663-00 | 2 - 9 | 63P-43805-10 | 25 - 2 | 61A-43878-00 | 24 - 70 | | 30 - 29 | | 30 - 12 | | 30 - 69 |
| 63P-42675-20 | 2 - 25 | 63P-4380F-10 | 25 - 6 | 63P-43879-10 | 25 - 8 | | 31 - 2 | 663-45376-00 | 28 - 10 | 6G5-45577-40 | 28 - 66 |
| 63P-42676-20 | 2 - 27 | 63P-4380L-10 | 24 - 2 | 63P-43880-10 | 25 - 1 | | 31 - 4 | | 30 - 11 | | 30 - 69 |
| 63P-42677-40 | 2 - 23 | 63P-4380P-10 | 24 - 9 | 63P-43881-10 | 25 - 10 | 6E5-44366-00 | 26 - 26 | 63P-45378-00 | 26 - 34 | 6G5-45577-50 | 28 - 66 |
| 63P-42678-41 | 2 - 24 | 63P-43810-10 | 24 - 3 | 63P-4388H-10 | 24 - 68 | 6P2-44391-00 | 20 - 26 | | 28 - 12 | | 30 - 69 |
| 63P-42681-20 | 2 - 26 | 63P-43811-10 | 24 - 6 | 63P-43892-10 | 25 - 4 | 63P-44511-00 | 23 - 35 | | 30 - 13 | 6G5-45577-60 | 28 - 66 |
| 63P-42710-01-8D | 20 - 1 | 63P-43814-10 | 24 - 13 | 69J-43899-01 | 24 - 62 | 63P-44514-00 | 23 - 29 | 63P-45379-00 | 26 - 31 | | 30 - 69 |
| 648-42715-00 | 21 - 29 | 6CJ-43816-00 | 24 - 59 | 63P-43899-10 | 24 - 69 | 6G5-44526-00 | 22 - 3 | 6G5-45383-01 | 28 - 69 | 6K1-45578-01 | 30 - 65 |
| 63P-42716-00 | 20 - 35 | 63P-43816-10 | 24 - 17 | 69J-4389J-00 | 24 - 33 | 69J-44533-00 | 23 - 23 | | 30 - 71 | 6K1-45578-10 | 30 - 65 |
| 61A-42717-00 | 20 - 27 | 6BC-43818-00 | 22 - 23 | 63P-44117-01 | 21 - 9 | 68V-44551-00-8D | 23 - 14 | 6G5-45384-02 | 28 - 70 | 6K1-45578-20 | 30 - 65 |
| 63P-42717-00 | 20 - 20 | 63P-4381J-10 | 24 - 60 | 63P-44118-00 | 21 - 24 | 63P-44553-00-8D | 23 - 26 | | 30 - 72 | 6K1-45578-30 | 30 - 65 |
| 63P-42718-00 | 20 - 21 | 63P-43820-10 | 24 - 25 | 63P-44120-01 | 21 - 19 | 63P-44555-00 | 23 - 17 | 63P-45501-11 | 28 - 45 | 6K1-45578-40 | 30 - 65 |
| 69J-42723-01 | 18 - 19 | 63P-43821-10 | 24 - 24 | 63P-44121-00 | 21 - 17 | 63P-44556-00-8D | 23 - 27 | | 30 - 46 | 6K1-45578-50 | 30 - 65 |
| 6E5-42724-00 | 26 - 7 | 6H1-43822-10 | 24 - 22 | 63P-44122-00 | 21 - 14 | 61A-44575-00 | 23 - 16 | 61A-45527-00 | 28 - 23 | 6K1-45578-60 | 30 - 65 |
| 63P-42725-00 | 20 - 23 | 63P-43828-10 | 24 - 28 | 69J-44135-00 | 21 - 44 | 63P-45111-00-8D | 26 - 19 | | 30 - 24 | 6E5-45587-01 | 28 - 39 |
| 6H1-42726-21 | 20 - 24 | 63P-43829-10 | 24 - 20 | 63P-44150-11 | 28 - 18 | 69J-45123-00 | 26 - 12 | 6G5-45536-01 | 28 - 9 | | 30 - 40 |
| 61A-42727-00 | 20 - 42 | 63P-4382A-10 | 24 - 31 | 64P-44150-11 | 30 - 19 | | 45 - 6 | | 30 - 10 | 6E5-45587-10 | 28 - 39 |
| 63P-42738-00-8D | 20 - 19 | 63P-43830-10 | 24 - 43 | 63P-44176-00 | 21 - 8 | 69J-45127-00 | 26 - 18 | 61A-45538-00 | 28 - 20 | | 30 - 40 |
| 63P-42741-01-8D | 20 - 36 | 69J-43831-00 | 24 - 65 | 703-44189-00 | 34 - 32 | | 45 - 9 | | 30 - 21 | 6E5-45587-20 | 28 - 39 |
| 6H4-42748-00 | 20 - 48 | 6H1-43841-11 | 24 - 37 | 703-44189-10 | 34 - 39 | 6C5-45155-00 | 26 - 27 | 63P-45551-00 | 28 - 46 | | 30 - 40 |
| 68F-42753-00 | 20 - 49 | 63P-43843-10 | 24 - 48 | 61A-44311-01 | 28 - 24 | 63P-45181-01-9S | 26 - 16 | | 30 - 47 | 6E5-45587-30 | 28 - 39 |
| 63P-42756-00 | 20 - 44 | 6CJ-43844-00 | 24 - 53 | | 30 - 25 | 6BM-45211-00-8D | 26 - 33 | 6BM-45560-00 | 28 - 48 | | 30 - 40 |
| 6AH-42794-40 | 20 - 51 | 6H1-43844-10 | 24 - 47 | 6E5-44312-00 | 28 - 29 | 6J9-45214-00 | 29 - 12 | 6BN-45560-00 | 30 - 49 | 6E5-45587-40 | 28 - 39 |
| 6AH-42794-50 | 20 - 52 | 63P-43845-10 | 24 - 34 | | 29 - 5 | | 31 - 12 | 6G5-45567-01 | 28 - 5 | | 30 - 40 |
| 63P-42811-01 | 20 - 43 | 63P-43847-10 | 24 - 29 | | 30 - 30 | 6J9-45215-00 | 29 - 13 | | 30 - 6 | 6E5-45587-50 | 28 - 39 |
| 63P-42815-00-8D | 20 - 6 | 63P-4384G-10 | 24 - 67 | | 31 - 5 | | 31 - 13 | 6G5-45567-10 | 28 - 5 | | 30 - 40 |
| 63P-42816-00-8D | 20 - 7 | 6H1-4384G-11 | 24 - 45 | 6E5-44315-A0 | 28 - 33 | 6G5-45251-02 | 1 - 16 | | 30 - 6 | 6E5-45587-60 | 28 - 39 |
| 63P-42818-01 | 20 - 11 | 63P-4384H-10 | 24 - 32 | | 30 - 34 | | 22 - 2 | 6G5-45567-20 | 28 - 5 | | 30 - 40 |
| 63P-42828-00-9S | 20 - 9 | 63P-43851-10 | 24 - 51 | | 45 - 16 | 6BM-45300-11-8D | 28 - 1 | | 30 - 6 | 6J9-45611-01 | 28 - 50 |
| 68F-42828-03-9S | 20 - 8 | 63P-43854-10 | 24 - 30 | | 45 - 27 | 6BN-45300-11-8D | 30 - 1 | 6G5-45567-30 | 28 - 5 | 6K1-45611-10 | 30 - 51 |
| 64E-43111-02-8D | 22 - 1 | 69J-43855-00 | 24 - 50 | 6R3-44322-42 | 28 - 25 | 6BM-45301-01-8D | 28 - 2 | | 30 - 6 | 6BM-45631-00 | 28 - 57 |
| 64E-43112-02-8D | 22 - 9 | 6H1-43856-10 | 24 - 46 | | 30 - 26 | | 30 - 2 | 6G5-45567-40 | 28 - 5 | | 30 - 58 |
| 64E-43126-10 | 22 - 39 | 63P-43857-10 | 24 - 73 | | 45 - 22 | 6E5-45318-00 | 26 - 22 | | 30 - 6 | 6E5-45633-01 | 28 - 58 |
| 64E-43131-01 | 22 - 14 | 63P-4385H-10 | 24 - 66 | 6G5-44323-41 | 28 - 32 | 6E5-45321-00 | 28 - 14 | 6G5-45567-50 | 28 - 5 | | 30 - 59 |
| 64E-43139-10 | 23 - 1 | 6H1-43861-00 | 24 - 7 | | 30 - 33 | | 30 - 15 | | 30 - 6 | 6E5-45634-02 | 28 - 51 |
| 64D-43144-00 | 20 - 16 | 6H1-43862-00 | 24 - 10 | | 45 - 26 | 6E5-45331-00-9S | 28 - 36 | 6G5-45567-60 | 28 - 5 | | 30 - 52 |
| 6G5-43144-00 | 22 - 29 | | 24 - 14 | 6E5-44352-01 | 28 - 30 | | 30 - 37 | | 30 - 6 | 6G5-45930-00 | 29 - 23 |
| 6E5-43145-01 | 32 - 8 | 63P-43862-10 | 24 - 23 | | 30 - 31 | 6BM-45332-00-9S | 28 - 59 | 6BN-45570-00 | 30 - 62 | 6G5-45932-00 | 29 - 23 |
| 6G5-43148-00 | 22 - 34 | 63P-43863-10 | 24 - 8 | | 45 - 25 | 6BN-45332-00-9S | 30 - 60 | 6BM-45571-00 | 28 - 61 | 6G5-45941-00 | 29 - 23 |
| 6G5-43181-02 | 22 - 31 | 6H1-43866-01 | 24 - 40 | 63P-44361-00 | 29 - 1 | 688-45341-10 | 28 - 7 | 6K1-45576-00 | 30 - 63 | 6G5-45943-01 | 29 - 23 |
| 6G5-43185-02 | 22 - 32 | 65W-4386A-00 | 24 - 72 | | 31 - 1 | | 30 - 8 | 6K1-45576-10 | 28 - 62 | 6K1-45945-00 | 31 - 23 |
| 64E-43311-10-8D | 22 - 25 | 688-4386F-00 | 24 - 74 | 63P-44362-00 | 29 - 3 | 6E5-45344-00 | 28 - 42 | 6G5-45577-02 | 28 - 66 | 6G5-45945-01 | 29 - 23 |
| 63P-43338-10 | 24 - 58 | 62X-4386K-00 | 25 - 7 | | 31 - 3 | | 30 - 43 | | 30 - 69 | 6K1-45947-00 | 31 - 23 |
| 63P-43376-00 | 23 - 6 | 62X-43871-00 | 24 - 26 | 63P-44363-00 | 29 - 6 | 6J9-45371-01 | 1 - 19 | 6G5-45577-10 | 28 - 66 | 6G5-45947-01 | 29 - 23 |
| 63P-43800-10 | 24 - 1 | 62Y-43871-00 | 24 - 61 | | 31 - 6 | | 29 - 16 | | 30 - 69 | 6G5-45949-00 | 29 - 23 |
| 63P-43801-10 | 24 - 4 | 6H1-43875-00 | 24 - 36 | 6E5-44365-00 | 28 - 28 | 6K1-45371-02 | 1 - 19 | 6G5-45577-20 | 28 - 66 | 6K1-45970-01 | 31 - 23 |
| 63P-43802-10 | 24 - 38 | 63P-43875-10 | 24 - 21 | | 29 - 2 | | 31 - 16 | | 30 - 69 | 6G5-45970-02 | 29 - 23 |

NUMERICAL INDEX
INDICE NUMERICO

| PART NO. CODIGO N° | REF. NO. | PART NO. CODIGO N° | REF. NO. | PART NO. CODIGO N° | REF. NO. | PART NO. CODIGO N° | REF. NO. | PART NO. CODIGO N° | REF. NO. | PART NO. CODIGO N° | REF. NO. |
|-----------------------|-------------|-----------------------|-------------|-----------------------|-------------|-----------------------|-------------|-----------------------|-------------|-----------------------|-------------|
| 6R1-45970-A1 | 31 - 23 | 704-48176-00 | 35 - 51 | 704-48233-00 | 36 - 53 | 704-48271-00 | 35 - 22 | 6P2-81332-00 | 15 - 15 | 704-81950-10 | 36 - 58 |
| 6R4-45970-A1 | 29 - 23 | 704-48176-10 | 36 - 51 | 703-48234-00 | 34 - 18 | | 36 - 22 | 63P-81336-00 | 17 - 36 | 68V-81953-00 | 17 - 5 |
| 66K-45970-B0 | 29 - 23 | 704-48178-00 | 36 - 66 | 704-48234-00 | 35 - 48 | EL8-48279-00 | 35 - 47 | 63P-81337-00 | 15 - 17 | 68F-8195A-00 | 17 - 28 |
| 6K1-45972-01 | 31 - 23 | 704-48178-10 | 35 - 60 | | 36 - 48 | | 36 - 47 | 63D-81345-20 | 15 - 5 | 63P-81960-01 | 16 - 17 |
| 6G5-45972-02 | 29 - 23 | 703-48189-00 | 34 - 17 | 703-48235-00 | 34 - 4 | 703-48281-00 | 34 - 31 | 63P-81410-00 | 15 - 4 | 63P-81975-00 | 16 - 19 |
| 6R1-45972-A0 | 31 - 23 | EL8-48191-00 | 35 - 16 | 704-48235-00 | 35 - 54 | 704-48281-00 | 35 - 13 | 63P-81450-00 | 15 - 1 | 6AH-81994-40 | 15 - 23 |
| 6R4-45972-A0 | 29 - 23 | | 36 - 16 | | 36 - 54 | | 36 - 13 | 63P-81460-00 | 15 - 2 | 6AH-81994-50 | 15 - 24 |
| 66K-45972-B0 | 29 - 23 | 704-48192-00 | 35 - 44 | 703-48236-00 | 34 - 16 | EL8-48281-00 | 35 - 11 | 63P-81673-01 | 15 - 6 | 6AH-81996-00 | 20 - 53 |
| 6K1-45974-02 | 31 - 23 | | 36 - 44 | 703-48238-00 | 34 - 22 | | 36 - 11 | 6BR-81800-01 | 19 - 1 | 63P-82105-01 | 18 - 29 |
| 6G5-45974-03 | 29 - 23 | 704-48192-P0 | 35 - 52 | 704-48238-00 | 35 - 39 | 704-48283-00 | 35 - 17 | 69J-81801-00 | 19 - 5 | 6Y5-82117-00 | 37 - 14 |
| 6R1-45974-A0 | 31 - 23 | | 36 - 52 | | 36 - 39 | | 36 - 17 | 67F-81807-00 | 19 - 10 | 6G5-82119-00 | 17 - 8 |
| 6R4-45974-A0 | 29 - 23 | 703-48198-00 | 34 - 14 | EL8-48241-00 | 35 - 26 | 703-48284-10 | 34 - 53 | 67F-81808-00 | 19 - 8 | 6E5-82148-00 | 22 - 6 |
| 66K-45974-B0 | 29 - 23 | 704-48205-P1 | 33 - 2 | | 36 - 26 | 704-48284-P0 | 35 - 57 | 67F-81809-00 | 19 - 19 | | 22 - 10 |
| 6K1-45976-00 | 31 - 23 | | 35 - 1 | 704-48242-10 | 35 - 42 | | 36 - 57 | 67F-81810-00 | 19 - 3 | 66K-82149-00 | 22 - 28 |
| 6G5-45976-01 | 29 - 23 | 703-48207-1B | 33 - 1 | | 36 - 42 | 704-48285-10 | 36 - 65 | 67F-81813-00 | 19 - 6 | 1E6-82151-00 | 37 - 13 |
| 6J9-45976-10 | 29 - 23 | | 34 - 1 | 703-48243-00 | 34 - 15 | 701-48287-00 | 34 - 42 | 67F-81820-00 | 19 - 7 | | 37 - 13 |
| 6R1-45976-A0 | 31 - 23 | 704-48207-P1 | 63 - 3 | 703-48244-00 | 34 - 21 | 704-48287-00 | 35 - 20 | 67F-81821-00 | 19 - 13 | 63P-82151-00 | 17 - 27 |
| 6R4-45976-A0 | 29 - 23 | | 36 - 1 | EL8-48244-00 | 35 - 30 | | 36 - 20 | 6K7-81826-11 | 19 - 24 | 67F-82151-00 | 17 - 29 |
| 6K1-45978-02 | 31 - 23 | 703-48211-02 | 34 - 62 | | 36 - 30 | 703-48293-10 | 34 - 41 | 69J-81828-00 | 19 - 25 | 6G1-82151-00 | 40 - 15 |
| 6G5-45978-03 | 29 - 23 | 703-48212-00 | 34 - 59 | 703-48245-00 | 34 - 11 | 701-48320-50 | 33 - 4 | 68V-8182L-00 | 10 - 8 | 67F-82151-10 | 17 - 30 |
| 6R1-45978-A0 | 31 - 23 | 703-48213-00 | 34 - 60 | EL8-48245-00 | 35 - 31 | 701-48320-60 | 33 - 4 | 67F-81830-00 | 19 - 17 | 63P-82170-00 | 17 - 26 |
| 6R4-45978-A0 | 29 - 23 | 703-48215-00 | 34 - 43 | | 36 - 31 | 701-48320-80 | 33 - 4 | 67F-81832-00 | 19 - 11 | 68F-82176-00 | 17 - 35 |
| 63P-45987-00 | 29 - 18 | 704-48215-20 | 35 - 12 | 701-48246-00 | 35 - 5 | 6E5-48344-00 | 21 - 6 | 67F-81836-00 | 19 - 12 | 63P-82181-10 | 25 - 5 |
| | 31 - 18 | 704-48215-30 | 36 - 12 | | 36 - 5 | | 21 - 36 | 6C5-81839-00 | 19 - 21 | 63P-82310-01 | 16 - 1 |
| 688-45997-01 | 29 - 19 | 703-48219-00 | 34 - 30 | 703-48246-00 | 34 - 23 | 703-48345-01 | 34 - 19 | 67F-8183R-00 | 19 - 15 | 663-82317-01 | 15 - 18 |
| | 31 - 19 | 704-48219-P0 | 35 - 49 | 701-48248-00 | 34 - 13 | | 35 - 19 | 60V-8183T-00 | 19 - 18 | 63P-82341-00 | 16 - 2 |
| 63P-46241-00 | 7 - 15 | | 36 - 49 | | 35 - 38 | | 36 - 19 | 69J-81840-00 | 19 - 4 | 63P-82342-00 | 16 - 3 |
| 704-48119-31 | 35 - 59 | 703-48221-00 | 34 - 57 | | 36 - 38 | 701-48350-00 | 33 - 4 | 67F-81841-00 | 19 - 14 | 63P-82343-00 | 16 - 7 |
| 704-48119-41 | 36 - 68 | 704-48221-P0 | 35 - 58 | EL8-48251-00 | 35 - 3 | 701-48350-20 | 33 - 4 | 69J-81842-00 | 19 - 20 | 63P-82344-01 | 16 - 8 |
| EL8-48127-00 | 35 - 23 | | 36 - 67 | | 36 - 3 | 701-48350-50 | 33 - 4 | 63P-81845-00 | 15 - 11 | 67F-82361-00 | 16 - 4 |
| | 36 - 23 | 703-48222-00 | 34 - 27 | 703-48252-00 | 34 - 12 | 703-48358-00 | 34 - 20 | 63P-81845-10 | 9 - 17 | | 16 - 10 |
| 704-48128-00 | 36 - 62 | 704-48222-P0 | 35 - 32 | EL8-48254-00 | 35 - 27 | | 35 - 24 | 67F-81846-00 | 19 - 26 | 67F-82362-00 | 16 - 5 |
| 703-48129-00 | 34 - 38 | | 36 - 32 | | 36 - 27 | | 36 - 24 | 67F-81850-00 | 19 - 2 | | 16 - 9 |
| 704-48129-00 | 35 - 2 | 703-48223-00 | 34 - 28 | EL8-48259-00 | 35 - 7 | 63P-48531-00 | 21 - 1 | 67F-81857-00 | 19 - 9 | 63P-82380-00 | 10 - 28 |
| | 36 - 2 | 703-48225-00 | 34 - 29 | | 36 - 7 | 63P-48532-00 | 21 - 2 | 6C5-81869-00 | 19 - 23 | 63P-82388-00 | 16 - 15 |
| 704-48144-10 | 35 - 50 | 6X3-48225-20 | 35 - 43 | 704-48261-00 | 35 - 15 | 63P-48538-00 | 21 - 4 | 67F-81891-00 | 19 - 16 | 6Y8-82507-00 | 43 - 10 |
| 704-48144-20 | 36 - 50 | | 36 - 43 | | 36 - 15 | 6E5-61301-01 | 32 - 10 | 63P-81919-00 | 17 - 37 | 61B-82510-02 | 39 - 4 |
| 703-48152-00 | 34 - 58 | 703-48226-00 | 34 - 26 | 703-48261-01 | 34 - 2 | 6E5-61303-00 | 32 - 14 | 6Y8-81920-01 | 40 - 8 | 6R5-82510-03 | 38 - 4 |
| 703-48153-00 | 34 - 3 | 703-48227-00 | 34 - 24 | 704-48262-00 | 35 - 8 | 6E5-61311-11 | 32 - 12 | 6Y8-81920-11 | 40 - 10 | 6Y8-82510-03 | 43 - 3 |
| 704-48153-00 | 35 - 55 | 704-48229-P1 | 35 - 35 | | 36 - 8 | 6E5-61313-00 | 32 - 11 | | 41 - 4 | 703-82510-44 | 34 - 44 |
| | 36 - 55 | | 36 - 35 | 703-48264-00 | 34 - 6 | 6E5-61315-00 | 32 - 13 | 60V-81925-00 | 19 - 28 | 6Y8-82521-11 | 40 - 12 |
| 704-48156-00 | 36 - 63 | 704-48229-F0 | 36 - 60 | 704-48264-00 | 35 - 9 | 6E5-61350-02 | 32 - 1 | 63P-81941-00 | 19 - 22 | | 41 - 6 |
| EL8-48164-00 | 35 - 41 | 704-48231-00 | 35 - 25 | | 36 - 9 | 6E5-61351-01 | 32 - 2 | 63P-81942-00 | 17 - 24 | 6Y8-82521-51 | 40 - 13 |
| | 36 - 41 | | 36 - 25 | 703-48265-00 | 34 - 9 | 6E5-61355-00 | 32 - 5 | 63P-81948-00 | 17 - 13 | | 41 - 7 |
| 704-48166-00 | 35 - 56 | 703-48232-00 | 34 - 63 | 704-48265-00 | 35 - 4 | 68V-81145-01 | 10 - 7 | 68F-81949-02 | 18 - 33 | 703-82531-00 | 34 - 47 |
| | 36 - 56 | 704-48232-P1 | 35 - 40 | | 36 - 4 | 68V-81146-01 | 10 - 27 | 68V-8194A-00 | 17 - 4 | 6K1-82532-00 | 34 - 46 |
| | | | 36 - 40 | 703-48268-00 | 34 - 5 | 68V-81147-00 | 10 - 29 | 63P-81950-00 | 17 - 9 | 703-82532-00 | 38 - 6 |
| 704-48167-01 | 35 - 61 | | 35 - 53 | 703-48271-00 | 34 - 61 | 63P-8132G-00 | 15 - 19 | 68V-81950-00 | 43 - 9 | | 39 - 6 |
| 704-48167-11 | 36 - 69 | 704-48233-00 | | | | | | | | | |

NUMERICAL INDEX
INDICE NUMERICO

| PART NO. CODIGO N° | REF. NO. | PART NO. CODIGO N° | REF. NO. | PART NO. CODIGO N° | REF. NO. | PART NO. CODIGO N° | REF. NO. | PART NO. CODIGO N° | REF. NO. | PART NO. CODIGO N° | REF. NO. |
|-----------------------|-------------|-----------------------|-------------|-----------------------|-------------|-----------------------|-------------|-----------------------|-------------|-----------------------|-------------|
| 703-82532-00 | 43 - 5 | 6K1-8258A-40 | 38 - 18 | 60V-8366D-00 | 42 - 15 | K0F-A3751-N0 | 7 - 8 | 90119-06M10 | 28 - 17 | 90185-05002 | 29 - 15 |
| 703-82540-00 | 34 - 51 | | 39 - 23 | 63P-8366P-01 | 18 - 26 | K0F-A3751-P0 | 7 - 8 | | 30 - 18 | | 31 - 15 |
| 704-82540-20 | 35 - 10 | 704-82590-10 | 36 - 59 | 67H-83672-01 | 23 - 3 | K0F-A3751-R0 | 7 - 8 | 90119-06M18 | 26 - 32 | 90185-09M01 | 32 - 6 |
| 704-82540-30 | 36 - 10 | 63P-82590-51 | 18 - 1 | 6Y8-84383-00 | 40 - 3 | K0F-A3751-S0 | 7 - 8 | 90119-06M81 | 3 - 18 | | 32 - 20 |
| 6Y8-82553-21 | 40 - 11 | 703-82591-00 | 34 - 54 | | 40 - 7 | K0F-A3751-T0 | 7 - 8 | 90119-06M82 | 8 - 16 | 90185-14M00 | 23 - 33 |
| | 41 - 5 | 703-82592-00 | 34 - 55 | | 41 - 3 | K0F-A3753-00 | 7 - 8 | 90119-06M83 | 13 - 39 | 90185-22M11 | 22 - 19 |
| 682-82556-00 | 34 - 49 | 63P-82594-00 | 17 - 18 | 68F-85119-00 | 17 - 16 | K0F-A3753-10 | 7 - 8 | 90119-06MA2 | 3 - 24 | 90201-06068 | 20 - 14 |
| | 38 - 8 | 703-82594-00 | 34 - 25 | 6Y8-85371-01 | 40 - 9 | K0F-A3753-20 | 7 - 8 | | 6 - 11 | 90201-06M31 | 21 - 39 |
| | 39 - 8 | 704-82594-00 | 35 - 33 | 68F-85516-01 | 17 - 14 | K0F-A3753-30 | 7 - 8 | 90119-06MA4 | 6 - 5 | | 21 - 45 |
| | 43 - 7 | | 36 - 33 | 60V-85544-00 | 17 - 33 | K0F-A3753-40 | 7 - 8 | | 6 - 22 | | 21 - 52 |
| 6P2-82560-01 | 18 - 23 | 60V-8259F-00 | 21 - 32 | 689-85547-00 | 13 - 1 | K0F-A3753-50 | 7 - 8 | | 16 - 18 | 90201-10060 | 22 - 21 |
| 69J-82563-00 | 18 - 18 | 69J-8259F-00 | 21 - 10 | 68V-85548-00 | 17 - 22 | K0F-A3753-60 | 7 - 8 | 90119-07234 | 5 - 7 | 90201-10M20 | 32 - 7 |
| 703-82563-12 | 34 - 56 | 63P-8259L-00 | 11 - 26 | 63P-85580-00 | 15 - 3 | K0F-A3753-70 | 7 - 8 | 90119-07235 | 5 - 6 | 90201-10M76 | 32 - 17 |
| 704-82563-41 | 35 - 34 | 63P-8259M-00 | 18 - 7 | 61A-85790-00 | 18 - 12 | 63P-W0001-03 | 44 - 1 | 90119-08M22 | 3 - 28 | 90201-12426 | 22 - 45 |
| 704-82563-51 | 36 - 34 | 68F-82846-00 | 17 - 31 | 61B-85830-01 | 39 - 14 | 63P-W0001-21 | 45 - 1 | 90119-08102 | 26 - 2 | 90201-13M01 | 22 - 44 |
| 704-82563-H1 | 36 - 61 | 6Y8-83363-00 | 40 - 2 | 6S1-85885-00 | 10 - 6 | 6S1-W0078-00 | 1 - 20 | 90119-08M14 | 28 - 35 | 90201-15M58 | 23 - 21 |
| 704-82563-J1 | 36 - 64 | | 40 - 6 | 63P-85886-00 | 18 - 15 | | 45 - 21 | | 30 - 36 | 90201-16M01 | 23 - 32 |
| 6Y8-82570-03 | 43 - 1 | | 41 - 2 | 6BM-8591A-03 | 17 - 1 | 63P-W009A-03-9S | 5 - 1 | | 45 - 29 | 90201-16M55 | 23 - 20 |
| 61B-82570-05 | 39 - 1 | 6R5-83383-00 | 38 - 13 | 6C5-86120-00 | 9 - 15 | 6BM-W009B-02-9S | 3 - 1 | 90119-08M22 | 20 - 3 | 90201-22M01 | 28 - 21 |
| 6R5-82570-06 | 38 - 1 | | 39 - 13 | 6Y5-87122-S0 | 37 - 11 | 63P-W1165-10 | 4 - 7 | 90119-08M58 | 26 - 5 | | 30 - 22 |
| 6Y8-82571-01 | 43 - 2 | | 43 - 8 | 63P-8A4L0-10 | 42 - 23 | 63P-W1510-03-9S | 3 - 2 | 90119-08M66 | 3 - 19 | 90201-24014 | 15 - 13 |
| 6K1-82571-02 | 39 - 2 | 703-83383-11 | 34 - 52 | 60V-8A4L1-12 | 42 - 1 | 90101-09M70 | 32 - 18 | 90119-08M91 | 5 - 19 | 90201-26M59 | 22 - 18 |
| 704-82571-02 | 38 - 2 | 6Y8-83500-01 | 40 - 5 | 63P-8A4L2-01 | 42 - 11 | 90101-12M05 | 22 - 43 | 90119-10007 | 26 - 20 | 90201-30M92 | 28 - 67 |
| 6K1-82575-00 | 39 - 7 | 6Y8-8350T-01 | 40 - 1 | K0F-A3741-00 | 7 - 5 | 90105-06037 | 3 - 29 | 90119-10008 | 29 - 11 | 90201-35008 | 23 - 18 |
| | 43 - 6 | | 41 - 1 | K0F-A3742-00 | 7 - 6 | 90105-06M07 | 5 - 13 | | 31 - 11 | 90201-38M60 | 23 - 10 |
| 688-82575-01 | 34 - 48 | 6Y5-8350T-91 | 37 - 1 | K0F-A3743-00 | 7 - 3 | | 6 - 15 | 90119-10024 | 23 - 30 | 90202-08M20 | 21 - 15 |
| | 38 - 7 | 6Y5-83533-T2 | 37 - 9 | K0F-A3751-00 | 7 - 8 | 90105-10071 | 3 - 9 | 90119-10050 | 7 - 13 | 90202-16061 | 21 - 22 |
| 703-82577-00 | 34 - 45 | 6Y5-83553-00 | 37 - 12 | K0F-A3751-10 | 7 - 8 | 90105-10M00 | 29 - 17 | 90149-05M05 | 38 - 14 | 90202-28001 | 23 - 37 |
| 676-82577-01 | 38 - 5 | 6Y8-83553-01 | 40 - 14 | K0F-A3751-20 | 7 - 8 | | 31 - 17 | | 39 - 19 | 90202-32M19 | 23 - 19 |
| | 39 - 5 | 6Y5-83553-M0 | 37 - 12 | K0F-A3751-30 | 7 - 8 | 90109-06M80 | 18 - 25 | | 43 - 15 | 90202-40M47 | 23 - 13 |
| | 43 - 4 | 6Y5-83557-10 | 37 - 16 | K0F-A3751-40 | 7 - 8 | | 20 - 39 | 90151-05M05 | 6 - 3 | 90206-10M04 | 21 - 40 |
| 64D-82581-00 | 38 - 9 | 6E5-83558-00 | 26 - 28 | K0F-A3751-50 | 7 - 8 | 90109-06M81 | 42 - 4 | 90151-06M02 | 3 - 15 | | 21 - 46 |
| | 43 - 11 | 6Y5-8355X-T1 | 37 - 5 | K0F-A3751-60 | 7 - 8 | | 42 - 16 | | 3 - 21 | | 21 - 53 |
| 68F-82582-00 | 19 - 29 | | 37 - 10 | K0F-A3751-70 | 7 - 8 | 90109-06M82 | 20 - 10 | 90152-05M08 | 29 - 14 | 90206-15M18 | 20 - 13 |
| 6DA-82582-00 | 18 - 2 | 6Y8-8356N-01 | 40 - 4 | K0F-A3751-80 | 7 - 8 | | 20 - 22 | | 31 - 14 | 90206-22M19 | 28 - 22 |
| 6DA-82582-10 | 18 - 3 | 6Y5-83570-S6 | 37 - 6 | K0F-A3751-90 | 7 - 8 | 90109-06M86 | 18 - 22 | 90155-10006 | 5 - 18 | | 30 - 23 |
| 6Y8-82582-11 | 18 - 4 | 63P-83614-01 | 18 - 21 | K0F-A3751-A0 | 7 - 8 | | 20 - 17 | 90159-05059 | 23 - 2 | 90249-06M19 | 22 - 35 |
| | 40 - 16 | 6K1-83614-01 | 39 - 9 | K0F-A3751-B0 | 7 - 8 | | 20 - 46 | 90159-06M28 | 20 - 38 | 90250-08M07 | 28 - 56 |
| 69J-82587-00 | 18 - 20 | 63P-83626-00 | 5 - 29 | K0F-A3751-C0 | 7 - 8 | | 21 - 3 | 90169-05M00 | 17 - 25 | | 30 - 57 |
| 63P-82588-00 | 3 - 35 | 6AW-83651-00 | 18 - 17 | K0F-A3751-D0 | 7 - 8 | 90109-08019 | 21 - 34 | 90170-09M05 | 32 - 19 | 90280-04M05 | 28 - 31 |
| 6E9-82588-00 | 18 - 24 | 6Y5-83653-30 | 37 - 15 | K0F-A3751-E0 | 7 - 8 | 90109-14005 | 23 - 31 | 90170-14M06 | 32 - 15 | | 30 - 32 |
| 61A-82588-01 | 21 - 11 | 6Y5-83653-40 | 37 - 15 | K0F-A3751-F0 | 7 - 8 | 90109-14007 | 23 - 22 | 90170-16M01 | 28 - 47 | | 45 - 30 |
| 61B-82588-01 | 39 - 3 | 6AW-8366B-01 | 42 - 2 | K0F-A3751-G0 | 7 - 8 | 90110-05020 | 7 - 18 | | 30 - 48 | 90280-05015 | 15 - 12 |
| 6R5-82588-01 | 38 - 3 | | 42 - 12 | K0F-A3751-H0 | 7 - 8 | 90119-06071 | 13 - 18 | 90171-18M04 | 29 - 21 | 90282-04M00 | 28 - 68 |
| 61B-8258A-01 | 39 - 24 | | 42 - 24 | K0F-A3751-J0 | 7 - 8 | 90119-06076 | 8 - 14 | | 31 - 21 | | 30 - 70 |
| | 43 - 19 | 63P-8366C-00 | 42 - 13 | K0F-A3751-K0 | 7 - 8 | 90119-06134 | 16 - 6 | 90179-06M24 | 2 - 16 | 90338-25004 | 3 - 7 |
| 688-8258A-20 | 34 - 50 | | 42 - 25 | K0F-A3751-L0 | 7 - 8 | 90119-06135 | 9 - 25 | 90179-08003 | 19 - 27 | 90340-08002 | 28 - 6 |
| 688-8258A-30 | 18 - 32 | 60V-8366D-00 | 42 - 3 | K0F-A3751-M0 | 7 - 8 | | 13 - 40 | 90179-24002 | 15 - 14 | | 30 - 7 |

NUMERICAL INDEX
INDICE NUMERICO

| PART NO. CODIGO N° | REF. NO. | PART NO. CODIGO N° | REF. NO. | PART NO. CODIGO N° | REF. NO. | PART NO. CODIGO N° | REF. NO. | PART NO. CODIGO N° | REF. NO. | PART NO. CODIGO N° | REF. NO. |
|-----------------------|---|----------------------------|--|--|-------------------------------|-----------------------|--|---|--|---|-------------------------------|
| 90340-14M06 | 5 - 8 6 - 26 27 - 6 | 90445-07017 | 42 - 18 | 90480-10627 | 17 - 17 | 92990-05600 | 43 - 18 | 93101-30M17 | 28 - 64 | 93210-58144 | 28 - 15 |
| | | 90445-070F1 | 26 - 30 | 90480-10M23 | 9 - 4 | 92990-06100 | 2 - 6 | | 30 - 67 | | 30 - 16 |
| | | 90445-10027 | 6 - 25 | | 13 - 17 | | 2 - 19 | | 45 - 19 | | 45 - 12 |
| 90340-18M09 | 6 - 23 | 90445-11020 | 2 - 21 | 90480-12314 | 5 - 28 | | 39 - 17 | 93102-08414 | 25 - 11 | 93210-68N50 | 24 - 15 |
| 90340-27129 | 3 - 16 | 90445-13511 | 13 - 2 | 90480-13M24 | 20 - 40 | 92990-06300 | 35 - 46 | 93102-38008 | 7 - 14 | 93210-86M38 | 28 - 26 |
| 90344-51019 | 5 - 4 | 90445-13M01 | 14 - 2 | 90480-20M05 | 6 - 8 | | 36 - 46 | | 44 - 13 | | 30 - 27 |
| 90386-06M12 | 21 - 18 | | 14 - 9 | 90480-22M81 | 20 - 4 | 92990-06600 | 39 - 18 | 93102-60004 | 4 - 3 | | 45 - 14 |
| 90386-08005 | 8 - 13 | 90445-13M35 | 14 - 4 | 90501-12082 | 21 - 28 | 92990-08600 | 34 - 34 | | 44 - 12 | | 45 - 23 |
| 90386-10M16 | 22 - 33 | 90447-07013 | 42 - 7 | 90501-16M11 | 6 - 7 | 92990-10600 | 18 - 13 | 93106-09014 | 28 - 16 | 93210-97M55 | 28 - 65 |
| 90386-12069 | 21 - 31 | | 42 - 19 | 90501-16M37 | 28 - 52 | 92990-18200 | 29 - 20 | | 30 - 17 | | 30 - 68 |
| 90386-15M73 | 20 - 12 | 90450-22M14 | 8 - 6 | | 30 - 53 | | 31 - 20 | | 45 - 13 | | 45 - 20 |
| 90386-16M66 | 21 - 21 | 90462-06013 | 6 - 38 | 90506-16003 | 22 - 38 | 92995-06100 | 15 - 9 | 93106-19N50 | 24 - 5 | 93306-209U0 | 28 - 60 |
| 90386-22M98 | 22 - 24 | 90462-10051 | 8 - 7 | 90506-16M34 | 20 - 18 | | 16 - 13 | 93210-064A5 | 24 - 49 | 93311-928U5 | 28 - 3 |
| | | 90464-05141 | 16 - 16 | 90508-20M31 | 21 - 30 | 92995-06600 | 2 - 11 | | 24 - 63 | | 30 - 3 |
| 90386-25M31 | 22 - 17 | 90464-07M41 | 16 - 11 | 90560-12M01 | 32 - 4 | | 5 - 26 | 93210-07003 | 26 - 35 | 93315-425V3 | 28 - 49 |
| 90386-38M32 | 23 - 12 | 90464-09M31 | 9 - 19 | 91318-04025 | 24 - 55 | | 6 - 40 | | 28 - 13 | | 30 - 50 |
| 90387-06176 | 17 - 15 | 90464-11012 | 9 - 21 | 91318-05025 | 24 - 57 | | 9 - 7 | | 30 - 14 | 93315-43061 | 28 - 63 |
| 90387-06263 | 27 - 9 | 90464-13M34 | 13 - 20 | 91318-05040 | 24 - 41 | | 13 - 15 | | 45 - 10 | | 30 - 66 |
| 90387-06280 | 8 - 15 | 90464-16013 | 3 - 32 | 91490-40030 | 29 - 22 | | 15 - 10 | 93210-07N51 | 24 - 54 | 93317-330U2 | 28 - 38 |
| 90387-06289 | 9 - 5 | 90464-20006 | 8 - 9 | | 31 - 22 | | 15 - 21 | 93210-08287 | 14 - 7 | | 30 - 39 |
| | 13 - 16 | 90464-20181 | 20 - 45 | 91609-16012 | 24 - 12 | | 16 - 14 | 93210-09165 | 21 - 20 | 93332-00048 | 30 - 61 |
| 90387-06M29 | 21 - 41 | 90464-20258 | 20 - 50 | 91690-30010 | 21 - 5 | | 17 - 3 | | 24 - 19 | 93332-000V3 | 28 - 4 |
| | 21 - 54 | 90464-23199 | 17 - 20 | | 21 - 26 | | 18 - 6 | 93210-11N52 | 24 - 18 | 93341-440U5 | 30 - 64 |
| 90387-06M43 | 20 - 41 | | 20 - 47 | 91690-30020 | 22 - 37 | | 18 - 9 | 93210-12N52 | 24 - 39 | 93341-465U4 | 30 - 5 |
| 90387-06M82 | 21 - 47 | 90464-26001 | 12 - 21 | 91690-50014 | 8 - 4 | | 18 - 11 | 93210-16275 | 32 - 9 | 93341-930V2 | 28 - 40 |
| 90387-08M37 | 20 - 5 | 90465-08M63 | 22 - 26 | 91809-08006 | 5 - 5 | | 18 - 28 | 93210-18397 | 24 - 35 | | 30 - 41 |
| 90387-10M05 | 22 - 36 | 90465-10032 | 2 - 3 | 91811-11001 | 3 - 27 | | 22 - 5 | 93210-19MJ1 | 6 - 31 | 93390-000U2 | 30 - 4 |
| 90387-10M61 | 32 - 3 | 90465-11M10 | 9 - 24 | 91814-18002 | 3 - 5 | | 22 - 8 | | 44 - 17 | 93410-16006 | 21 - 23 |
| 90387-14004 | 23 - 36 | | 13 - 4 | | 3 - 6 | | 22 - 12 | 93210-19MJ3 | 27 - 22 | 93410-22M11 | 22 - 41 |
| 90430-06M03 | 5 - 14 6 - 16 | | 13 - 4 13 - 37 | 92780-06020 | 35 - 28 36 - 28 | | 27 - 18 42 - 10 | | 44 - 18 6 - 34 | 93410-37M04 93420-36M01 | 23 - 15 26 - 23 |
| 90430-08020 | 1 - 18 28 - 8 30 - 9 45 - 11 | | 18 - 14 20 - 25 20 - 34 22 - 20 | 92903-05100 | 38 - 11 38 - 16 43 - 13 | | 42 - 22 18 - 31 22 - 16 | 93210-24M79 | 44 - 19 3 - 17 27 - 19 | 93430-06024 | 34 - 10 35 - 6 36 - 6 |
| | | | 23 - 5 26 - 29 37 - 17 | 92903-05600 92903-06600 92903-08100 92903-08600 | 17 - 12 19 - 33 8 - 3 | | 28 - 44 30 - 45 29 - 9 | 93210-25552 | 44 - 5 3 - 8 44 - 6 | 93501-04M02 93501-08001 | 21 - 27 24 - 52 24 - 64 |
| 90430-14115 | 5 - 9 6 - 27 42 - 14 42 - 26 44 - 2 | | 42 - 5 42 - 17 17 - 21 | 92907-04600 92990-04100 | 19 - 31 5 - 23 37 - 3 | | 31 - 9 23 - 8 26 - 39 | 93210-25647 | 24 - 27 13 - 38 28 - 27 | 93503-16003 | 24 - 44 28 - 55 30 - 56 |
| | | 90465-13M18 | 17 - 21 | | 37 - 7 | 92995-10100 | 29 - 10 | | 30 - 28 | 93505-32038 | 24 - 11 |
| 90430-14M09 | 1 - 17 27 - 7 44 - 15 45 - 3 | 90467-09M09 90467-15M14 | 9 - 23 3 - 31 3 - 33 | 92990-05100 | 39 - 11 39 - 21 43 - 17 | | 31 - 10 31 - 10 23 - 25 | 93210-29375 93210-30682 93210-37160 | 24 - 27 13 - 38 28 - 27 | | 24 - 44 28 - 55 30 - 56 |
| | | | 21 - 7 | | 37 - 7 | 92995-10600 | 29 - 10 | | 45 - 15 | | 24 - 71 |
| 90430-18130 | 6 - 24 44 - 10 | 90468-18008 | 21 - 16 21 - 37 | 92990-05300 | 35 - 36 36 - 36 | | 29 - 10 31 - 10 | 93210-37MH7 | 23 - 11 | 93507-32009 | 28 - 53 30 - 54 |
| 90445-07017 | 42 - 6 | 90480-06M19 | 14 - 11 | 92990-05600 | 39 - 22 | 93101-28M16 | 23 - 34 28 - 37 30 - 38 45 - 17 | 93210-554A9 93210-55M14 | 25 - 12 28 - 41 30 - 42 45 - 18 | 93511-32017 93604-29184 93605-10108 | 28 - 54 24 - 56 7 - 11 |

NUMERICAL INDEX
INDICE NUMERICO

| PART NO. CODIGO N° | REF. NO. | PART NO. CODIGO N° | REF. NO. | PART NO. CODIGO N° | REF. NO. | PART NO. CODIGO N° | REF. NO. | PART NO. CODIGO N° | REF. NO. | PART NO. CODIGO N° | REF. NO. |
|-----------------------|-------------|-----------------------|-------------|-----------------------|-------------|-----------------------|-------------|-----------------------|-------------|-----------------------|-------------|
| 93605-17002 | 7 - 19 | 97013-08020 | 8 - 2 | 97575-10545 | 26 - 3 | | | | | | |
| 93606-12019 | 3 - 3 | 97013-08045 | 19 - 30 | 97595-06516 | 10 - 15 | | | | | | |
| | 28 - 34 | 97095-06010 | 22 - 7 | 97595-06545 | 6 - 37 | | | | | | |
| | 30 - 35 | | 22 - 30 | 97595-06550 | 21 - 13 | | | | | | |
| | 45 - 28 | 97095-06012 | 6 - 39 | 97595-06610 | 17 - 7 | | | | | | |
| 93606-19M23 | 26 - 14 | | 18 - 10 | | 17 - 10 | | | | | | |
| 93608-16M16 | 26 - 4 | | 18 - 27 | 97595-06625 | 24 - 42 | | | | | | |
| | 26 - 21 | 97095-06014 | 13 - 14 | 97602-04316 | 25 - 9 | | | | | | |
| | 26 - 36 | 97095-06016 | 2 - 10 | 97780-50620 | 2 - 4 | | | | | | |
| | 27 - 4 | | 9 - 6 | | 17 - 32 | | | | | | |
| | 29 - 7 | | 15 - 20 | 97780-60520 | 20 - 29 | | | | | | |
| | 31 - 7 | | 17 - 2 | 97780-60620 | 17 - 6 | | | | | | |
| 93700-06M01 | 21 - 33 | | 18 - 5 | | 17 - 19 | | | | | | |
| 93700-06M03 | 21 - 35 | | 18 - 8 | | 17 - 23 | | | | | | |
| | 22 - 13 | | 42 - 9 | 97885-06012 | 22 - 11 | | | | | | |
| | 22 - 27 | | 42 - 21 | 97890-05016 | 35 - 62 | | | | | | |
| 94702-00391 | 1 - 5 | 97095-06020 | 20 - 15 | | 36 - 70 | | | | | | |
| | 5 - 30 | 97095-06025 | 16 - 12 | 97890-05025 | 35 - 14 | | | | | | |
| 95303-05600 | 38 - 15 | | 21 - 42 | | 36 - 14 | | | | | | |
| 95303-05700 | 38 - 12 | | 21 - 55 | 97890-06018 | 35 - 45 | | | | | | |
| | 43 - 14 | 97095-06030 | 5 - 25 | | 36 - 45 | | | | | | |
| 95333-08600 | 19 - 32 | | 22 - 4 | 97980-06216 | 26 - 25 | | | | | | |
| 95380-04600 | 37 - 4 | 97095-06035 | 15 - 8 | 97985-04116 | 21 - 12 | | | | | | |
| | 37 - 8 | | 21 - 48 | 97985-06210 | 15 - 16 | | | | | | |
| 95380-05600 | 34 - 7 | 97095-06040 | 27 - 17 | 97985-06216 | 23 - 4 | | | | | | |
| | 35 - 21 | 97095-08016 | 18 - 30 | 98507-04008 | 5 - 22 | | | | | | |
| | 36 - 21 | 97095-08020 | 22 - 15 | 98580-04006 | 34 - 36 | | | | | | |
| | 39 - 12 | 97095-08025 | 28 - 43 | 98580-04010 | 34 - 35 | | | | | | |
| | 39 - 20 | | 30 - 44 | 98580-05010 | 34 - 37 | | | | | | |
| | 43 - 16 | 97095-10045 | 26 - 37 | 98780-05016 | 3 - 12 | | | | | | |
| 95380-05700 | 10 - 18 | | 29 - 8 | 98780-05018 | 35 - 29 | | | | | | |
| 95380-06600 | 2 - 7 | | 31 - 8 | | 36 - 29 | | | | | | |
| | 2 - 20 | 97303-05012 | 38 - 10 | 98980-05010 | 39 - 10 | | | | | | |
| | 9 - 16 | 97380-05025 | 34 - 8 | 98980-06020 | 39 - 15 | | | | | | |
| | 20 - 37 | 97380-06018 | 35 - 18 | 99001-08600 | 28 - 19 | | | | | | |
| | 34 - 40 | | 36 - 18 | | 30 - 20 | | | | | | |
| | 35 - 37 | 97380-08030 | 34 - 33 | 99530-08012 | 15 - 7 | | | | | | |
| | 36 - 37 | 97575-06535 | 21 - 25 | 99530-14016 | 5 - 17 | | | | | | |
| | 39 - 16 | 97575-06540 | 6 - 32 | 9E450-04533 | 37 - 2 | | | | | | |
| 95380-12600 | 22 - 46 | 97575-08535 | 26 - 13 | | | | | | | | |
| 95380-14600 | 23 - 24 | | 27 - 3 | | | | | | | | |
| 95380-14700 | 32 - 16 | 97575-08540 | 5 - 15 | | | | | | | | |
| 95780-10300 | 23 - 7 | | 6 - 17 | | | | | | | | |
| 95812-06025 | 27 - 11 | | 8 - 1 | | | | | | | | |
| 95895-06010 | 22 - 42 | 97575-08560 | 26 - 10 | | | | | | | | |
| 95895-06016 | 27 - 23 | 97575-10530 | 22 - 22 | | | | | | | | |
| 97003-05012 | 43 - 12 | 97575-10535 | 26 - 6 | | | | | | | | |
| 97013-06020 | 17 - 11 | 97575-10540 | 23 - 28 | | | | | | | | |