



**PARTS
CATALOGUE
CATALOGO
DE REPUESTOS**

**E9.9DMH'18 (6B3G)
E15DMH'18 (6B4G)**



1S6B3-200SA

()

2018/9/4

| NEWS NO. | DATE | COMMENT |
|---------------|-------------|-------------------------------------|
| PE0-OM-180025 | Sep.,3,2018 | MOD:FIG.10 ELECTRICAL LIST REVISION |

E9.9DMH/E15DMH
PARTS CATALOGUE
©2018 by Yamaha Motor Co., Ltd.
1st edition, July 2018
All rights reserved.
Any reprinting or unauthorized use
without the written permission of
Yamaha Motor Co., Ltd.
is expressly prohibited.
Printed in Japan.

E9.9DMH/E15DMH
CATALOGO DE REPUESTOS
©2018 por Yamaha Motor Co., Ltd.
1ª edición, julio 2018
Todos los derechos reservados.
Toda reproducción o uso no autorizado
sin el consentimiento escrito de
Yamaha Motor Co., Ltd.
quedan expresamente prohibidos
Impreso en Japón.

FOREWORD

This Parts Catalogue is related to the parts for the model(s) on the cover page. When you are ordering replacement parts, please refer to this Parts Catalogue and quote both part numbers and part names correctly.

1. Modifications or additions which have been made after the issue of the Parts Catalogue will be announced in the Parts News.
It is advisable that you make the necessary corrections to the Parts Catalogue according to the Parts News.

2. Abbreviations

The following abbreviations are used in this Parts Catalogue.

“UR” Use specified parts number.

“UN” Use as many as needed.

“AP” Alternate Parts

“LM” Locally Made (Parts need to be ordered locally)

“F#” Frame No. (Applicable machine No.)

“O/S” Over Size

3. The number of components for assembly

- Parts, which are to be supplied in an assembly, are listed with a dot (.) in front of the part name as shown below.
- The numeral appearing to the right of each component part indicates the quantity of parts for each assembly unit.

| PART NO. | DESCRIPTION | Q'TY | REMARKS |
|--------------|--------------------------|------|---------|
| 2F5-83310-60 | FRONT FLASHER LIGHT ASSY | 2 | |
| 115-83311-60 | .BULB (6V-18W) | 1 | |

4. Applicable colours of graphics are represented in the “REMARKS” as shown below.

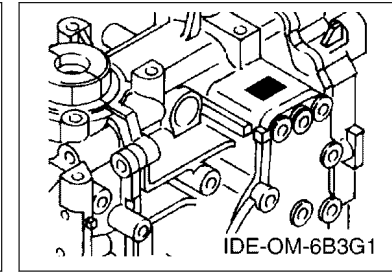
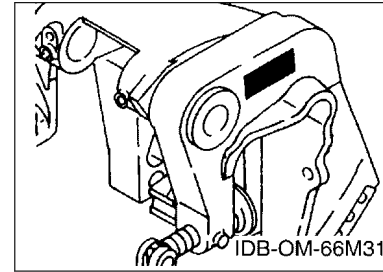
| PART NO. | DESCRIPTION | Q'TY | REMARKS |
|-----------------|---------------------|------|---------|
| 2N4-24110-00-X5 | FUEL TANK COMP. | 2 | MXR |
| 3J1-24240-10 | .GRAPHIC, FUEL TANK | 1 | FOR MXR |

5. Note that the illustrations for reference in finding parts numbers are not to be used for assembling. When assembling, please use the applicable service manual.

6. The asterisk (*) before a reference number indicates modified items after the first edition.

7. Applicable Serial No.

Engine Serial No.



8. Applicable Engine Starting Serial No.

| Model | Serial No. | Model | Serial No. |
|-------|--------------|-------|--------------|
| E9.9D | 6B3K-1022810 | E15D | 6B4K-1305279 |
| | | | |
| | | | |
| | | | |

9. Applicable Colour Code

| Abbreviation | Colour Name | Colour Code |
|--------------|--------------------|-------------|
| DBN1 | DARK BLUISH GRAY 1 | 008D |

10. Quantity Column Information

| Column No. | Name Of Q'ty Column | Applicable Model |
|------------|---------------------|------------------|
| 1 | 6B3G | E9.9DMH |
| 2 | 6B4G | E15DMH |
| | | |
| | | |

PROLOGO

Este catálogo de repuestos corresponde a las piezas para el o los modelos que figuran en la página de portada. Al formular el pedido de repuestos, se ruega citar este catálogo y especificar correctamente el número y el nombre de las piezas.

1. Las modificaciones y agregados que se hayan realizado después de la edición de este Catálogo de Repuestos, serán anunciados en las Informaciones de Recambios. Es recomendable que se hagan las correcciones necesarias en el Catálogo de Repuestos de acuerdo con las Informaciones de Recambios.

2. Abreviaciones

En este. Catálogo de Repuestos se emplean las siguientes abreviaciones.

“UR” Usar el número de partes especificado

“UN” Usar la cantidad necesaria

“AP” Piezas sustitutivas

“LM” Fabricación local (Hay que pedir los repuestos en las cercanías)

“F#” N° de bastidor (N° aplicable a la máquina)

“O/S” Sobredimensionado

3. La cantidad de componentes para el montaje

- Los componentes, suministrados como conjunto, se describen con un punto (.) que precede al nombre del parte como se indica a continuación.
- La numeración que aparece a la derecha de cada descripción indica la cantidad de partes por cada unidad de conjunto.

| CODIGO N° | DESCRIPCION | CANT. | OBSERVACIONES |
|--------------|----------------------|-------|---------------|
| 2F5-83310-60 | ENSAMBLAJE DE LA LUZ | 2 | |
| 115-83311-60 | .BOMBILLA (6V-18W) | 1 | |

4. Los colores de los componentes se indican como sigue en la columna de “OBSERVACIONES”.

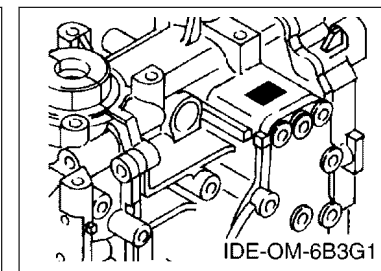
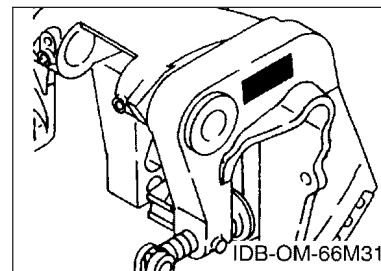
| CODIGO N° | DESCRIPCION | CANT. | OBSERVACIONES |
|-----------------|----------------------|-------|---------------|
| 2N4-24110-00-X5 | COMP. DEL TANQUE | 2 | MXR |
| 3J1-24240-10 | .GRAFICO, DEL TANQUE | 1 | PARA MXR |

5. Debe tenerse en cuenta que las ilustraciones sirven como guía para la búsqueda de los números de partes y no deben usarse para el montaje. Durante el montaje, se recomienda usar el manual de taller correspondiente.

6. EL asterisco (*) antes del número de referencia indica los elementos modificados después de la primera edición.

7. Números de serie

N° de Serie del motor



8. Números de serie del motor

| Modelo | N° de serie | Modelo | N° de serie |
|--------|--------------|--------|--------------|
| E9.9D | 6B3K-1022810 | E15D | 6B4K-1305279 |
| | | | |
| | | | |
| | | | |

9. Códigos de color aplicables

| Abreviatura | Nombre de color | Código de color |
|-------------|--------------------|-----------------|
| DBN1 | DARK BLUISH GRAY 1 | 008D |

10. Información para la columna de cantidades

| Columna N° | Nombre de la columna de cantidades | Modelo aplicable |
|------------|------------------------------------|------------------|
| 1 | 6B3G | E9.9DMH |
| 2 | 6B4G | E15DMH |
| | | |
| | | |

CONTENTS

| | |
|------------------------------|----|
| SCHEDULED SERVICE PARTS..... | 1 |
| TOP COWLING..... | 2 |
| CYLINDER & CRANKCASE..... | 3 |
| CRANKSHAFT & PISTON..... | 5 |
| INTAKE..... | 7 |
| CARBURETOR..... | 8 |
| FUEL..... | 10 |
| STARTER..... | 11 |
| GENERATOR..... | 13 |
| ELECTRICAL..... | 14 |
| BOTTOM COWLING..... | 15 |
| STEERING..... | 16 |
| CONTROL..... | 17 |
| BRACKET 1..... | 19 |
| BRACKET 2..... | 22 |
| UPPER CASING..... | 24 |
| LOWER CASING & DRIVE 1..... | 26 |
| LOWER CASING & DRIVE 2..... | 29 |
| FUEL TANK..... | 31 |
| OPTIONAL PARTS..... | 32 |
| REPAIR KIT 1..... | 33 |
| REPAIR KIT 2..... | 34 |

INDEX

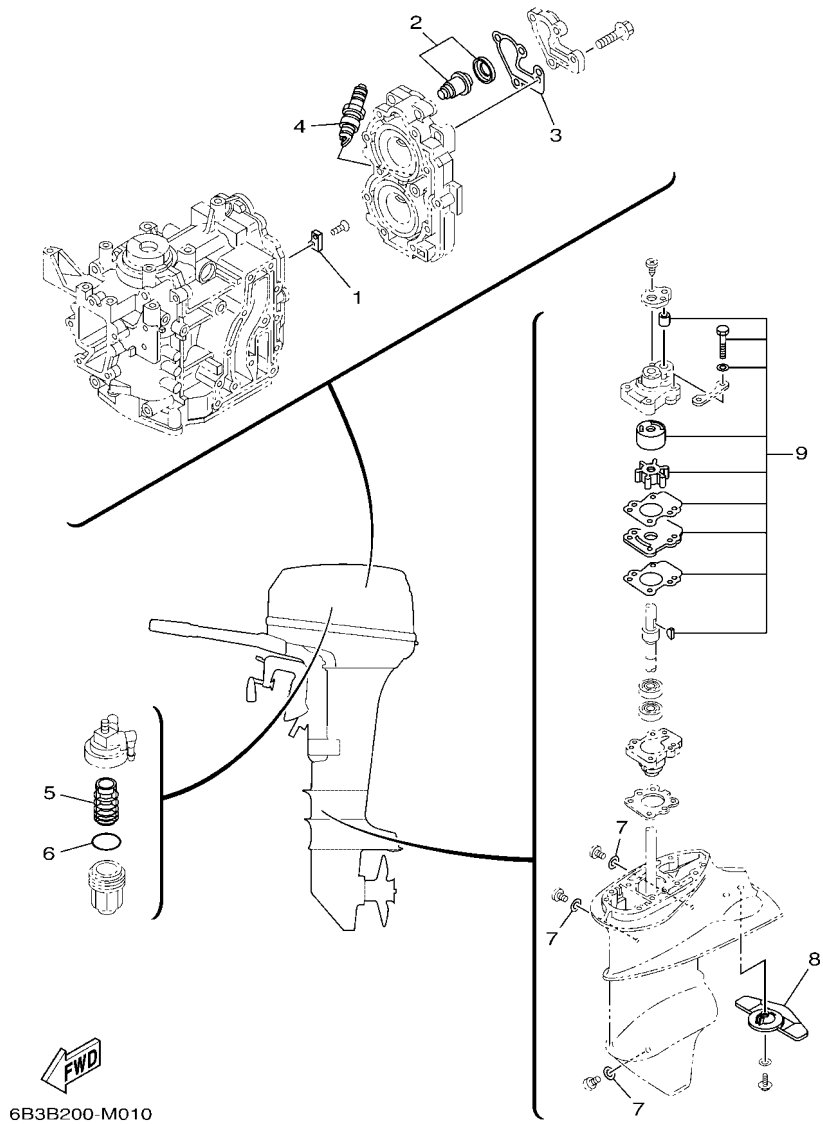
| | |
|----------------------|----|
| NUMERICAL INDEX..... | 35 |
|----------------------|----|

CONTENIDO

| | |
|------------------------------------|----|
| PARTES DE REPUESTO TEMPORALES..... | 1 |
| SOPORTE SUPERIOR..... | 2 |
| CYLINDRO & CARTER..... | 3 |
| CIGUENAL & PISTON..... | 5 |
| ADMISION..... | 7 |
| CARBURADOR..... | 8 |
| COMBUSTIBLE..... | 10 |
| ARRANQUE..... | 11 |
| GENERADOR..... | 13 |
| ELECTRICO..... | 14 |
| CUBIERTA INFERIOR..... | 15 |
| DIRECCION..... | 16 |
| CONTROL..... | 17 |
| SOPORTE 1..... | 19 |
| SOPORTE 2..... | 22 |
| FUNDA SUPERIOR..... | 24 |
| IMPULSOR E INFERIOR 1..... | 26 |
| IMPULSOR E INFERIOR 2..... | 29 |
| DEPOSITO DE COMBUSTIBLE..... | 31 |
| PARTES OPCIONALES..... | 32 |
| ESTUCHE REPARATION 1..... | 33 |
| ESTUCHE REPARATION 2..... | 34 |

INDICE

| | |
|----------------------|----|
| INDICE NUMERICO..... | 35 |
|----------------------|----|

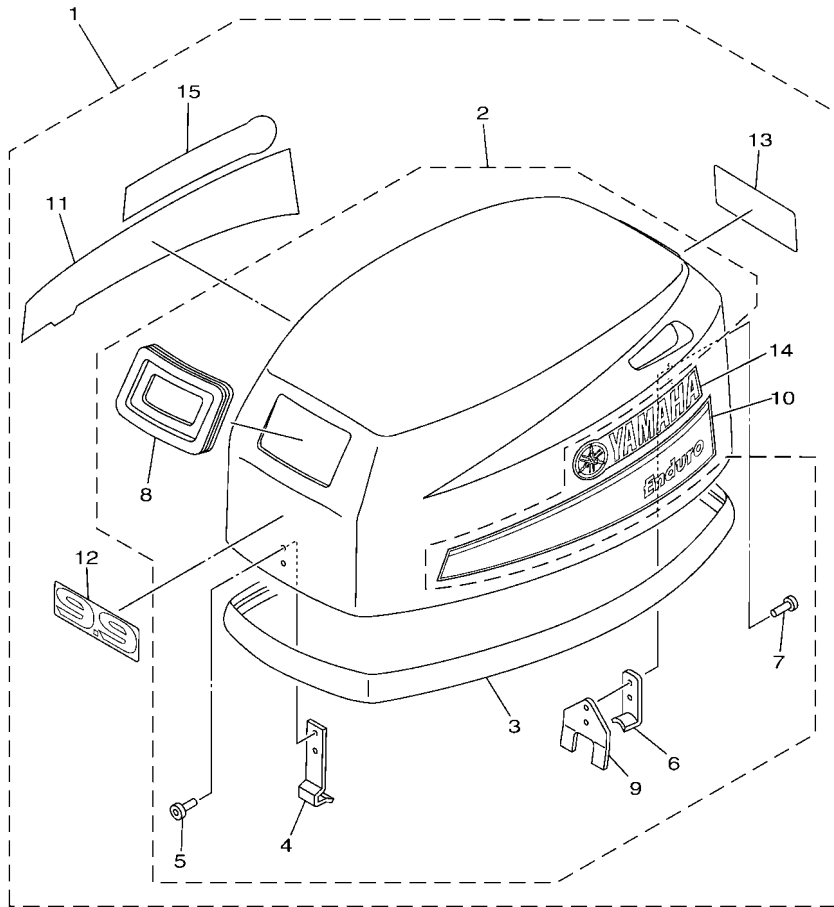


6B3B200-M010

FIG. 1 SCHEDULED SERVICE PARTS

PARTES DE REPUESTO TEMPORALES

| REF. NO. | PART NO. CODIGO N° | DESCRIPTION DESCRIPCION | 6B3G | 6B4G | REMARKS OBSERVACIONES |
|----------|--------------------|--|------|------|--------------------------|
| 1 | 682-11325-00 | ANODE ANODO | 1 | 1 | |
| 2 | 6E5-12411-30 | THERMOSTAT TERMOSTAT | 1 | 1 | |
| 3 | 682-12414-A1 | GASKET, COVER EMPAQUE | 1 | 1 | |
| 4 | 94702-00160 | PLUG, SPARK (NGK B8HS-10) BUJIA (NGK B8HS-10) | 2 | 2 | UR UR |
| | 94702-00247 | PLUG, SPARK (NGK BR8HS-10) BUJIA (NGK BR8HS-10) | 2 | 2 | UR FOR CAR UR FOR CAR |
| 5 | 61N-24563-00 | ELEMENT, FILTER ELEMENTO DEL FILTRO | 1 | 1 | |
| 6 | 93210-32738 | O-RING ANILLO O | 1 | 1 | |
| 7 | 90430-08003 | GASKET JUNTA | 3 | 3 | |
| 8 | 6B4-45251-00 | ANODE CATODE | 1 | 1 | |
| 9 | 6B4-W0078-0A | WATER PUMP REPAIR KIT ESTUCHE REPARACION BOMBA AGUA | 1 | 1 | |




 6B3F200-R020

FIG. 2 TOP COWLING

SOPORTE SUPERIOR

| REF. NO. | PART NO. CODIGO N° | DESCRIPTION DESCRIPCION | 6B3G | 6B4G | REMARKS OBSERVACIONES |
|----------|--------------------|---|------|------|-----------------------|
| 1 | 6B3-42610-20 | TOP COWLING ASSY SOPORTE SUPERIOR COMPL. | 1 | | |
| | 6B4-42610-40 | TOP COWLING ASSY SOPORTE SUPERIOR COMPL. | | 1 | |
| | 6B4-42610-50 | TOP COWLING ASSY SOPORTE SUPERIOR COMPL. | | 1 | FOR IDN FOR IDN |
| 2 | 6B4-4261A-00 | .TOP COWLING W/O GRAPHICS .SOPORTE SUPERIOR SIN GRAFICOS | 1 | 1 | |
| | 6B4-4261A-10 | .TOP COWLING W/O GRAPHICS .SOPORTE SUPERIOR SIN GRAFICOS | | 1 | FOR IDN FOR IDN |
| 3 | 6B4-42615-00 | ..SEAL ..SELLO | 1 | 1 | |
| 4 | 6B4-42651-00 | ..HOOK ..GANCHO | 1 | 1 | |
| 5 | 90266-04M00 | ..RIVET ..REMACHE | 2 | 2 | |
| 6 | 6B4-42647-00 | ..HOLDER, CLAMP BAND ..MORDAZA DE ABRAZADERA | 1 | 1 | |
| 7 | 90266-04005 | ..RIVET ..REMACHE | 2 | 2 | |
| 8 | 6B4-15761-00 | ..SEAL, RUBBER 1 ..SELLO DE GOMA 1 | 1 | 1 | |
| 9 | 6B4-42646-00 | ..PLATE, CLAMP ..PLACA GRAMPA | 1 | 1 | |
| 10 | 677-42675-10 | ..GRAPHIC, SIDE 1 ..CALCAMONIA LATERAL 1 | 1 | 1 | |
| 11 | 677-42676-10 | ..GRAPHIC, SIDE 2 ..CALCAMONIA LATERAL 2 | 1 | 1 | |
| 12 | 63V-42678-40 | ..GRAPHIC, REAR ..CALCAMONIA TRASERA | 1 | | |
| | 63W-42678-40 | ..GRAPHIC, REAR ..CALCAMONIA TRASERA | | 1 | |
| 13 | 63V-42678-40 | ..GRAPHIC, REAR ..CALCAMONIA TRASERA | 1 | | |
| | 63W-42678-40 | ..GRAPHIC, REAR ..CALCAMONIA TRASERA | | 1 | |
| 14 | 6E0-42681-40 | ..MARK, COWLING ..MARCA DE CUBIERTA | 1 | 1 | |
| 15 | 6E0-42681-40 | ..MARK, COWLING ..MARCA DE CUBIERTA | 1 | 1 | |

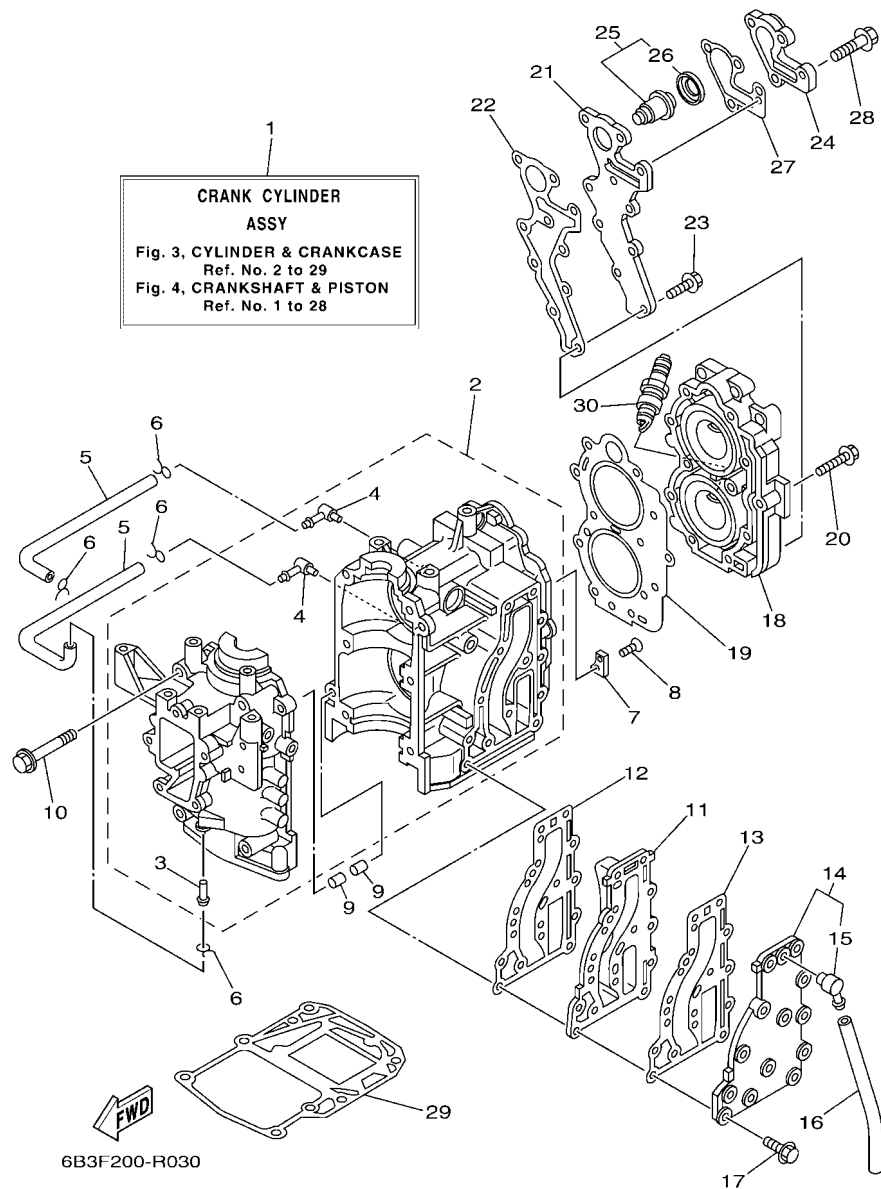


FIG. 3 CYLINDER & CRANKCASE

CYLINDRO & CARTER

| REF. NO. | PART NO. CODIGO N° | DESCRIPTION DESCRIPCION | 6B3G | 6B4G | REMARKS OBSERVACIONES |
|----------|--------------------|---|------|------|-----------------------|
| 1 | 6B4-W0090-00-1S | CRANK CYLINDER ASSY BLOQUE MOTOR COMPLETO | 1 | 1 | |
| 2 | 6B4-15100-00 | CRANKCASE ASSY CARTER COMPLETO | 1 | 1 | |
| 3 | 624-14485-00 | .PIPE, JOINT .TUBO DE UNION | 1 | 1 | |
| 4 | 650-14485-03 | .PIPE, JOINT .TUBO DE UNION | 2 | 2 | |
| 5 | 90445-07M08 | HOSE (L220) TUBO (L220) | 2 | 2 | |
| 6 | 90467-06016 | CLIP PRESILLA | 4 | 4 | |
| 7 | 682-11325-00 | ANODE ANODO | 1 | 1 | |
| 8 | 98780-05015 | SCREW, FLAT HEAD TORNILLO CABEZA PLANA | 1 | 1 | |
| 9 | 93606-12019 | PIN, DOWEL PASADOR DE CLAVIJA | 2 | 2 | |
| 10 | 90119-08M07 | BOLT, WITH WASHER TORNILLO CON ARANDELA | 6 | 6 | |
| 11 | 63V-41111-00-1S | INNER COVER, EXHAUST CUBIERTA INTERIOR DE ESCAPE | 1 | 1 | |
| 12 | 6B4-41112-A0 | GASKET, EXHAUST INNER COVER EMPAQUE | 1 | 1 | |
| 13 | 63V-41112-A0 | GASKET, EXHAUST INNER COVER EMPAQUE | 1 | 1 | |
| 14 | 63V-41113-00-1S | OUTER COVER, EXHAUST CUBIERTA EXTERIOR DE ESCAPE | 1 | 1 | |
| 15 | 676-11372-00 | .NIPPLE, HOSE .NIPLE DE MANGUERA | 1 | 1 | |
| 16 | 90445-09104 | HOSE (L300) TUBO (L300) | 1 | 1 | |
| 17 | 90119-06MA4 | BOLT, WITH WASHER TORNILLO CON ARANDELA | 13 | 13 | |
| 18 | 6B4-11111-00-1S | HEAD, CYLINDER 1 CULATA CILINDRO 1 | 1 | 1 | |
| 19 | 63V-11181-A2 | GASKET, CYLINDER HEAD 1 JUNTA, DE CULATA 1 | 1 | 1 | |
| 20 | 90105-07M05 | BOLT, FLANGE TORNILLO | 11 | 11 | |
| 21 | 6B4-11191-00-1S | COVER, CYLINDER HEAD 1 TAPA CULATA DE CILINDRO 1 | 1 | 1 | |
| 22 | 6B4-11193-A1 | GASKET, HEAD COVER 1 EMPAQUE | 1 | 1 | |
| 23 | 90119-06023 | BOLT, WITH WASHER TORNILLO CON ARANDELA | 6 | 6 | |
| 24 | 682-12413-00-1S | COVER, THERMOSTAT CUBIERTA TERMOSTATO | 1 | 1 | |
| 25 | 6E5-12411-30 | THERMOSTAT TERMOSTAT | 1 | 1 | |
| 26 | 688-12412-00 | .SEAL, THERMOSTAT .SELLO TERMOSTATO | 1 | 1 | |
| 27 | 682-12414-A1 | GASKET, COVER EMPAQUE | 1 | 1 | |

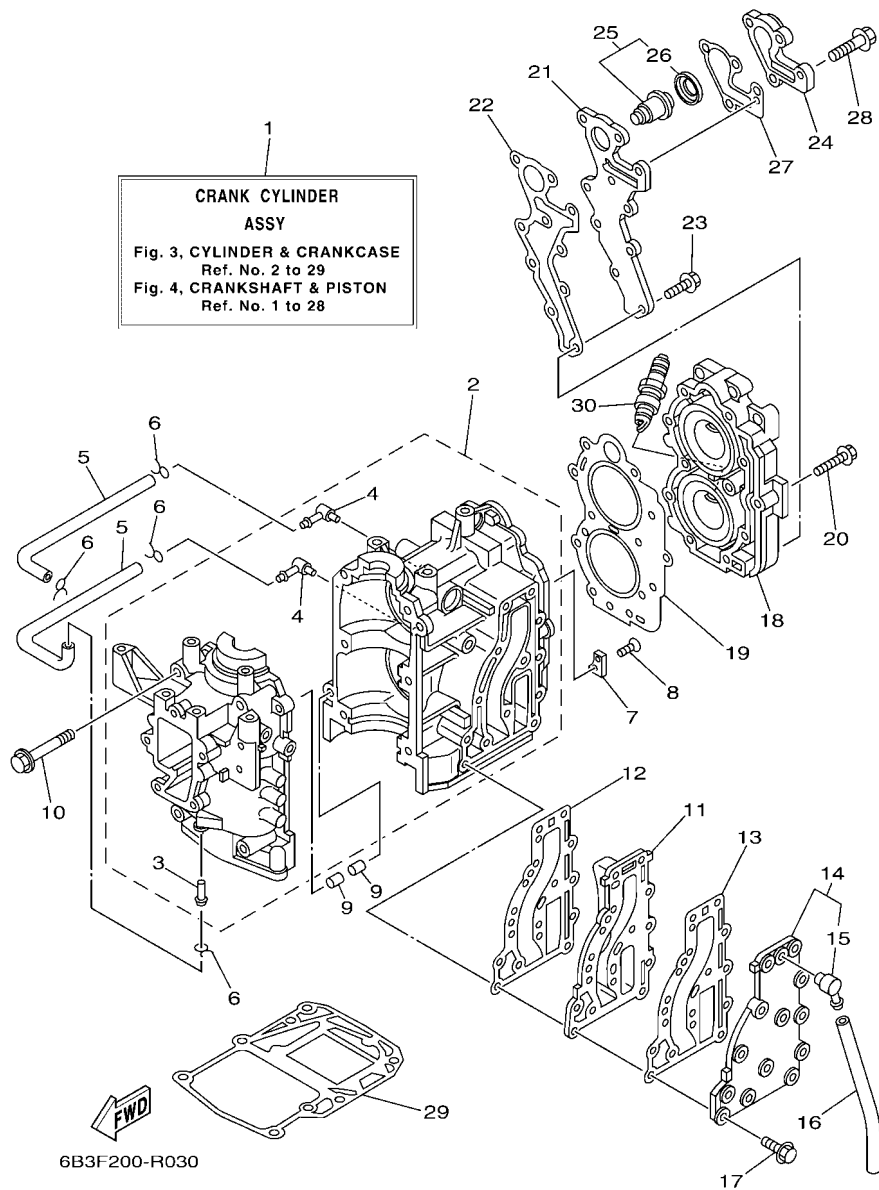


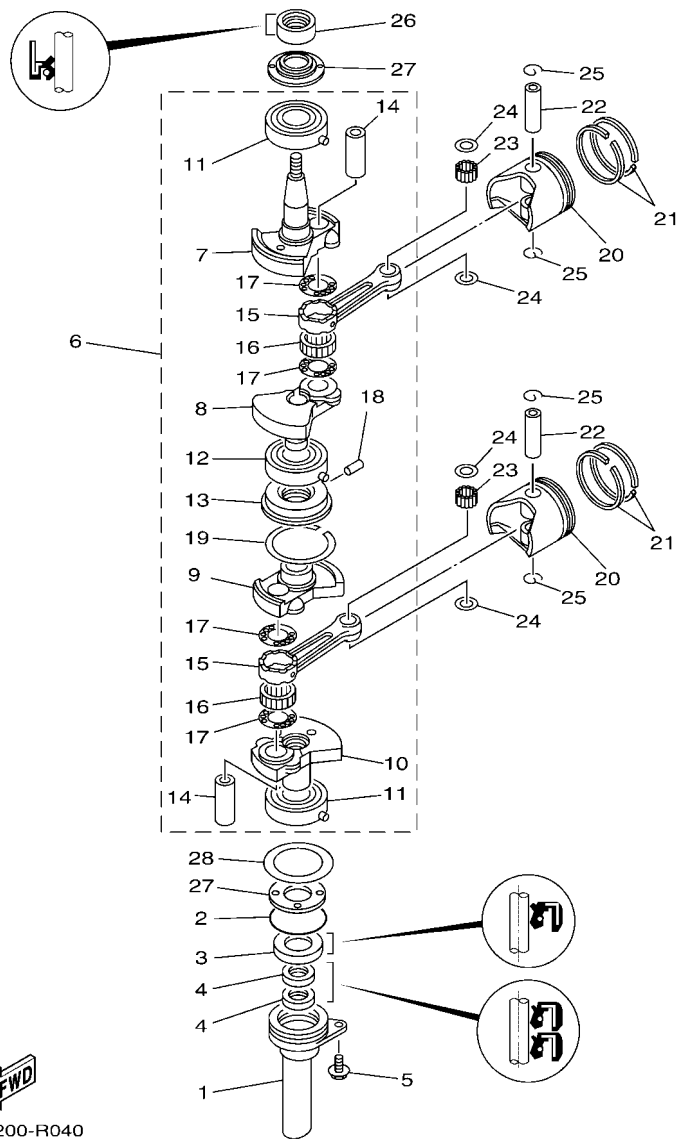
FIG. 3 CYLINDER & CRANKCASE

CYLINDRO & CARTER

| REF. NO. | PART NO. CODIGO N° | DESCRIPTION DESCRIPCION | 6B3G | 6B4G | REMARKS OBSERVACIONES |
|----------|--------------------|--|------|------|-----------------------|
| 28 | 90119-06MA3 | BOLT, WITH WASHER TORNILLO CON ARANDELA | 4 | 4 | |
| 29 | 6B4-11351-A1 | GASKET, CYLINDER JUNTA, DE CILINDRO | 1 | 1 | |
| 30 | 94702-00160 | PLUG, SPARK (NGK B8HS-10) BUJIA (NGK B8HS-10) | 2 | 2 | |
| | 94702-00247 | PLUG, SPARK (NGK BR8HS-10) BUJIA (NGK BR8HS-10) | 2 | 2 | FOR CAR FOR CAR |
| ----- | | | | | |
| ----- | | | | | |
| ----- | | | | | |
| ----- | | | | | |
| ----- | | | | | |
| ----- | | | | | |
| ----- | | | | | |
| ----- | | | | | |
| ----- | | | | | |
| ----- | | | | | |

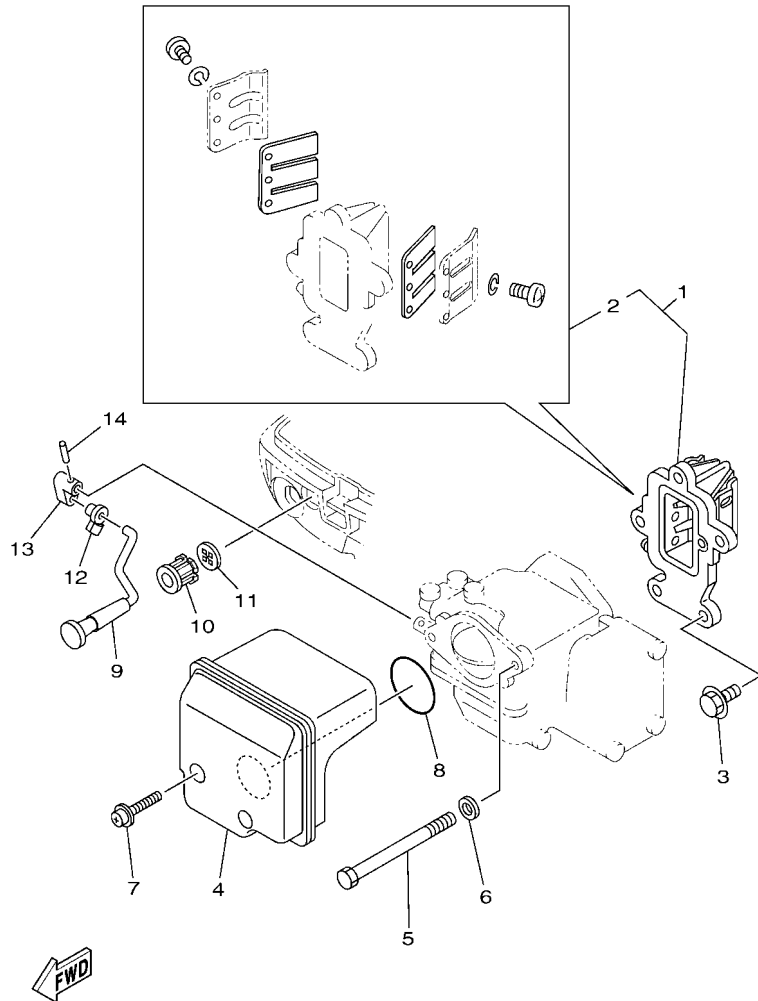
FIG. 4 CRANKSHAFT & PISTON

CIGUENAL & PISTON



6B8F200-R040

| REF. NO. | PART NO. CODIGO N° | DESCRIPTION DESCRIPCION | 6B8G | 6B4G | REMARKS OBSERVACIONES |
|----------|--------------------|---|------|------|-----------------------|
| 1 | 6B4-15396-00-CA | HOUSING, OIL SEAL CAJA DE SELLO DE ACEITE | 1 | 1 | |
| 2 | 93210-46M16 | O-RING ANILLO O | 1 | 1 | |
| 3 | 93102-25010 | OIL SEAL SELLO ACEITE | 1 | 1 | |
| 4 | 93101-13M27 | OIL SEAL SELLO ACEITE | 2 | 2 | |
| 5 | 97595-06516 | BOLT, WITH WASHER PERNO CON ARANDELA | 1 | 1 | |
| 6 | 6B4-11400-00 | CRANKSHAFT ASSY CIGUENAL COMPLETO | 1 | 1 | |
| 7 | 63V-11412-00 | .CRANK 1 .MANIVELA 1 | 1 | 1 | |
| 8 | 63V-11422-00 | .CRANK 2 .MANIVELA 2 | 1 | 1 | |
| 9 | 63V-11432-00 | .CRANK 3 .MANIVELA 3 | 1 | 1 | |
| 10 | 63V-11442-00 | .CRANK 4 .MANIVELA 4 | 1 | 1 | |
| 11 | 93306-205A1 | .BEARING .COJINETE | 2 | 2 | |
| 12 | 93390-00029 | .BEARING .COJINETE DE RODILLOS | 1 | 1 | |
| 13 | 63V-11515-02 | .SEAL, LABYRINTH 1 .SELLO LABERINTO 1 | 1 | 1 | |
| 14 | 682-11681-00 | .PIN, CRANK 1 .PASADOR MANIVELA 1 | 2 | 2 | |
| 15 | 6K4-11651-00 | .ROD, CONNECTING .BIELA | 2 | 2 | |
| 16 | 93310-620W5 | .BEARING .COJINETE DE RODILLOS | 2 | 2 | |
| 17 | 90209-20M23 | .WASHER .ARANDELA DE SEPARACION | 4 | 4 | |
| 18 | 91609-20008 | .PIN, SPRING .PASADOR DE RESORTE | 1 | 1 | |
| 19 | 93440-52009 | .CIRCLIP .SEGURO | 1 | 1 | |
| 20 | 6E7-11631-00-97 | PISTON (STD) PISTON (NORMA) | 2 | 2 | |
| | 6E7-11635-00 | PISTON (0.25MM O/S) PISTON (0.25MM O/S) | 2 | 2 | AP AP |
| | 6E7-11636-00 | PISTON (0.50MM O/S) PISTON (0.50MM O/S) | 2 | 2 | AP AP |
| 21 | 682-11610-01 | PISTON RING SET (STD) JUEGO DE ANILLOS (NORMA) | 2 | 2 | |
| | 682-11610-11 | PISTON RING SET (0.25MM O/S) JUEGO DE ANILLOS (0.25MM O/S) | 2 | 2 | AP AP |
| | 682-11610-21 | PISTON RING SET (0.50MM O/S) JUEGO DE ANILLOS (0.50MM O/S) | 2 | 2 | AP AP |
| 22 | 634-11633-00 | PIN, PISTON PASADOR, PISTON | 2 | 2 | |
| 23 | 93602-14104 | PIN, DOWEL PASADOR DE CLAVIJA | 50 | 50 | |




 6B3F200-R050

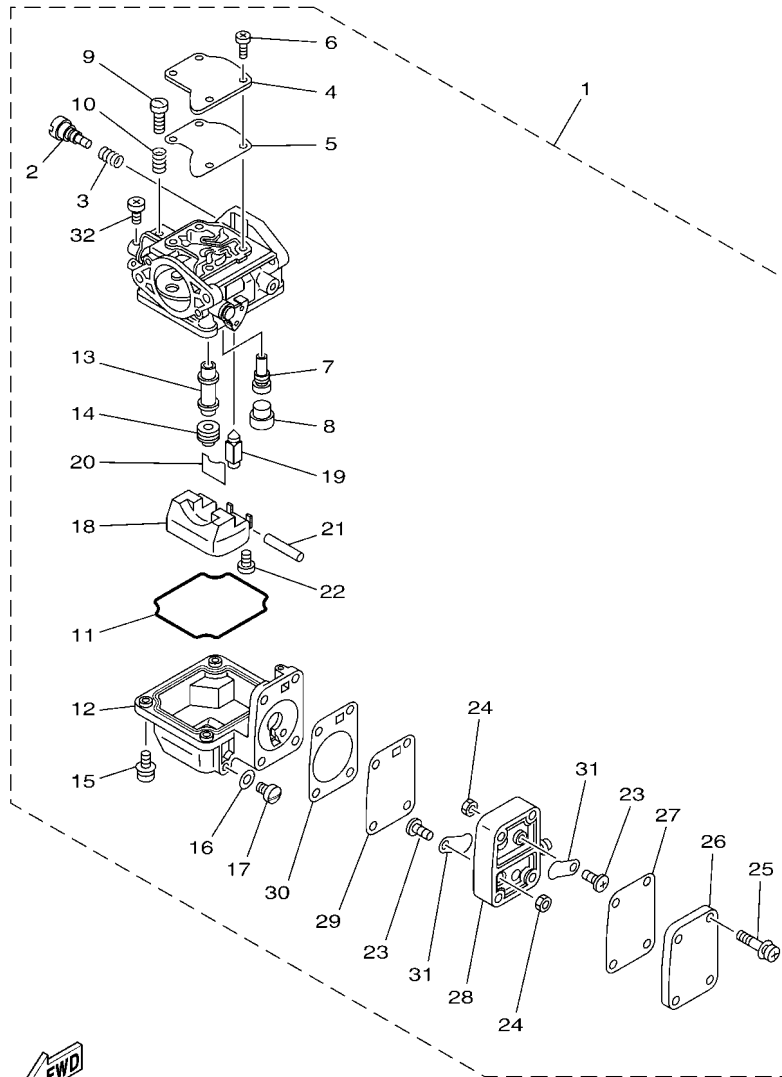
FIG. 5 INTAKE

ADMISION

| REF. NO. | PART NO. CODIGO N° | DESCRIPTION DESCRIPCION | | | REMARKS OBSERVACIONES |
|----------|--------------------|--|------|------|-----------------------|
| | | | 6B3G | 6B4G | |
| 1 | 63V-13610-10 | REED VALVE ASSY VALVULA DE LAMINAS COMPLETA | 1 | | |
| | 63W-13610-00 | REED VALVE ASSY VALVULA DE LAMINAS COMPLETA | | 1 | |
| 2 | 682-W0004-00 | .REED SET .JUEGO DE VALVULAS DE LENGUETA | 1 | 1 | |
| 3 | 97595-06520 | BOLT, WITH WASHER PERNO CON ARANDELA | 3 | 3 | |
| 4 | 6B4-14440-00 | SILENCER ASSY, INTAKE SILENCIADOR COMPL DE ADMISION | 1 | 1 | |
| 5 | 97095-06095 | BOLT PERNO | 2 | 2 | |
| 6 | 92995-06600 | WASHER ARANDELA | 2 | 2 | |
| 7 | 90159-05007 | SCREW, WITH WASHER TORNILLO CON VALONA | 2 | 2 | |
| 8 | 93210-35M86 | O-RING ANILLO O | 1 | 1 | |
| 9 | 6B4-41271-01 | KNOB, CHOKE PERILLA AHOGADOR | 1 | 1 | |
| 10 | 6B4-41273-00 | GROMMET TAPON PROTECTOR | 1 | 1 | |
| 11 | 6B4-41274-00 | GROMMET 2 TAPON 2 | 1 | 1 | |
| 12 | 6B4-41262-00 | JOINT, CHOKE LEVER CONECTOR DE AHOGADOR | 1 | 1 | |
| 13 | 6B4-41252-00 | LEVER, CHOKE 1 PALANCA AHOGADOR 1 | 1 | 1 | |
| 14 | 91690-20010 | PIN, SPRING PASADOR DE RESORTE | 1 | 1 | |

FIG. 6 CARBURETOR

CARBURADOR

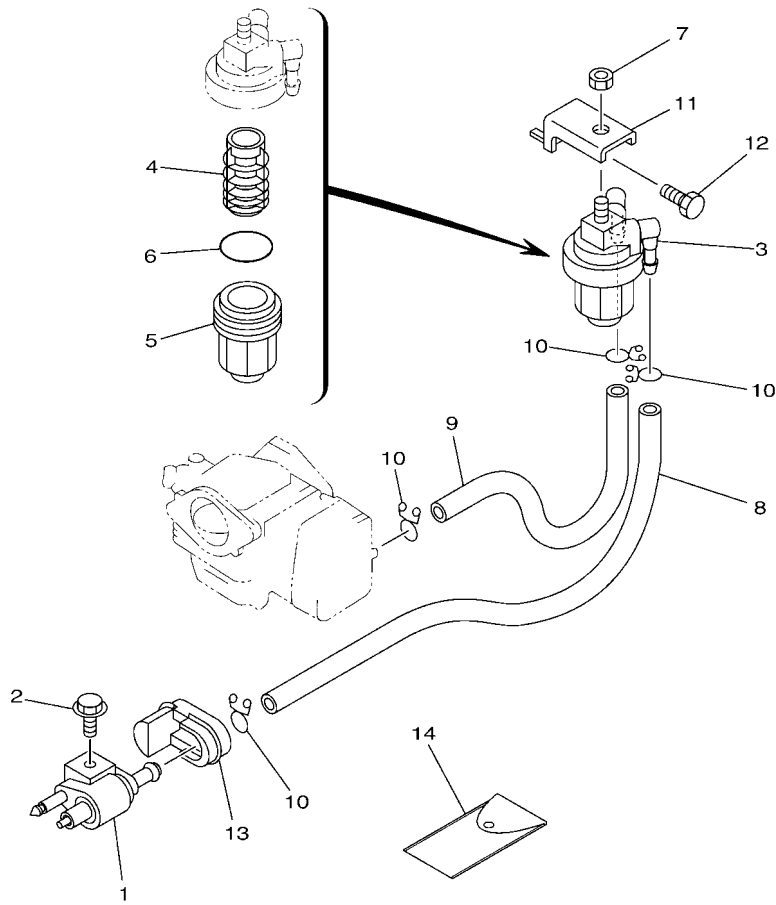


6B3A200-L050

| REF. NO. | PART NO. CODIGO N° | DESCRIPTION DESCRIPCION | 6B3G | 6B4G | REMARKS OBSERVACIONES |
|----------|--------------------|---|------|------|-----------------------|
| 1 | 6B3-14301-00 | CARBURETOR ASSY 1 CARBURADOR COMPLETO 1 | 1 | | |
| | 6B4-14301-00 | CARBURETOR ASSY 1 CARBURADOR COMPLETO 1 | | 1 | |
| 2 | 679-14923-00 | .SCREW, PILOT .TORNILLO DE AJUSTE | 1 | 1 | |
| 3 | 697-14555-00 | .SPRING .RESORTE | 1 | 1 | |
| 4 | 63V-14527-00 | .PLATE .PLACA | 1 | 1 | |
| 5 | 63V-14126-00 | .GASKET .EMPAQUE | 1 | 1 | |
| 6 | 97803-04010 | .SCREW, PAN HEAD .TORNILLO CABEZA ABULTADA | 4 | 4 | |
| 7 | 63V-14948-06 | .JET (#48) .INYECTOR (#48) | 1 | 1 | |
| 8 | 679-14966-00 | .RUBBER CAP .TAPA | 1 | 1 | |
| 9 | 63V-14523-00 | .SCREW, STOP .TORNILLO DE TOPE | 1 | 1 | |
| 10 | 90501-10326 | .SPRING, COMPRESSION .RESORTE DE COMPRESION | 1 | 1 | |
| 11 | 63V-14984-00 | .GASKET, FLOAT CHAMBER .EMPAQUE CAMARA DE BOIA | 1 | 1 | |
| 12 | 63V-14980-00 | .BODY, FLOAT CHAMBER .CUERPO CAMARA DE BOIA | 1 | 1 | |
| 13 | 6B3-14947-00 | .JET, NEEDLE .INYECTOR DE AGUJA | 1 | | |
| | 63V-14947-00 | .JET, NEEDLE .INYECTOR DE AGUJA | | 1 | |
| 14 | 676-14943-29 | .JET, MAIN (#110) .INYECTOR PRINCIPAL (#110) | 1 | | |
| | 676-14943-79 | .JET, MAIN (#108) .INYECTOR PRINCIPAL (#108) | | 1 | |
| 15 | 97980-04114 | .SCREW, WITH WASHER .TORNILLO, CON ARANDELA | 4 | 4 | |
| 16 | 65W-14398-00 | .GASKET .EMPAQUE | 1 | 1 | |
| 17 | 65W-14992-00 | .SCREW, DRAIN .TORNILLO DE DRENAJE | 1 | 1 | |
| 18 | 63V-14985-00 | .FLOAT .BOIA | 1 | 1 | |
| 19 | 6AH-14546-00 | .VALVE, NEEDLE .VALVULA DE AGUJA | 1 | 1 | |
| 20 | 663-14159-00 | .CLIP .PRESILLA | 1 | 1 | |
| 21 | 6H4-14548-00 | .PIN, FLOAT ARM .PASADOR DE BRAZO DE BOIA | 1 | 1 | |
| 22 | 98580-04008 | .SCREW, PAN HEAD .TORNILLO DE CABEZA CRUZADA | 1 | 1 | |
| 23 | 98980-03006 | .SCREW, BIND .TORNILLO DE LIGAR | 2 | 2 | |
| 24 | 95380-03600 | .NUT .TUERCA | 2 | 2 | |

FIG. 7 FUEL

COMBUSTIBLE

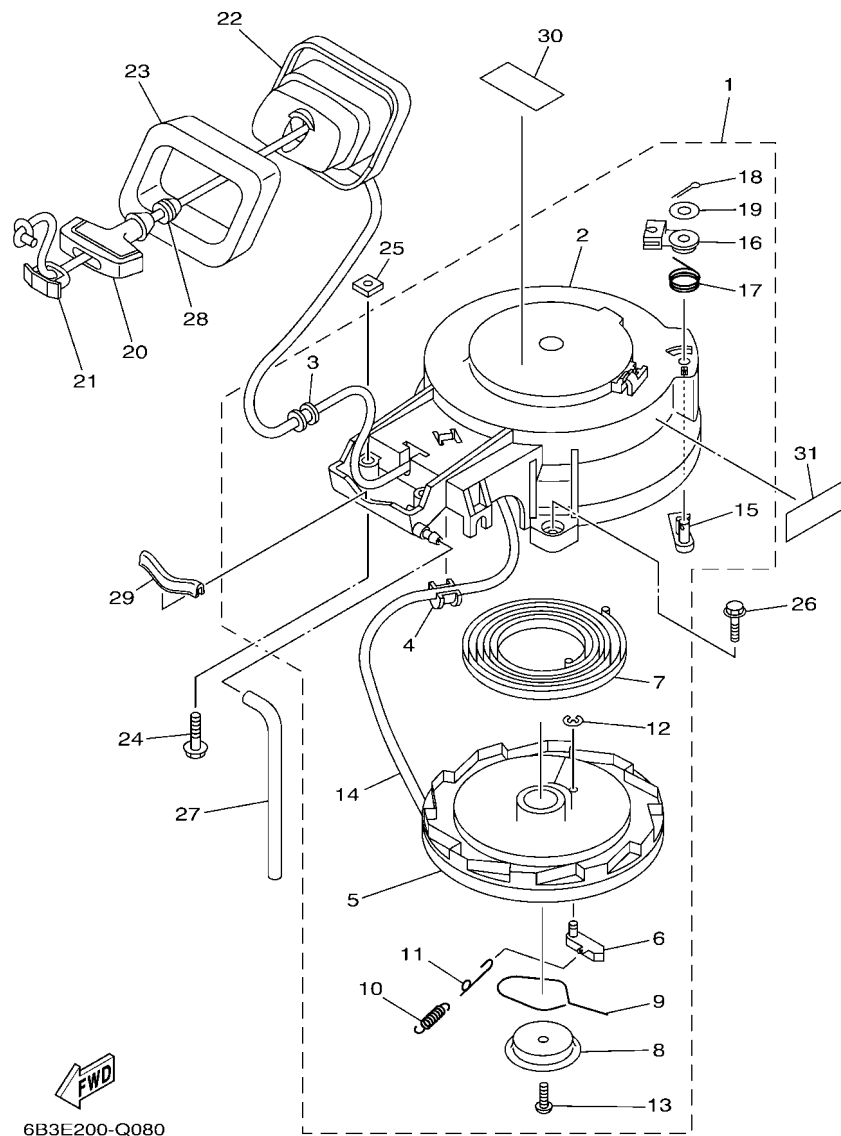


| REF. NO. | PART NO. CODIGO N° | DESCRIPTION DESCRIPCION | 6B3G | 6B4G | REMARKS OBSERVACIONES |
|----------|--------------------|--|------|------|-----------------------|
| 1 | 6G1-24304-10 | FUEL PIPE JOINT COMP. 1 CONECTOR MANGUERA COMBUST.1 | 1 | 1 | |
| 2 | 97595-06520 | BOLT, WITH WASHER PERNO CON ARANDELA | 1 | 1 | |
| 3 | 61N-24560-00 | FILTER ASSY FILTRO COMPLETO | 1 | 1 | |
| 4 | 61N-24563-00 | .ELEMENT, FILTER .ELEMENTO DEL FILTRO | 1 | 1 | |
| 5 | 61N-24521-00 | .CUP, FILTER .COPA DE FILTRO | 1 | 1 | |
| 6 | 93210-32738 | .O-RING .ANILLO O | 1 | 1 | |
| 7 | 95380-08600 | NUT TUERCA | 1 | 1 | |
| 8 | 90445-09104 | HOSE (L300) TUBO (L300) | 1 | 1 | |
| 9 | 90445-09M00 | HOSE (L180) TUBO (L180) | 1 | 1 | |
| 10 | 90467-08004 | CLIP PRESILLA | 4 | 4 | |
| 11 | 648-24566-02 | BRACKET, FILTER SOPORTE DEL FILTRO | 1 | 1 | |
| 12 | 97013-06010 | BOLT PERNO | 1 | 1 | |
| 13 | 6B4-24329-00 | SEAL SELLO | 1 | 1 | |
| 14 | 656-W2810-02 | TOOL KIT JUEGO DE HERRAMIENTAS | 1 | 1 | |


6B3F200-R070

FIG. 8 STARTER

ARRANQUE

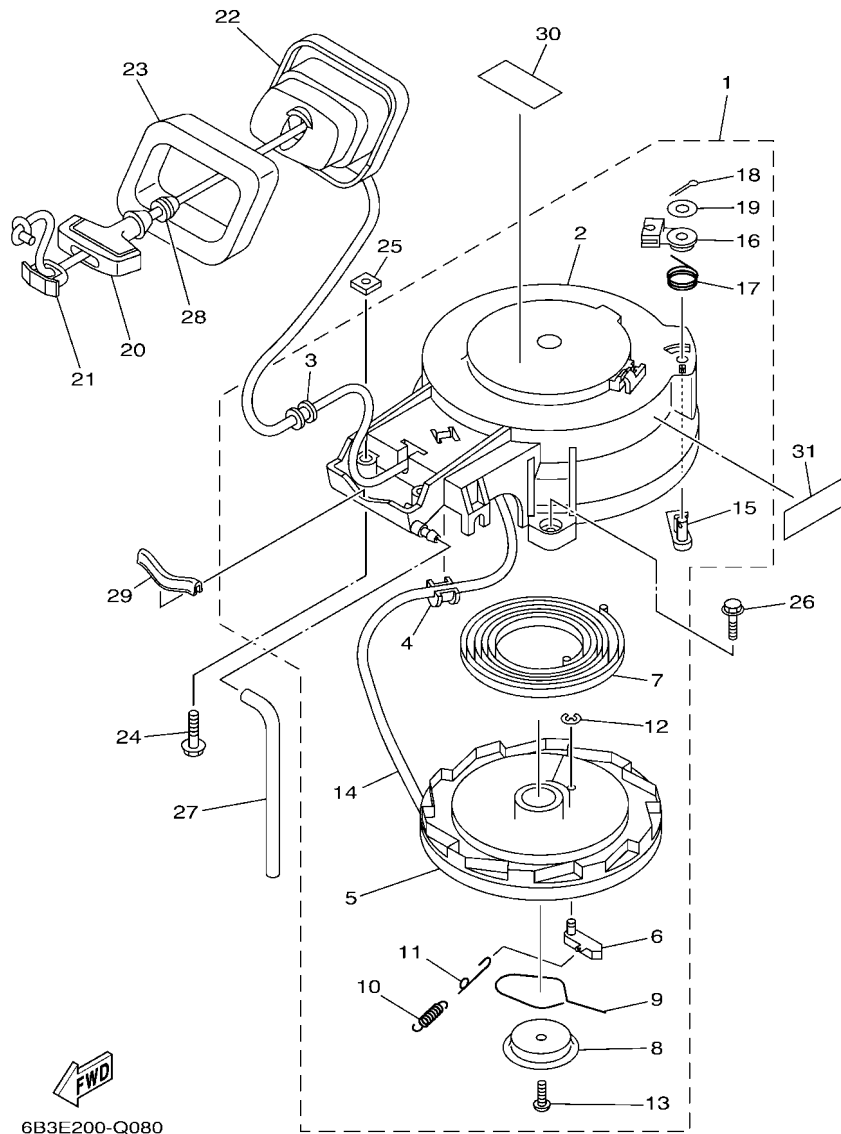


6B3E200-Q080

*1: CUT FROM 50M ROLLS, PART NO.90890-44373, CUTTING LENGTH 1.8M

*1: CORTE DE UN RODILLO DE 50M , PARTS NUMERO 90890-44373, LARGO DEL CORTE 1.8M

| REF. NO. | PART NO. CODIGO N° | DESCRIPTION DESCRIPCION | 6B3G | 6B4G | REMARKS OBSERVACIONES |
|----------|--------------------|---|------|------|-----------------------|
| 1 | 6B4-15710-10 | STARTER ASSY ARRANQUE COMPLETO | 1 | 1 | |
| 2 | 6B4-15711-10 | .CASE, STARTER .CAJA DE ARRANQUE | 1 | 1 | |
| 3 | 63V-15764-00 | .COLLAR 1 .COLLAR 1 | 1 | 1 | |
| 4 | 68T-15764-00 | .COLLAR 1 .COLLAR 1 | 1 | 1 | |
| 5 | 63V-15714-00 | .DRUM, SHEAVE .TAMBOR ROLDANA | 1 | 1 | |
| 6 | 63V-15741-00 | .PAWL, DRIVE .TRINQUETE DE TRACCION | 1 | 1 | |
| 7 | 63V-15713-00 | .SPRING, STARTER .RESORTE DE ARRANQUE | 1 | 1 | |
| 8 | 63V-15716-10 | .PLATE, DRIVE .PLACA DE TRACCION | 1 | 1 | |
| 9 | 63V-15705-10 | .SPRING, DRIVE PAWL .RESORTE | 1 | 1 | |
| 10 | 63V-15767-01 | .SPRING .RESORTE | 1 | 1 | |
| 11 | 68T-15784-00 | .SPRING, RETURN .RESORTE DE RETORNO | 1 | 1 | |
| 12 | 63V-15744-00 | .CIRCLIP .SEGURO | 1 | 1 | |
| 13 | 68T-15793-00 | .SCREW .TORNILLO | 1 | 1 | |
| 14 | * | .WIRE, STARTER (L:1800MM) .CUERDA DE ARRANQUE (L:1800MM) | 1 | 1 | *1 *1 |
| 15 | 63V-15794-00 | .STOPPER .TOPE | 1 | 1 | |
| 16 | 63V-15748-00 | .PLUNGER, STARTER STOP .EMBOLO SEGURO DE ARRANQUE | 1 | 1 | |
| 17 | 63V-15734-00 | .SPRING, RETURN .RESORTE DE RETORNO | 1 | 1 | |
| 18 | 91490-16018 | .PIN, COTTER .CHAVETA | 1 | 1 | |
| 19 | 63V-15726-00 | .WASHER, FLAT .ARANDELA PLANA | 1 | 1 | |
| 20 | 6G1-15755-00 | HANDLE, STARTER MANIJA DE ARRANQUE | 1 | 1 | |
| 21 | 6G1-15779-00 | COVER CUBIERTA | 1 | 1 | |
| 22 | 6B4-15758-A0 | GUIDE, ROPE GUIA DE CUERDA | 1 | 1 | |
| 23 | 6B4-15762-00 | SEAL, RUBBER 2 SELLO DE GOMA 2 | 1 | 1 | |
| 24 | 97595-06535 | BOLT, WITH WASHER PERNO CON ARANDELA | 2 | 2 | |
| 25 | 90173-06009 | NUT, SQUARE TUERCA CUADRADA | 2 | 2 | |
| 26 | 90119-06M82 | BOLT, WITH WASHER TORNILLO CON ARANDELA | 3 | 3 | |
| 27 | 6J8-24311-00 | PIPE, FUEL 1 TUBO DE COMBUSTIBLE 1 | 1 | 1 | |



6B3E200-Q080

*1: CUT FROM 50M ROLLS, PART NO.90890-44373, CUTTING LENGTH 1.8M

*1:CORTE DE UN RODILLO DE 50M , PARTS NUMERO 90890-44373, LARGO DEL CORTE 1.8M

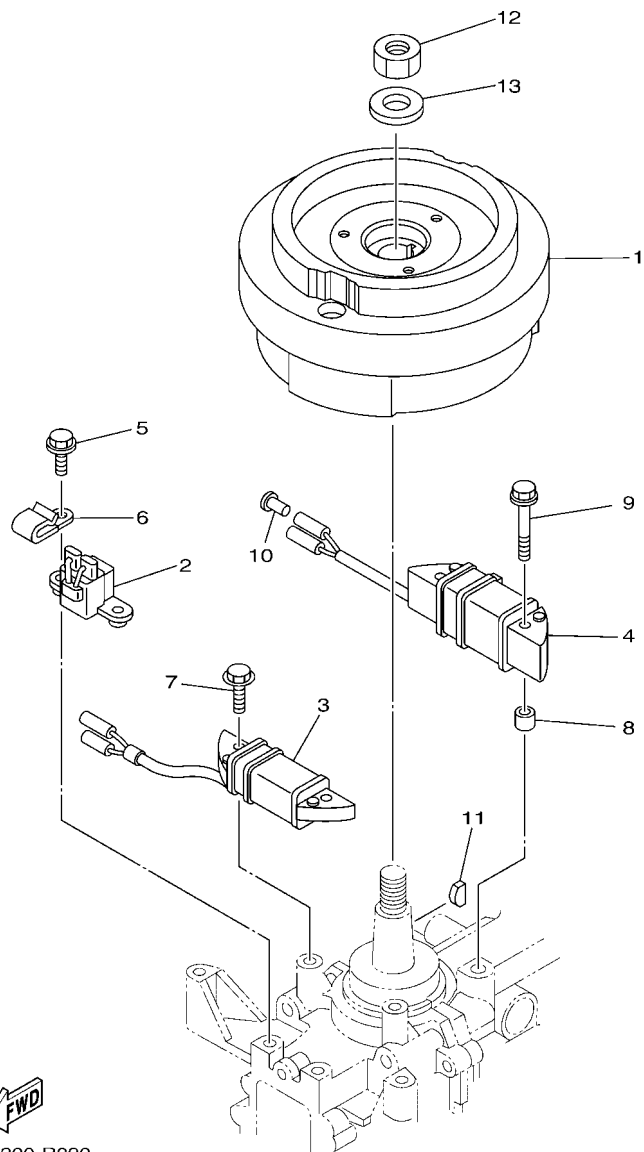
FIG. 8 STARTER

ARRANQUE

| REF. NO. | PART NO. CODIGO N° | DESCRIPTION DESCRIPCION | 6B3G | 6B4G | REMARKS OBSERVACIONES |
|----------|--------------------|--|------|------|-----------------------|
| 28 | 6A0-15789-00 | DAMPER AMORTIGUADOR | 1 | 1 | |
| 29 | 6B4-15663-00 | SEAL SELLO | 1 | 1 | |
| 30 | 6EE-81995-40 | LABEL, WARNING ETIQUETA DE PRECAUCION | 1 | 1 | |
| 31 | 6EE-81994-40 | LABEL, SAFETY ETIQUETA DE SEGURIDAD | 1 | 1 | |
| ----- | | | | | |
| ----- | | | | | |
| ----- | | | | | |
| ----- | | | | | |
| ----- | | | | | |
| ----- | | | | | |
| ----- | | | | | |
| ----- | | | | | |
| ----- | | | | | |
| ----- | | | | | |

FIG. 9 GENERATOR

GENERADOR

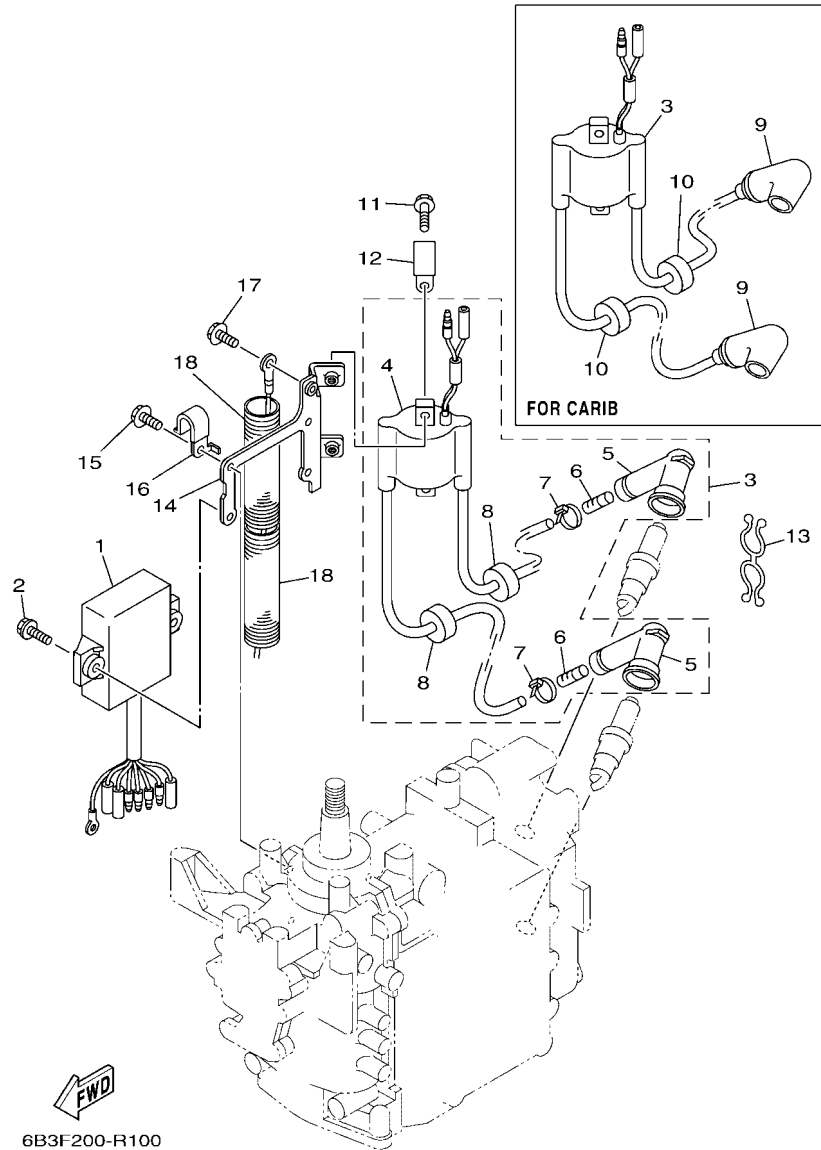


6B3F200-R090

| REF. NO. | PART NO. CODIGO N° | DESCRIPTION DESCRIPCION | 6B3G | 6B4G | REMARKS OBSERVACIONES |
|----------|--------------------|---|------|------|----------------------------------|
| 1 | 6B4-85550-01 | ROTOR ASSY ROTOR COMPLETO | 1 | 1 | UR FOR STD UR FOR STD |
| | 6B4-85550-10 | ROTOR ASSY ROTOR COMPLETO | 1 | 1 | UR WITH L/COIL UR WITH L/COIL |
| 2 | 6B4-85580-00 | COIL, PULSER BOBINA DE PULSACION | 1 | 1 | |
| 3 | 6B4-85520-00 | COIL, CHARGE BOBINA DE CARGA | 1 | 1 | |
| 4 | 63V-85533-00 | COIL, LIGHTING BOBINA DE LUZ | 1 | 1 | FOR AFR,MEX FOR AFR,MEX |
| 5 | 90119-06023 | BOLT, WITH WASHER TORNILLO CON ARANDELA | 2 | 2 | |
| 6 | 90465-06M90 | CLAMP BRIDA | 1 | 1 | |
| 7 | 97595-06520 | BOLT, WITH WASHER PERNO CON ARANDELA | 2 | 2 | |
| 8 | 90387-06M24 | COLLAR ESPACIADOR | 2 | 2 | FOR AFR,MEX FOR AFR,MEX |
| 9 | 90119-06M40 | BOLT, WITH WASHER TORNILLO CON ARANDELA | 2 | 2 | FOR AFR,MEX FOR AFR,MEX |
| 10 | 703-82119-00 | COVER, LEAD WIRE CUBIERTA DE CABLE CONDUCTOR | 2 | 2 | FOR AFR,MEX FOR AFR,MEX |
| 11 | 90280-05013 | KEY, WOODRUFF CUNA WOODRUFF | 1 | 1 | |
| 12 | 90170-12066 | NUT TUERCA | 1 | 1 | |
| 13 | 90201-12472 | WASHER, PLATE ARANDELA PLANA | 1 | 1 | |

FIG. 10 ELECTRICAL

ELECTRICO



6B3F200-R100

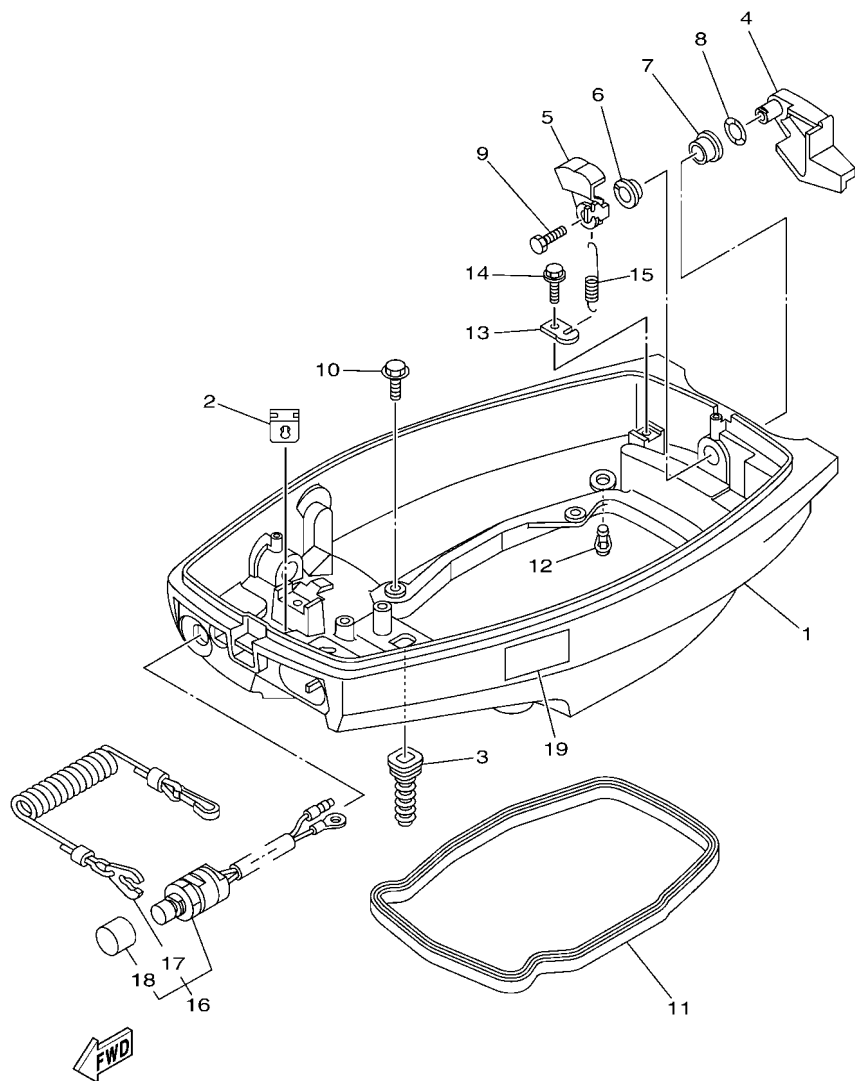


| REF. NO. | PART NO. CODIGO N° | DESCRIPTION DESCRIPCION | 6B3G | 6B4G | REMARKS OBSERVACIONES |
|----------|--------------------|---|------|------|---|
| 1 | 6B4-85540-04 | C.D.I. UNIT ASSY UNIDAD C.D.I. COMPLETA | 1 | 1 | |
| 2 | 90119-06M83 | BOLT, WITH WASHER TORNILLO CON ARANDELA | 2 | 2 | |
| 3 | 6B4-85530-00 | IGNITION COIL ASSY BOBINA DE IGNICION COMPLETO | 1 | 1 | |
| | 6B4-85570-00 | IGNITION COIL ASSY BOBINA DE IGNICION COMPLETO | 1 | 1 | FOR CAR |
| 4 | 6B4-85570-00 | IGNITION COIL ASSY BOBINA DE IGNICION COMPLETO | 1 | 1 | FOR CAR FOR 6B4-85530-00 FOR 6B4-85530-00 |
| 5 | 62E-82371-11 | .CAP, PLUG .TAPON DE BUJIA COMPLT | 2 | 2 | FOR 6B4-85530-00 FOR 6B4-85530-00 |
| 6 | 62E-8231X-00 | .TERMINAL 1 .TERMINAL 1 | 2 | 2 | FOR 6B4-85530-00 FOR 6B4-85530-00 |
| 7 | 90465-11M10 | .CLAMP .BRIDA | 2 | 2 | FOR 6B4-85530-00 FOR 6B4-85530-00 |
| 8 | 90480-25161 | .GROMMET .TAPON | 2 | 2 | FOR 6B4-85530-00 FOR 6B4-85530-00 |
| 9 | 6E3-82370-21 | PLUG CAP ASSY TAPON DE BUJIA COMPLT | 2 | 2 | FOR CAR FOR CAR |
| 10 | 90480-25161 | GROMMET TAPON | 2 | 2 | FOR CAR FOR CAR |
| 11 | 97595-06516 | BOLT, WITH WASHER TORNILLO CON ARANDELA | 2 | 2 | |
| 12 | 90465-06M90 | CLAMP BRIDA | 1 | 1 | |
| 13 | 90464-08M02 | CLAMP BRIDA | 1 | 1 | |
| 14 | 6B4-82316-00 | BRACKET, IGNITION COIL SOPORTE BOBINA ENCENDIDO | 1 | 1 | |
| 15 | 97595-06514 | BOLT, WITH WASHER PERNO CON ARANDELA | 2 | 2 | |
| 16 | 90465-08M99 | CLAMP BRIDA | 1 | 1 | |
| 17 | 97595-06510 | BOLT, WITH WASHER PERNO CON ARANDELA | 1 | 1 | |
| 18 | 6N7-83557-00 | TUBE (I.DIA:22MM) ENCHUFE DE ACEITE (I.DIA:22MM) | 2 | 2 | |

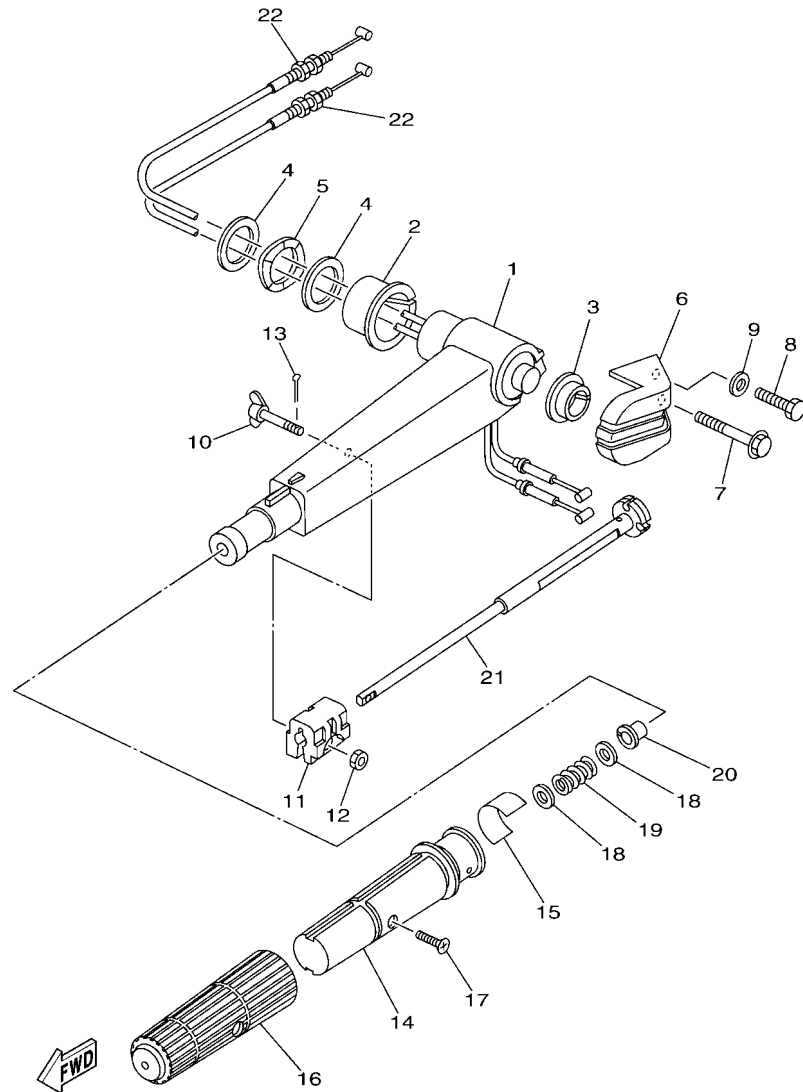
FIG. 11 BOTTOM COWLING

CUBIERTA INFERIOR

| REF. NO. | PART NO. CODIGO N° | DESCRIPTION DESCRIPCION | 6B3G | 6B4G | REMARKS OBSERVACIONES |
|----------|--------------------|--|------|------|-----------------------|
| 1 | 6B4-42711-00-8D | COWLING, BOTTOM 1 CUBIERTA INFERIOR 1 | 1 | 1 | |
| 2 | 61N-26326-00 | GROMMET TAPON PROTECTOR | 1 | 1 | |
| 3 | 6B4-42727-00 | GROMMET TAPON | 1 | 1 | |
| 4 | 6B4-42815-00-8D | LEVER, CLAMP 1 PALANCA ABRAZADERA 1 | 1 | 1 | |
| 5 | 6B4-42816-00 | LEVER, CLAMP 2 PALANCA ABRAZADERA 2 | 1 | 1 | |
| 6 | 90386-12M45 | BUSH BUJE | 1 | 1 | |
| 7 | 90386-12MA2 | BUSH BUJE | 1 | 1 | |
| 8 | 90206-12052 | WASHER, WAVE ARANDELA ONDULADA | 1 | 1 | |
| 9 | 97095-06014 | BOLT PERNO | 1 | 1 | |
| 10 | 97595-06516 | BOLT, WITH WASHER PERNO CON ARANDELA | 4 | 4 | |
| 11 | 6B4-42716-00 | RUBBER SEAL 1 SELLO DE GOMA 1 | 1 | 1 | |
| 12 | 6BL-44391-00 | NIPPLE, HOSE NIPLE MANGUERA | 1 | 1 | |
| 13 | 66T-43144-00 | HOOK, SPRING GANCHO | 1 | 1 | |
| 14 | 90109-06M80 | BOLT PERNO | 1 | 1 | |
| 15 | 90506-18009 | SPRING, TENSION RESORTE DE TENSION | 1 | 1 | |
| 16 | 689-82575-04 | ENGINE STOP SWITCH ASSY INTERRUPTOR DE PARADA COMPL | 1 | 1 | |
| 17 | 682-82556-00 | .LANYARD, STOP SWITCH .CORDON DE INTERRUPTOR PARADA | 1 | 1 | |
| 18 | 689-8257Y-00 | .CAP .TAPA | 1 | 1 | |
| 19 | 6EE-42794-40 | LABEL, WARNING (GENERAL) ETIQUETA DE PRECAUCION | 1 | 1 | |



6B8F200-R120



6B3F200-R120

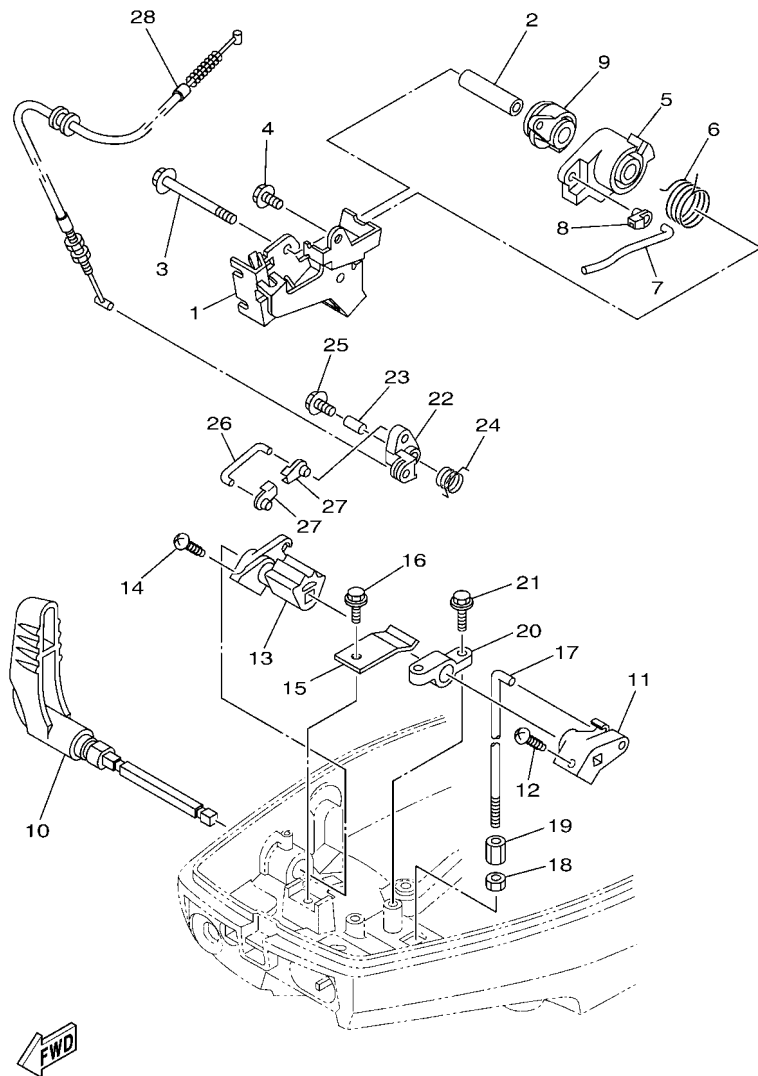
FIG. 12 STEERING

DIRECCION

| REF. NO. | PART NO. CODIGO N° | DESCRIPTION DESCRIPCION | 6B3G | 6B4G | REMARKS OBSERVACIONES |
|----------|--------------------|---|------|------|-----------------------|
| 1 | 6B4-42111-00-8D | HANDLE, STEERING MANIJA DE DIRECCION | 1 | 1 | |
| 2 | 90381-35001 | BUSH, SOLID BUJE SOLIDO | 1 | 1 | |
| 3 | 90381-20001 | BUSH, SOLID BUJE SOLIDO | 1 | 1 | |
| 4 | 90201-28013 | WASHER, PLATE ARANDELA PLANA | 2 | 2 | |
| 5 | 90206-28001 | WASHER, WAVE ARANDELA ONDULADA | 1 | 1 | |
| 6 | 6B4-42131-00-4D | COVER, HANDLE STEERING CUBIERTA MANIJA DIRRECCION | 1 | 1 | |
| 7 | 97595-08555 | BOLT, WITH WASHER PERNO CON ARANDELA | 1 | 1 | |
| 8 | 97095-08030 | BOLT PERNO | 1 | 1 | |
| 9 | 92995-08600 | WASHER ARANDELA | 1 | 1 | |
| 10 | 6B4-42125-00 | BOLT, FRICTION ADJUSTING TORNILLO FRICCION ADJUSTA | 1 | 1 | |
| 11 | 6B4-42126-00 | FRICTION, STEERING HANDLE GRIP FRICCION DE MANGO DIRECCION | 1 | 1 | |
| 12 | 95380-06600 | NUT, HEXAGON TUERCA | 1 | 1 | |
| 13 | 91490-16010 | PIN, COTTER CHAVETA | 1 | 1 | |
| 14 | 6B4-42119-00 | GRIP, STEERING HANDLE MANGO, MANIJA DE DIRRECCION | 1 | 1 | |
| 15 | 6F5-42137-20 | INDICATOR, THROTTLE INDICADOR ACELERADOR | 1 | 1 | |
| 16 | 6G1-42177-00 | RUBBER, HANDLE HULE DE MANIJA | 1 | 1 | |
| 17 | 90152-05011 | SCREW, COUNTERSUNK TORNILLO EMBUTIDO | 1 | 1 | |
| 18 | 90201-10M02 | WASHER, PLATE ARANDELA PLANA | 2 | 2 | |
| 19 | 90501-23215 | SPRING, COMPRESSION RESORTE DE COMPRESION | 1 | 1 | |
| 20 | 90386-08032 | BUSH BUJE | 1 | 1 | |
| 21 | 6B4-42138-00 | LEVER, THROTTLE PLANCA DE ACELERACION | 1 | 1 | |
| 22 | 6B4-26301-00 | THROTTLE CABLE ASSY CABLE DE ACELERADOR COMPLETO | 2 | 2 | |

FIG. 13 CONTROL

CONTROL



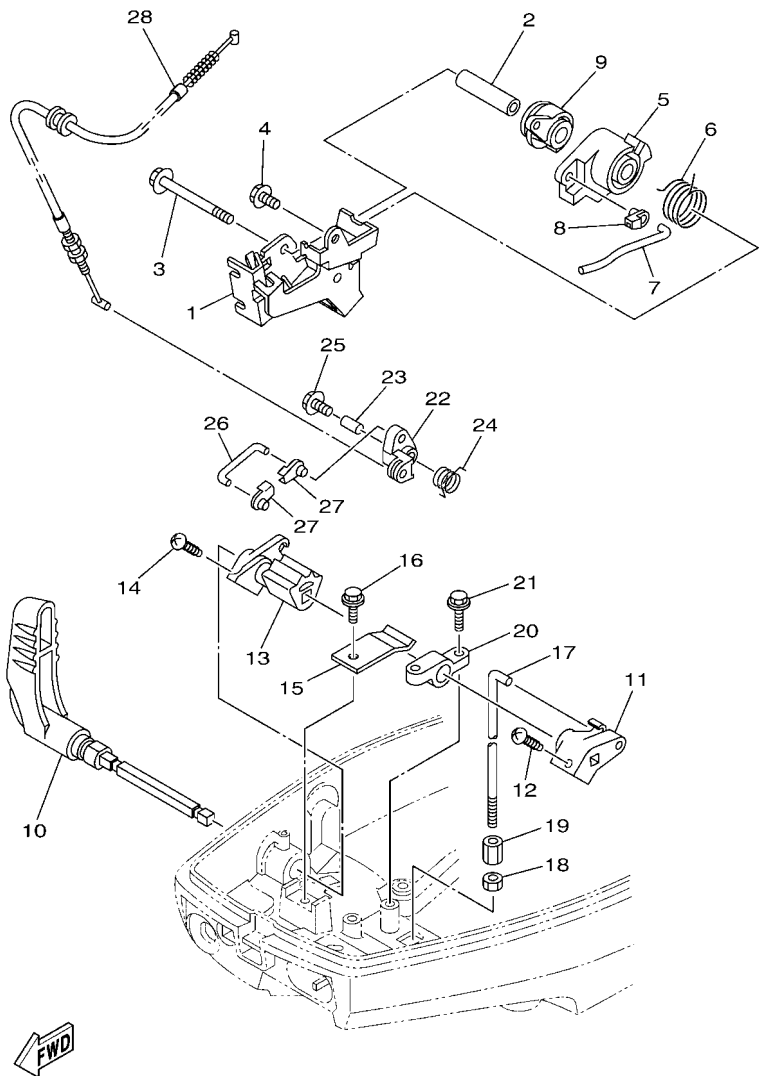

6B3F200-R130

| REF. NO. | PART NO. CODIGO N° | DESCRIPTION DESCRIPCION | 6B3G | 6B4G | REMARKS OBSERVACIONES |
|----------|--------------------|--|------|------|-----------------------|
| 1 | 63V-14497-02 | STAY, THROTTLE WIRE SOPORTE VALVULA DE OBTURACION | 1 | 1 | |
| 2 | 90387-06M50 | COLLAR ESPACIADOR | 1 | 1 | |
| 3 | 95895-06065 | BOLT, FLANGE TORNILLO DE REBORDE | 1 | 1 | |
| 4 | 97595-06512 | BOLT, WITH WASHER PERNO CON ARANDELA | 1 | 1 | |
| 5 | 6B4-41283-00 | LEVER, FREE ACCEL. PALANCA | 1 | 1 | |
| 6 | 90508-20M38 | SPRING, TORSION RESORTE DE TORSION | 1 | 1 | |
| 7 | 63V-41211-00 | LINK, ACCEL. ESLABON, ACELERADOR | 1 | 1 | |
| 8 | 6J8-41262-00 | JOINT, CHOKE LEVER CONECTOR DE AHOGADOR | 1 | 1 | |
| 9 | 6B4-41638-00 | PULLEY POLEA | 1 | 1 | |
| 10 | 6B4-44111-01-8D | HANDLE, GEAR SHIFT MANIJA DE CAMBIO DE MARCHAS | 1 | 1 | |
| 11 | 6B4-44121-00 | LEVER, SHIFT ROD PALANCA VARILLA CAMBIOS | 1 | 1 | |
| 12 | 97780-40520 | SCREW, TAPPING TORNILLO DE CABEZA DE CONO ACH | 1 | 1 | |
| 13 | 6B4-44125-00 | LEVER, SHIFT ROD PALANCA VARILLA CAMBIOS | 1 | 1 | |
| 14 | 97780-40520 | SCREW, TAPPING TORNILLO DE CABEZA DE CONO ACH | 1 | 1 | |
| 15 | 6B4-44116-00 | SPRING RESORTE | 1 | 1 | |
| 16 | 90109-06M80 | BOLT PERNO | 1 | 1 | |
| 17 | 6B4-44143-00 | ROD, SHIFT 1 VARILLA DE CAMBIO 1 | 1 | 1 | |
| 18 | 95380-06700 | NUT TUERCA | 1 | 1 | |
| 19 | 61N-44146-00 | CONNECTOR, SHIFT ROD 2 CONECTOR VARILLA DE CAMBIO 2 | 1 | 1 | |
| 20 | 6B4-41662-00 | BRACKET 2 SOPORTE 2 | 1 | 1 | |
| 21 | 90109-06M81 | BOLT PERNO | 2 | 2 | |
| 22 | 6B4-15746-00 | ARM BRAZO | 1 | 1 | |
| 23 | 90387-06M06 | COLLAR ESPACIADOR | 1 | 1 | |
| 24 | 90508-08M39 | SPRING, TORSION RESORTE DE TORSION | 1 | 1 | |
| 25 | 97595-06520 | BOLT, WITH WASHER PERNO CON ARANDELA | 1 | 1 | |
| 26 | 6L2-15747-00 | LINK ESLABON | 1 | 1 | |
| 27 | 6J8-41262-00 | JOINT, CHOKE LEVER CONECTOR DE AHOGADOR | 2 | 2 | |

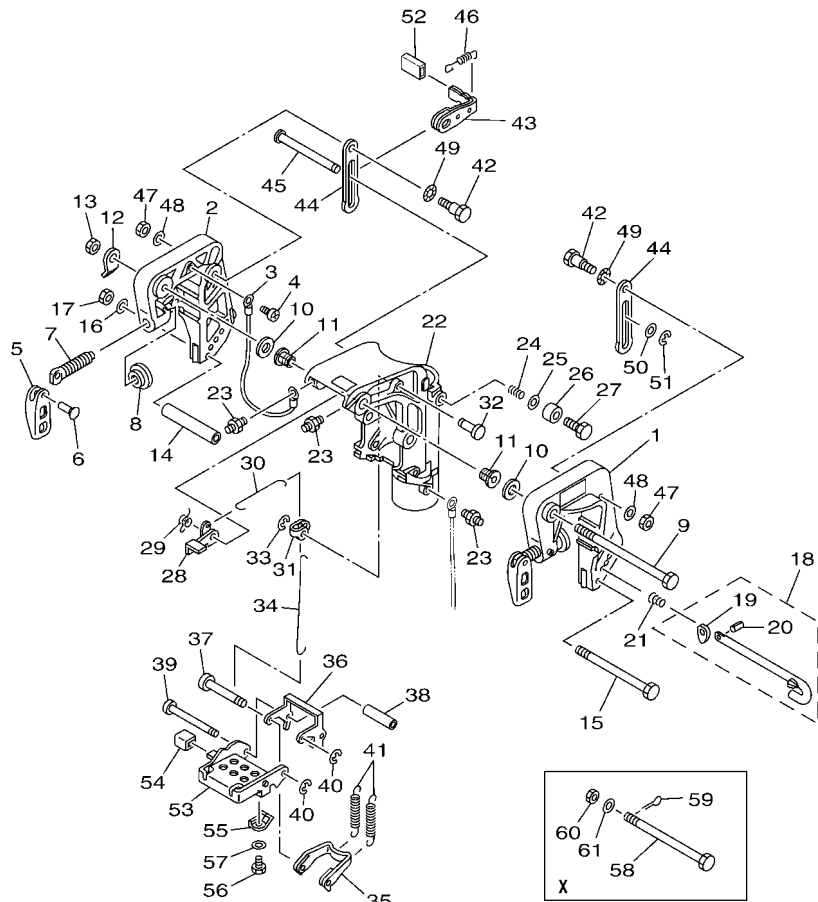
FIG. 13 CONTROL

CONTROL

| REF. NO. | PART NO. CODIGO N° | DESCRIPTION DESCRIPCION | 6B3G | 6B4G | REMARKS OBSERVACIONES |
|----------|--------------------|--|------|------|-----------------------|
| 28 | 6B4-15770-00 | CABLE COMP., STARTER STOP CABLECOMPL DE SEGURO ARRANQUE | 1 | 1 | |



6B3F200-R130

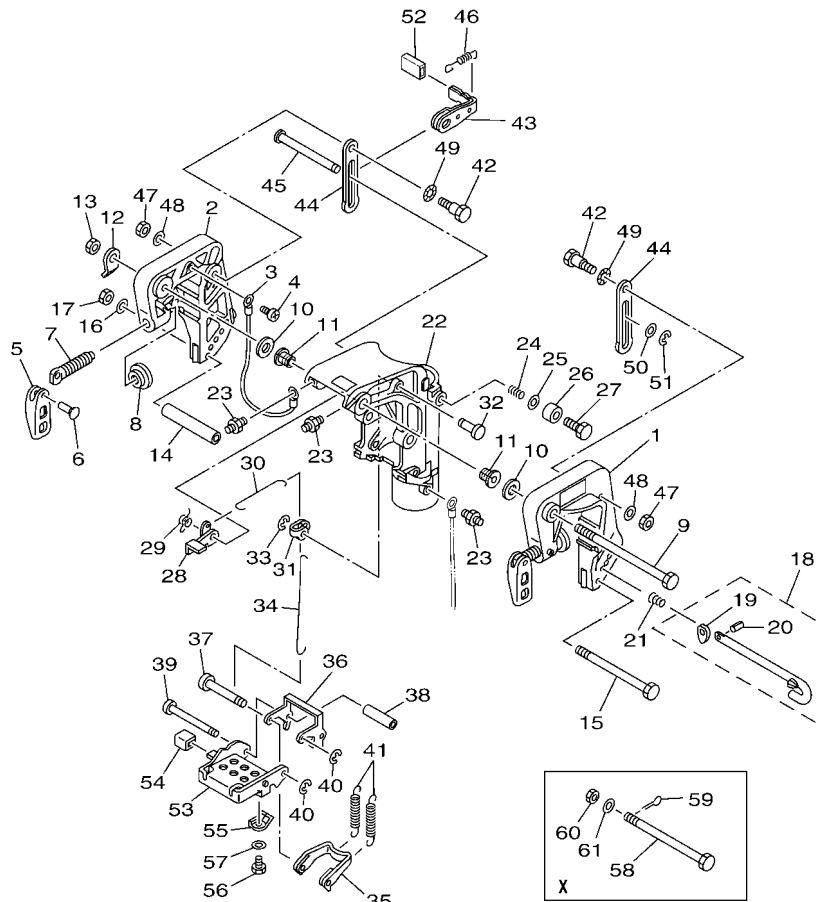


6B3120031301

FIG. 14 BRACKET 1

SOPORTE 1

| REF. NO. | PART NO. CODIGO N° | DESCRIPTION DESCRIPCION | 6B3G | 6B4G | REMARKS OBSERVACIONES |
|----------|--------------------|---|------|------|--|
| 1 | 682-43111-05-8D | BRACKET, CLAMP 1 SOPORTE DE LA ABRAZADERA 1 | 1 | 1 | |
| 2 | 682-43112-05-8D | BRACKET, CLAMP 2 SOPORTE DE LA ABRAZADERA 2 | 1 | 1 | |
| 3 | 6E5-82148-00 | WIRE, LEAD 4 CABLE CONDUCTOR 4 | 1 | 1 | |
| 4 | 97885-06008 | SCREW, PAN HEAD TORNILLO A MUESCA | 1 | 1 | |
| 5 | 663-43118-01-8D | HANDLE, TRANSOM CLAMP MANIJA DE LA ABRAZADERA DEL ES | 2 | 2 | |
| 6 | 90243-04007 | PIN PASADOR | 2 | 2 | |
| 7 | 6E7-43116-00 | SCREW, TRANSOM CLAMP TORNILLO DE ABRAZADERA | 2 | 2 | |
| 8 | 648-43114-01 | PAD, TRANSOM CLAMP ARANDELA DE ABRAZADERA | 2 | 2 | |
| 9 | 90101-12013 | BOLT TORNILLO | 1 | 1 | |
| 10 | 90201-12018 | WASHER, PLATE ARANDELA PLANA | 2 | 2 | |
| 11 | 90381-12001 | BUSH, SOLID BUJE SOLIDO | 2 | 2 | |
| 12 | 6B4-43113-00 | PLATE, CLAMP BRACKET PLACA ABRAZADERA SOPORTE | 1 | 1 | |
| 13 | 95780-12300 | NUT, FLANGE TUERCA | 1 | 1 | |
| 14 | 90387-06M13 | COLLAR ESPACIADOR | 1 | 1 | |
| 15 | 90101-06M29 | BOLT TORNILLO | 1 | 1 | |
| 16 | 92995-06600 | WASHER ARANDELA | 1 | 1 | |
| 17 | 95380-06700 | NUT TUERCA | 1 | 1 | |
| 18 | 689-43160-00 | TILT ROD ASSY VARILLA DE BASCULACION COMPL. | 1 | 1 | S(17.4"),L(22.4") S(17.4"),L(22.4") |
| 19 | 689-43165-00 | .PLATE, TILT LOCK .PLACA DE TOPE, VARILLA SEGURID | 1 | 1 | |
| 20 | 91690-30008 | .PIN, SPRING .PASADOR DE RESORTE | 1 | 1 | |
| 21 | 90502-10M07 | SPRING, CONICAL RESORTE CONICO | 1 | 1 | S(17.4"),L(22.4") S(17.4"),L(22.4") |
| 22 | 682-43311-07-8D | BRACKET, SWIVEL 1 SOPORTE GIRATORIO 1 | 1 | 1 | |
| 23 | 93700-06M03 | NIPPLE, GREASE BOQUILLA DE ENGRASAR | 3 | 3 | |
| 24 | 90501-18M00 | SPRING, COMPRESSION RESORTE DE COMPRESION | 1 | 1 | |
| 25 | 92990-08600 | WASHER, PLATE ARANDELA PLANA | 1 | 1 | |
| 26 | 676-43373-00 | SEAL, DAMPER SELLO DE GOMA | 1 | 1 | |
| 27 | 97075-08025 | BOLT PERNO | 1 | 1 | |

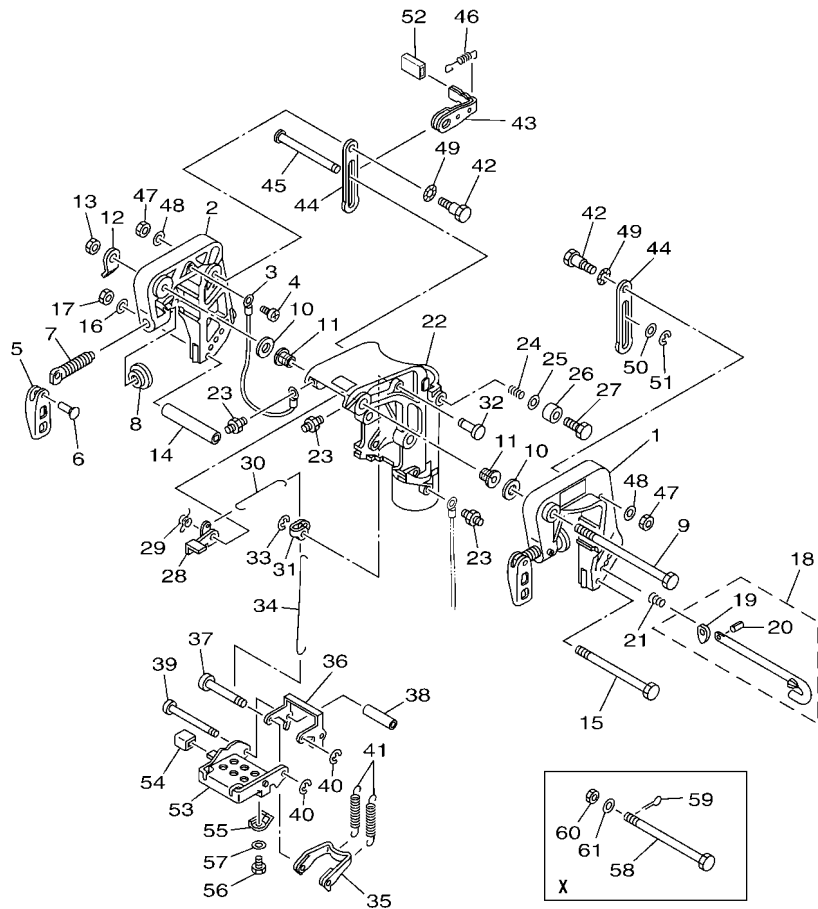


6B3120031301

FIG. 14 BRACKET 1

SOPORTE 1

| REF. NO. | PART NO. CODIGO N° | DESCRIPTION DESCRIPCION | 6B3G | 6B4G | REMARKS OBSERVACIONES |
|----------|--------------------|--|------|------|---|
| 28 | 6B4-43631-00 | LEVER, TILT PALANCA DE INCLINACION | 1 | 1 | |
| 29 | 90508-14018 | SPRING, TORSION RESORTE DE TORSION | 1 | 1 | |
| 30 | 682-43616-00 | ROD, TILT LOCK VARILLA SEGURO DE INCLINACION | 1 | 1 | |
| 31 | 682-43641-01 | LEVER, TILT PALANCA DE INCLINACION | 1 | 1 | |
| 32 | 90249-06M23 | PIN PASADOR | 1 | 1 | |
| 33 | 99080-05600 | CIRCLIP PRESILLA REDONDA | 1 | 1 | |
| 34 | 682-43617-00 | ROD, TILT LOCK VARILLA SEGURO DE INCLINACION | 1 | 1 | |
| 35 | 682-43614-01 | PLATE, TILT LOCK PLACA DE SEGURO DE INCLINACION | 1 | 1 | |
| 36 | 682-43615-02 | PLATE, TILT LOCK PLACA DE SEGURO DE INCLINACION | 1 | 1 | |
| 37 | 682-43611-01 | SHAFT, TILT LOCK EJE SEGURO INCLINACION | 1 | 1 | |
| 38 | 90387-06M20 | COLLAR ESPACIADOR | 1 | 1 | |
| 39 | 682-43659-01 | SHAFT, REVERSE LOCK EJE SEGURO DE REVERSA | 1 | 1 | |
| 40 | 99080-05600 | CIRCLIP PRESILLA REDONDA | 2 | 2 | |
| 41 | 90506-26M01 | SPRING, TENSION RESORTE DE TENSION | 2 | 2 | S(17.4"),L(22.4") |
| | 90506-26M07 | SPRING, TENSION RESORTE DE TENSION | 2 | 2 | S(17.4"),L(22.4") X(28.0") X(28.0") |
| 42 | 90109-06M05 | BOLT PERNO | 2 | 2 | |
| 43 | 6B4-43181-00 | LEVER, TILT STOP 1 PALANCA TOPE INCLINACION 1 | 1 | 1 | |
| 44 | 6B4-43627-00 | STOPPER RETEN | 2 | 2 | |
| 45 | 90249-10003 | PIN PASADOR | 1 | 1 | |
| 46 | 90506-12002 | SPRING, TENSION RESORTE DE TENSION | 1 | 1 | |
| 47 | 95680-06100 | NUT, U TUERCA U | 2 | 2 | |
| 48 | 92990-06600 | WASHER, PLATE ARANDELA PLANA | 2 | 2 | |
| 49 | 90206-10M24 | WASHER, WAVE ARANDELA ONDULADA | 2 | 2 | |
| 50 | 90202-10M56 | WASHER, PLATE ARANDELA DE PLANA | 1 | 1 | |
| 51 | 99080-09600 | CIRCLIP PRESILLA REDONDA | 1 | 1 | |
| 52 | 682-43318-01 | COVER CUBIERTA | 1 | 1 | |
| 53 | 6B4-43681-10 | LEVER, SHALLOW WATER DRIVE 1 PALANCA 1 | 1 | 1 | |

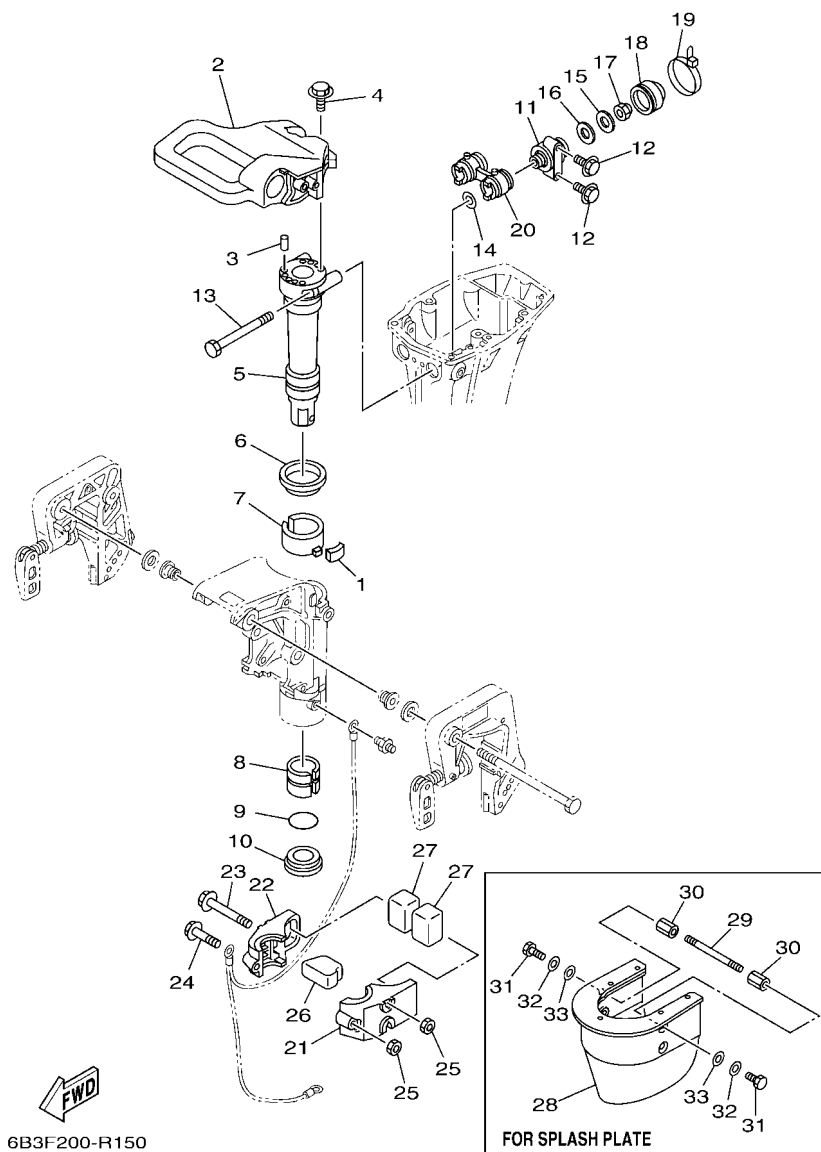


6B3120031301

FIG. 14 BRACKET 1

SOPORTE 1

| REF. NO. | PART NO. CODIGO N° | DESCRIPTION DESCRIPCION | 6B3G | 6B4G | REMARKS OBSERVACIONES |
|----------|--------------------|---------------------------------------|------|------|-----------------------|
| 54 | 682-43318-01 | COVER CUBIERTA | 1 | 1 | |
| 55 | 682-43643-00 | SPRING RESORTE | 1 | 1 | |
| 56 | 97095-06008 | BOLT PERNO | 1 | 1 | |
| 57 | 92990-06600 | WASHER, PLATE ARANDELA PLANA | 1 | 1 | |
| 58 | 90102-08M01 | BOLT, WITH HOLE PERNO CON ORIFICIO | 1 | 1 | X(28.0°) X(28.0°) |
| 59 | 91490-20015 | PIN. COTTER CHAVETA | 1 | 1 | X(28.0°) X(28.0°) |
| 60 | 90171-08M00 | NUT, CASTLE TUERCA ENTALLADA | 1 | 1 | X(28.0°) X(28.0°) |
| 61 | 92990-08600 | WASHER, PLATE ARANDELA PLANA | 1 | 1 | X(28.0°) X(28.0°) |



6B3F200-R150

FIG. 15 BRACKET 2

SOPORTE 2

| REF. NO. | PART NO. CODIGO N° | DESCRIPTION DESCRIPCION | 6B3G | 6B4G | REMARKS OBSERVACIONES |
|----------|--------------------|--|------|------|--|
| 1 | 648-42528-00 | PLATE, FRICTION PIEZA DE FRICCION | 1 | 1 | |
| 2 | 6B4-42511-00-8D | BRACKET, STEERING SOPORTE DE DIRECCION | 1 | 1 | |
| 3 | 93606-12019 | PIN, DOWEL PASADOR DE CLAVIJA | 2 | 2 | |
| 4 | 97595-06525 | BOLT, WITH WASHER PERNO CON ARANDELA | 3 | 3 | |
| 5 | 682-42521-00 | SHAFT, STEERING PIVOT EJE PIVOTE DE DIRECCION | 1 | 1 | |
| 6 | 90209-52M01 | WASHER ARANDELA DE SEPARACION | 1 | 1 | |
| 7 | 682-42537-00 | BUSHING, PIVOT SHAFT BUJE DEL PIVOTE DE LA FLECHA | 1 | 1 | |
| 8 | 90386-40M09 | BUSH BUJE | 1 | 1 | |
| 9 | 93210-40M10 | O-RING ANILLO O | 1 | 1 | |
| 10 | 90386-40M08 | BUSH BUJE | 1 | 1 | |
| 11 | 682-44514-01-CA | MOUNT DAMPER, UPPER SIDE AMORTIGUADOR LADO SUPERIOR | 2 | 2 | S(17.4"),L(22.4") |
| | 682-44514-31-CA | MOUNT DAMPER, UPPER SIDE AMORTIGUADOR LADO SUPERIOR | 2 | 2 | S(17.4"),L(22.4") X(28.0") X(28.0") |
| 12 | 97595-06525 | BOLT, WITH WASHER PERNO CON ARANDELA | 4 | 4 | |
| 13 | 90101-08M30 | BOLT TORNILLO | 2 | 2 | |
| 14 | 90201-08M12 | WASHER, PLATE ARANDELA PLANA | 2 | 2 | |
| 15 | 90201-08M13 | WASHER, PLATE ARANDELA PLANA | 2 | 2 | |
| 16 | 90202-13M02 | WASHER, PLATE ARANDELA DE PLANA | 2 | 2 | |
| 17 | 90185-08057 | NUT, SELF-LOCKING TUERCA AUTOBLOCANTE | 2 | 2 | |
| 18 | 682-44522-01 | SEAL SELLO DE GOMA | 2 | 2 | |
| 19 | 90465-11M52 | CLAMP BRIDA | 2 | 2 | |
| 20 | 682-44521-01 | SEAL SELLO DE GOMA | 1 | 1 | |
| 21 | 682-44551-02-8D | HOUSING, LOWER MOUNT RUBBER 1 CAJA AMORTIGUADOR INFERIOR HU | 1 | 1 | |
| 22 | 682-44552-02-8D | HOUSING, LOWER MOUNT RUBBER 2 CAJA AMORTIGUADOR INFERIOR HU | 1 | 1 | |
| 23 | 90119-08M45 | BOLT, WITH WASHER TORNILLO CON ARANDELA | 2 | 2 | EXCEPT SPLASH PLATE EXCEPT SPLASH PLATE |
| 24 | 97575-08555 | BOLT, WITH WASHER PERNO CON ARANDELA | 1 | 1 | |
| 25 | 95380-08700 | NUT TUERCA | 3 | 3 | EXCEPT SPLASH PLATE EXCEPT SPLASH PLATE |
| | 95380-08700 | NUT TUERCA | | 1 | FOR SPLASH PLATE FOR SPLASH PLATE |

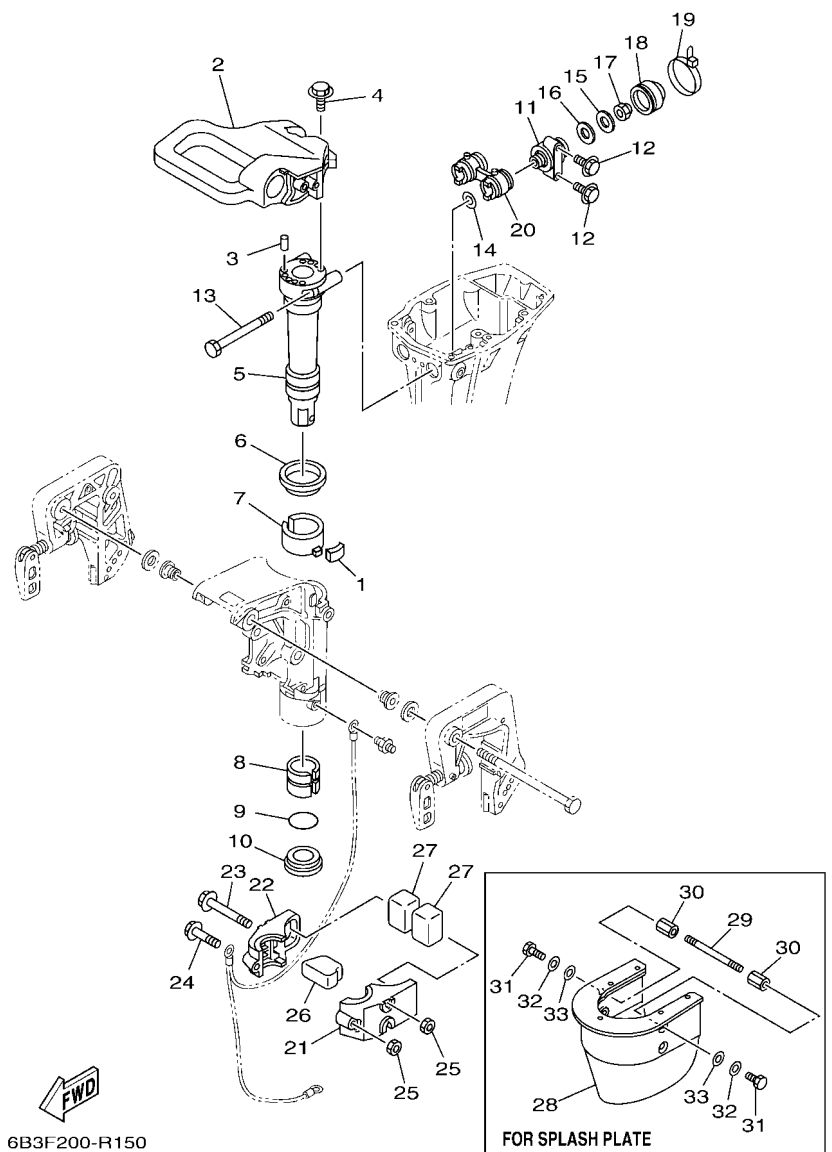


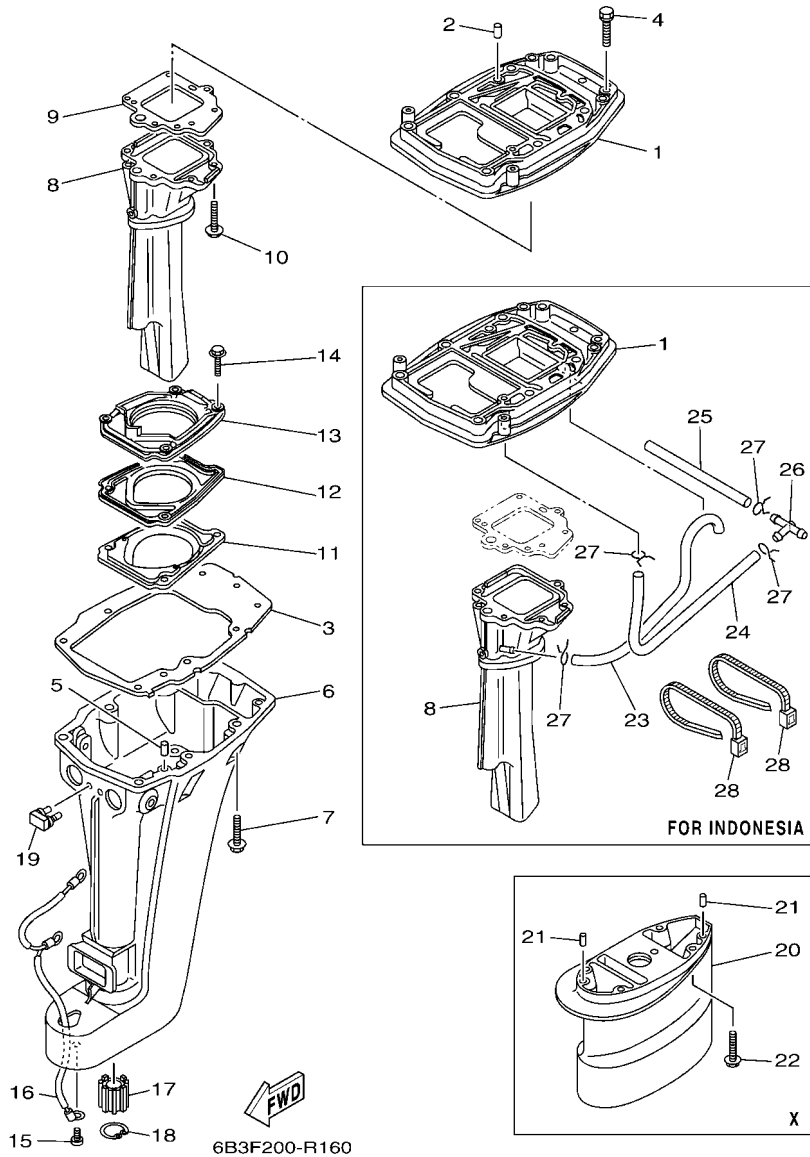
FIG. 15 BRACKET 2

SOPORTE 2

| REF. NO. | PART NO. CODIGO N° | DESCRIPTION DESCRIPCION | 6B3G | 6B4G | REMARKS OBSERVACIONES |
|----------|--------------------|---|------|------|--|
| 26 | 682-44557-00 | MOUNT DAMPER, LOWER FRONT AMORTIGUADOR DE HULE FRENTE IN | 1 | 1 | |
| 27 | 682-44555-30 | MOUNT DAMPER, LOWER SIDE AMORTIGUADOR DE HULE LADO INFE | 2 | 2 | S(17.4") S(17.4") |
| | 6B4-44555-30 | MOUNT DAMPER, LOWER SIDE AMORTIGUADOR DE HULE LADO INFE | 2 | 2 | L(22.4"),X(28.0") L(22.4"),X(28.0") |
| 28 | 6B4-45151-00-8D | COVER, UPPER CASING CUBIERTA FUNDA SUPERIOR | 1 | 1 | FOR SPLASH PLATE FOR SPLASH PLATE |
| 29 | 90116-08013 | BOLT, STUD ESPARRAGO | 2 | 2 | FOR SPLASH PLATE FOR SPLASH PLATE |
| 30 | 90170-08009 | NUT TUERCA | 4 | 4 | FOR SPLASH PLATE FOR SPLASH PLATE |
| 31 | 97095-08012 | BOLT PERNO | 4 | 4 | FOR SPLASH PLATE FOR SPLASH PLATE |
| 32 | 92995-08100 | WASHER ARANDELA | 4 | 4 | FOR SPLASH PLATE FOR SPLASH PLATE |
| 33 | 92990-08600 | WASHER, PLATE ARANDELA PLANA | 4 | 4 | FOR SPLASH PLATE FOR SPLASH PLATE |

FIG. 16 UPPER CASING

FUNDA SUPERIOR



| REF. NO. | PART NO. CODIGO N° | DESCRIPTION DESCRIPCION | 6B3G | 6B4G | | REMARKS OBSERVACIONES |
|----------|--------------------|---|------|------|--|--|
| 1 | 6B4-41137-A0-CA | GUIDE, EXHAUST GUIA DE ESCAPE | 1 | 1 | | |
| | 6B4-41137-B0-CA | GUIDE, EXHAUST GUIA DE ESCAPE | | 1 | | FOR IDN FOR IDN |
| 2 | 93606-12019 | PIN, DOWEL PASADOR DE CLAVIJA | 2 | 2 | | |
| 3 | 682-45113-A3 | GASKET, UPPER CASING EMPAQUE | 1 | 1 | | |
| | 6B4-45113-01 | GASKET, UPPER CASING EMPAQUE | | 1 | | FOR IDN FOR IDN |
| 4 | 90119-06MA4 | BOLT, WITH WASHER TORNILLO CON ARANDELA | 2 | 2 | | |
| 5 | 93606-12019 | PIN, DOWEL PASADOR DE CLAVIJA | 2 | 2 | | |
| 6 | 682-45111-05-8D | CASING, UPPER CAJA SUPERIOR | 1 | 1 | | S(17.4") S(17.4") |
| | 682-45111-15-8D | CASING, UPPER CAJA SUPERIOR | 1 | 1 | | L(22.4"),X(28.0") L(22.4"),X(28.0") |
| 7 | 97575-08550 | BOLT, WITH WASHER PERNO CON ARANDELA | 6 | 6 | | |
| 8 | 6B4-41131-00-CA | MANIFOLD, EXT. 1 TUBO MULTIPLE DE ESCAPE | 1 | 1 | | UR UR |
| | 6B4-41131-10-CA | MANIFOLD, EXT. 1 TUBO MULTIPLE DE ESCAPE | 1 | 1 | | UR ANTI-CORROSIVE UR ANTI-CORROSIVE |
| | 6B4-41131-20-CA | MANIFOLD, EXT. 1 TUBO MULTIPLE DE ESCAPE | | 1 | | UR FOR IDN UR FOR IDN |
| 9 | 682-41133-A0 | GASKET, EXHAUST MANIFOLD 1 EMPAQUE ESCAPE MULTIPLE | 1 | 1 | | |
| 10 | 97595-06520 | BOLT, WITH WASHER PERNO CON ARANDELA | 6 | 6 | | |
| 11 | 682-45126-01-CA | PLATE, SEAL DAMPER PLACA DE SELLO DE HULE | 1 | 1 | | |
| 12 | 682-45127-00 | SEAL SELLO DE GOMA | 1 | 1 | | |
| 13 | 682-41116-00-CA | PROTECTOR PROTECTOR | 1 | 1 | | S(17.4") S(17.4") |
| | 6B4-41116-A0-CA | PROTECTOR PROTECTOR | 1 | 1 | | L(22.4"),X(28.0") L(22.4"),X(28.0") |
| 14 | 90105-06M01 | BOLT, FLANGE TORNILLO | 4 | 4 | | |
| 15 | 90157-06M06 | SCREW, PAN HEAD TORNILLO CABEZA CONICA PLANA | 1 | 1 | | |
| 16 | 6E7-82127-00 | WIRE, LEAD 2 CABLE CONDUCTOR 2 | 1 | 1 | | |
| 17 | 6B4-45318-00 | BUSHING, DRIVE SHAFT BUJE, EJE DE MANDO | 1 | 1 | | L(22.4"),X(28.0") L(22.4"),X(28.0") |
| 18 | 93420-30042 | CIRCLIP SEGURO | 1 | 1 | | L(22.4"),X(28.0") L(22.4"),X(28.0") |
| 19 | 682-44532-00 | STOPPER, UPPER MOUNT RETEN | 1 | 1 | | |
| 20 | 682-45211-31-8D | EXTENSION EXTENSION | | 1 | | X(28.0") X(28.0") |
| 21 | 93606-12019 | PIN, DOWEL PASADOR DE CLAVIJA | | 2 | | X(28.0") X(28.0") |

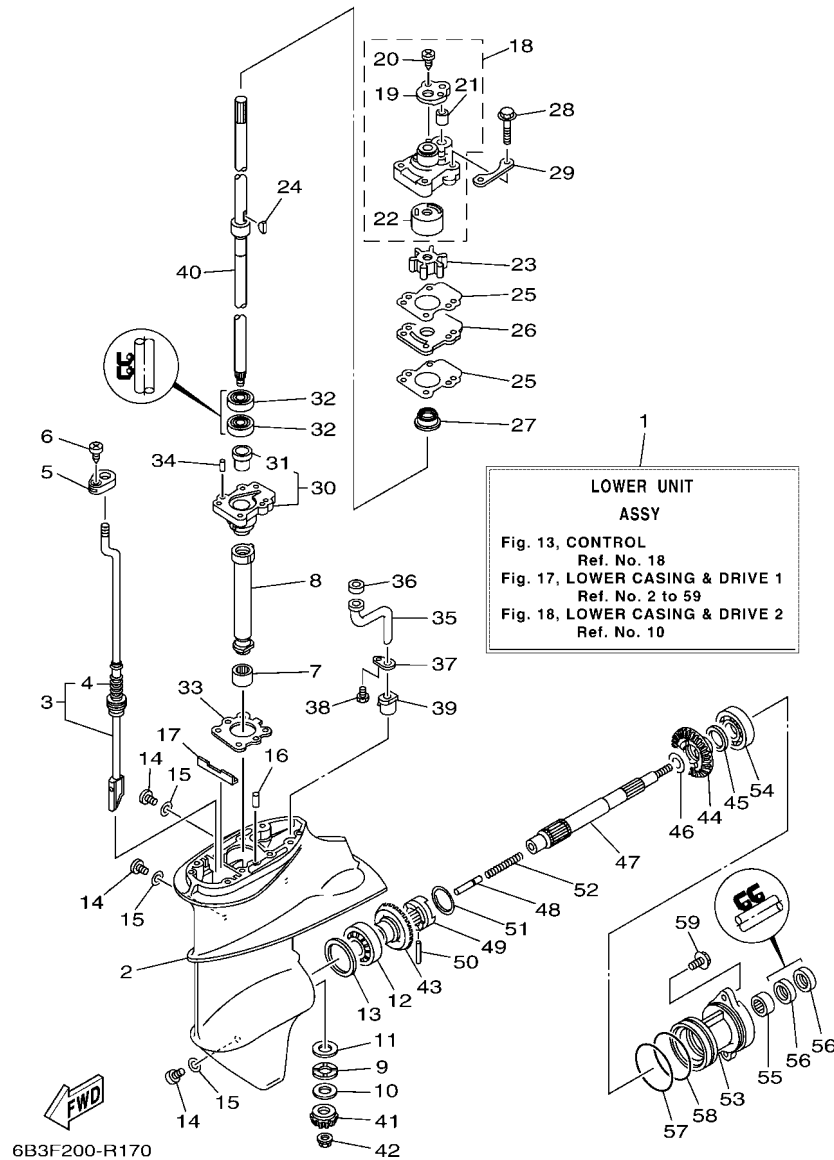


FIG. 17 LOWER CASING & DRIVE 1

IMPULSOR E INFERIOR 1

| REF. NO. | PART NO. CODIGO N° | DESCRIPTION DESCRIPCION | 6B3G | 6B4G | REMARKS OBSERVACIONES |
|----------|--------------------|--|------|------|-----------------------|
| 1 | 6B4-45300-01-8D | LOWER UNIT ASSY CONJUNTO UNIDAD INFERIOR | 1 | 1 | S(17.4") S(17.4") |
| | 6B4-45300-11-8D | LOWER UNIT ASSY CONJUNTO UNIDAD INFERIOR | 1 | 1 | L(22.4") L(22.4") |
| | 6B4-45300-31-8D | LOWER UNIT ASSY CONJUNTO UNIDAD INFERIOR | | 1 | X(28.0") X(28.0") |
| 2 | 6E8-45311-01-8D | CASING, LOWER FUNDA INFERIOR | 1 | 1 | |
| 3 | 6B4-44150-00 | SHIFT CAM ASSY CONJUNTO EJE LEVA COMPL. | 1 | 1 | S(17.4") S(17.4") |
| | 6B4-44150-10 | SHIFT CAM ASSY CONJUNTO EJE LEVA COMPL. | 1 | 1 | L(22.4") L(22.4") |
| | 6B4-44150-30 | SHIFT CAM ASSY CONJUNTO EJE LEVA COMPL. | | 1 | X(28.0") X(28.0") |
| 4 | 6B4-44147-00 | .BOOT, SHIFT ROD .HULE DE VARILLA | 1 | 1 | |
| 5 | 682-44176-00 | BRACKET SOPORTE | 1 | 1 | |
| 6 | 97780-50110 | SCREW, TAPPING TORNILLO DE CABEZA DE CONO ACH | 1 | 1 | |
| 7 | 93315-314V8 | BEARING COJINETE DE RODILLOS | 1 | 1 | |
| 8 | 6E7-45536-00 | SLEEVE, DRIVE SHAFT CAMISA EJE DE MANDO | 1 | 1 | |
| 9 | 90209-14011 | WASHER ARANDELA DE SEPARACION | 1 | 1 | |
| 10 | 6E8-45587-10 | SHIM (T:1.13MM) LAINA (T:1.13MM) | 1 | 1 | UR |
| | 6E8-45587-30 | SHIM (T:1.20MM) LAINA (T:1.20MM) | 1 | 1 | UR |
| | | | | | UR |
| | | | | | UR |
| 11 | 90201-15017 | WASHER, PLATE ARANDELA PLANA | 1 | 1 | |
| 12 | 93332-00005 | BEARING COJINETE | 1 | 1 | |
| 13 | 664-45567-01 | SHIM (T:0.10MM) LAINA (T:0.10MM) | 1 | 1 | UR |
| | 664-45567-10 | SHIM (T:0.12MM) LAINA (T:0.12MM) | 1 | 1 | UR |
| | 664-45567-20 | SHIM (T:0.15MM) LAINA (T:0.15MM) | 1 | 1 | UR |
| | 664-45567-30 | SHIM (T:0.18MM) LAINA (T:0.18MM) | 1 | 1 | UR |
| | 664-45567-40 | SHIM (T:0.30MM) LAINA (T:0.30MM) | 1 | 1 | UR |
| | 664-45567-50 | SHIM (T:0.40MM) LAINA (T:0.40MM) | 1 | 1 | UR |
| | 664-45567-60 | SHIM (T:0.50MM) LAINA (T:0.50MM) | 1 | 1 | UR |
| 14 | 90340-08002 | PLUG, STRAIGHT SCREW TORNILLO, DE DRENAJE | 3 | 3 | |
| 15 | 90430-08003 | GASKET JUNTA | 3 | 3 | |
| 16 | 93604-08062 | PIN, DOWEL PASADOR DE CLAVIJA | 1 | 1 | |

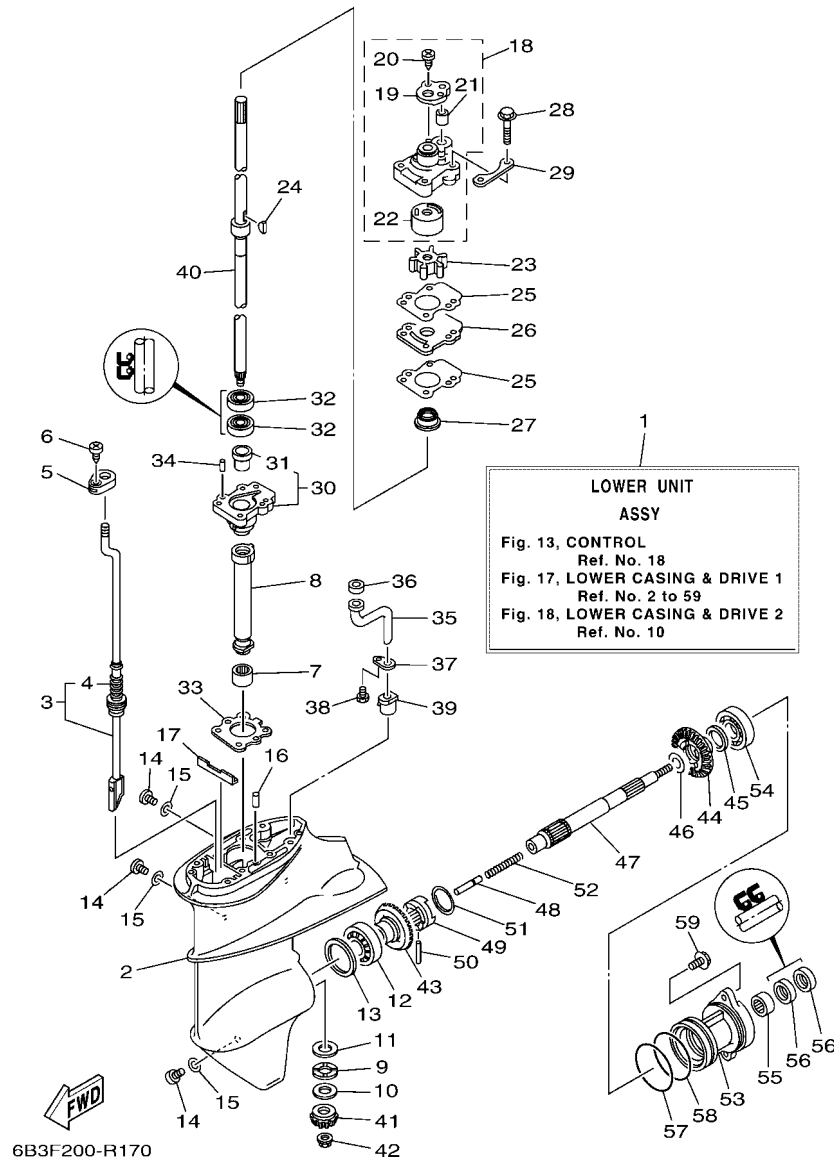


FIG. 17 LOWER CASING & DRIVE 1

IMPULSOR E INFERIOR 1

| REF. NO. | PART NO. CODIGO N° | DESCRIPTION DESCRIPCION | 6B3G | 6B4G | REMARKS OBSERVACIONES |
|----------|--------------------|--|------|------|-----------------------|
| 17 | 682-45376-01 | GUIDE, SEAL DAMPER GUIA DE SELLO GOMA | 1 | 1 | |
| 18 | 682-44300-40 | HOUSING WATER PUMP ASSY BOMBA DE AGUA | 1 | 1 | |
| 19 | 682-44312-00 | .COVER, WATER PUMP HOUSING .CUBIERTA CAJA BOMBA DE AGUA | 1 | 1 | |
| 20 | 97780-40112 | .SCREW, OVAL HEAD TAPPING .TORNILLO DE CABEZA DE CONO ACH | 2 | 2 | |
| 21 | 682-44365-00 | .DAMPER, WATER SEAL 1 .HULE DE SELLO DE AGUA 1 | 1 | 1 | |
| 22 | 682-44322-41 | .INSERT, CARTRIDGE .CARTUCHO | 1 | 1 | |
| 23 | 682-44352-03 | IMPELLER IMPULSOR | 1 | 1 | |
| 24 | 90280-03005 | KEY, WOODRUFF CUNA WOODRUFF | 1 | 1 | |
| 25 | 682-44315-A0 | GASKET, WATER PUMP EMPAQUE | 2 | 2 | |
| 26 | 682-44323-40 | OUTER PLATE, CARTRIDGE PLACA EXTERIOR DEL CARTUCHO | 1 | 1 | |
| 27 | 682-45344-00 | COVER, OIL SEAL CUBIERTA SELLO ACEITE | 1 | 1 | |
| 28 | 97595-06545 | BOLT, WITH WASHER PERNO CON ARANDELA | 4 | 4 | |
| 29 | 682-44328-00 | PLATE PLACA | 2 | 2 | |
| 30 | 6E7-45331-00-CA | HOUSING, BEARING CAJA DE COJINETE | 1 | 1 | |
| 31 | 626-45316-09 | .BUSHING, DRIVE SHAFT .BUJE, EJE DE MANDO | 1 | 1 | |
| 32 | 93101-20001 | OIL SEAL SELLO ACEITE | 2 | 2 | |
| 33 | 683-45315-A0 | PACKING, LOWER CASING EMPAQUE | 1 | 1 | |
| 34 | 93606-12019 | PIN, DOWEL PASADOR DE CLAVIJA | 2 | 2 | |
| 35 | 683-44362-01 | TUBE, WATER 2 TUBO DE AGUA 2 | 1 | 1 | |
| 36 | 683-44365-01 | DAMPER, WATER SEAL 1 HULE DE SELLO DE AGUA 1 | 1 | 1 | |
| 37 | 683-44373-00 | SET PLATE, WATER TUBE PLACA PARA FIJAR TUBO | 1 | 1 | |
| 38 | 97095-06010 | BOLT PERNO | 1 | 1 | |
| 39 | 6E7-44366-00 | DAMPER, WATER SEAL 2 GOMA DEL SELLO DE AGUA 2 | 1 | 1 | |
| 40 | 6B4-45501-00 | DRIVE SHAFT COMP. EJE DE MANDO COMPL. | 1 | 1 | S(17.4") S(17.4") |
| | 6B4-45501-10 | DRIVE SHAFT COMP. EJE DE MANDO COMPL. | 1 | 1 | L(22.4") L(22.4") |
| | 6B4-45501-30 | DRIVE SHAFT COMP. EJE DE MANDO COMPL. | | 1 | X(28.0") X(28.0") |
| 41 | 63V-45551-00 | PINION (13T) PINON (13T) | 1 | 1 | |

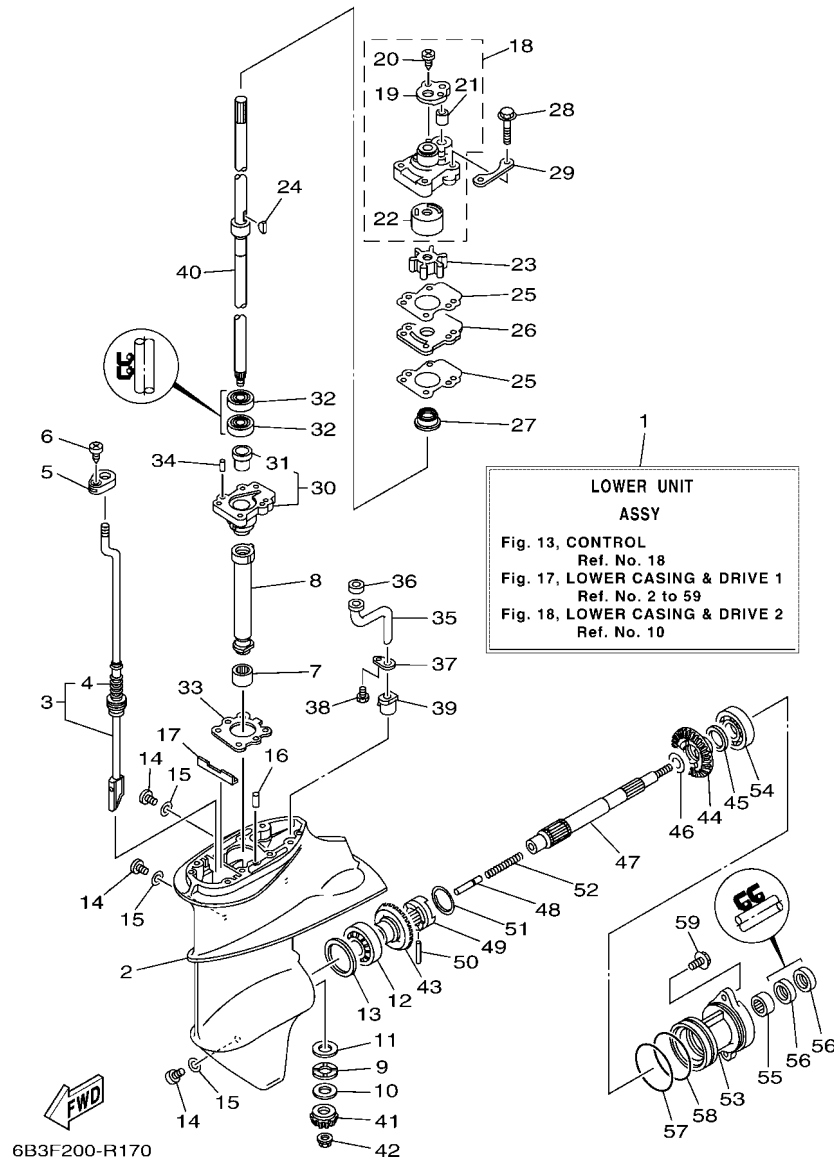


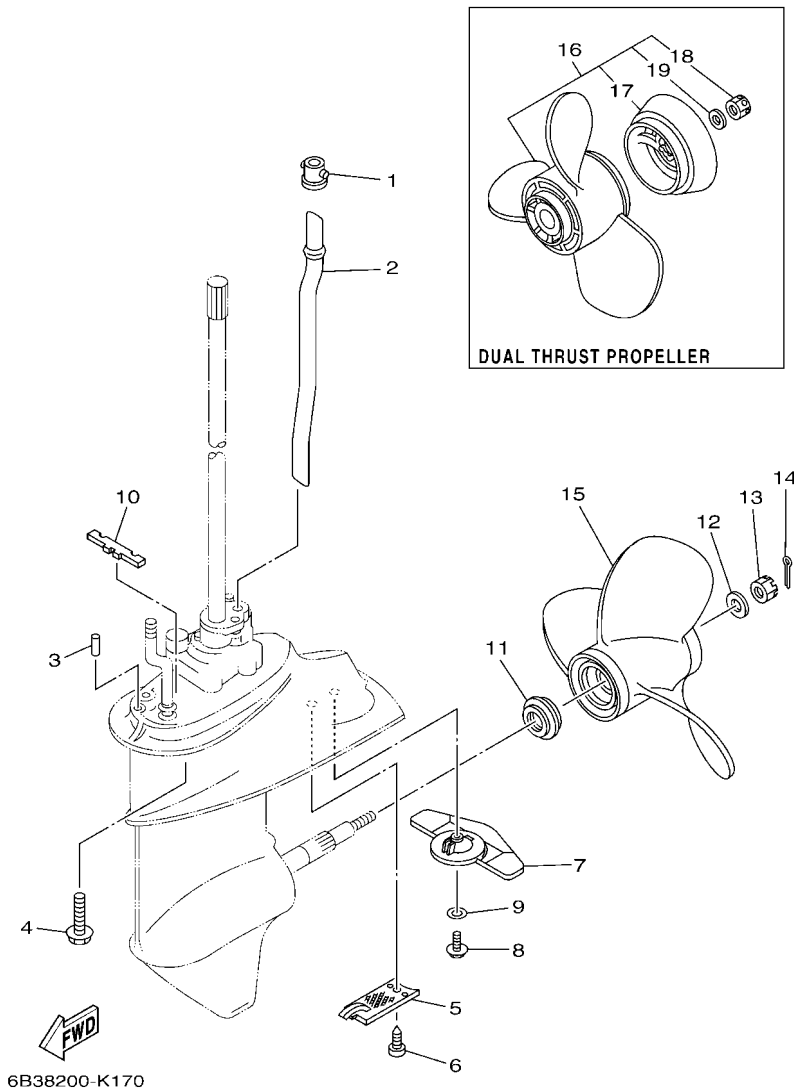
FIG. 17 LOWER CASING & DRIVE 1

IMPULSOR E INFERIOR 1

| REF. NO. | PART NO. CODIGO N° | DESCRIPTION DESCRIPCION | 6B3G | 6B4G | REMARKS OBSERVACIONES |
|----------|--------------------|--|------|------|--|
| 42 | 90179-08M06 | NUT TUERCA | 1 | 1 | |
| 43 | 6E7-45560-01 | GEAR 1 (27T) ENGRANAJE 1 (27T) | 1 | 1 | |
| 44 | 6E7-45571-00 | GEAR 2 (27T) ENGRANAJE 2 (27T) | 1 | 1 | |
| 45 | 626-45577-00 | SHIM (T:0.10MM) LAINA (T:0.10MM) | 1 | 1 | UR |
| | 626-45577-10 | SHIM (T:0.20MM) LAINA (T:0.20MM) | 1 | 1 | UR |
| | 626-45577-20 | SHIM (T:0.30MM) LAINA (T:0.30MM) | 1 | 1 | UR |
| | 626-45577-30 | SHIM (T:0.40MM) LAINA (T:0.40MM) | 1 | 1 | UR |
| | 626-45577-40 | SHIM (T:0.50MM) LAINA (T:0.50MM) | 1 | 1 | UR |
| 46 | 90201-17682 | WASHER, PLATE ARANDELA PLANA | 1 | 1 | |
| 47 | 683-45611-00 | SHAFT, PROPELLER EJE PROPUSOR | 1 | 1 | |
| 48 | 650-45635-00 | PLUNGER, SHIFT EMBOLO DE CAMBIO | 1 | 1 | |
| 49 | 682-45631-00 | CLUTCH, DOG EMBRAGUE DE GARRA | 1 | 1 | |
| 50 | 90250-05010 | PIN, STRAIGHT PASADOR CILINDRICO | 1 | 1 | |
| 51 | 648-45633-11 | RING, CROSS PIN ANILLO DE PASADOR | 1 | 1 | |
| 52 | 90501-14M06 | SPRING, COMPRESSION RESORTE DE COMPRESION | 1 | 1 | |
| 53 | 683-45361-02-8D | CAP, LOWER CASING FUNDA INFERIOR | 1 | 1 | UR |
| | 6B4-45361-00-8D | CAP, LOWER CASING FUNDA INFERIOR | 1 | 1 | UR ANTI-CORROSIVE UR ANTI-CORROSIVE |
| 54 | 93306-00501 | BEARING COJINETE | 1 | 1 | |
| 55 | 93315-317U2 | BEARING COJINETE DE RODILLOS | 1 | 1 | |
| 56 | 93101-17001 | OIL SEAL SELLO ACEITE | 2 | 2 | |
| 57 | 93210-57M09 | O-RING ANILLO O | 1 | 1 | |
| 58 | 93210-56M80 | O-RING ANILLO O | 1 | 1 | |
| 59 | 97595-06520 | BOLT, WITH WASHER PERNO CON ARANDELA | 2 | 2 | |

FIG. 18 LOWER CASING & DRIVE 2

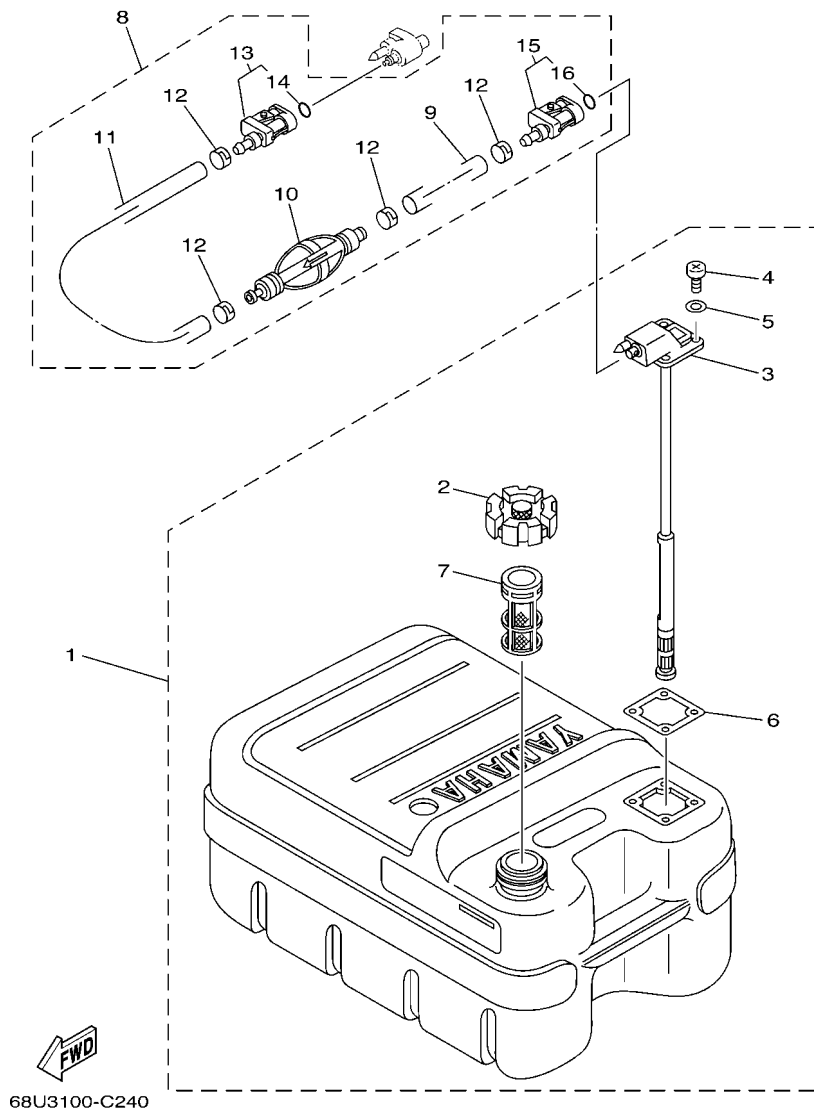
IMPULSOR E INFERIOR 2



| REF. NO. | PART NO. CODIGO N° | DESCRIPTION DESCRIPCION | 6B3G | 6B4G | REMARKS OBSERVACIONES |
|----------|--------------------|--|------|------|-----------------------|
| 1 | 626-44365-01 | DAMPER, WATER SEAL 1 HULE DE SELLO DE AGUA 1 | 1 | 1 | |
| 2 | 682-44361-01 | TUBE, WATER 1 TUBO DE AGUA 1 | 1 | 1 | S(17.4") S(17.4") |
| | 6B4-44361-10 | TUBE, WATER 1 TUBO DE AGUA 1 | 1 | 1 | L(22.4") L(22.4") |
| | 6B4-44361-30 | TUBE, WATER 1 TUBO DE AGUA 1 | | 1 | X(28.0") X(28.0") |
| 3 | 93606-12019 | PIN, DOWEL PASADOR DE CLAVIJA | 2 | 2 | |
| 4 | 97575-08535 | BOLT, WITH WASHER PERNO CON ARANDELA | 4 | 4 | |
| 5 | 6E7-45214-00 | COVER, WATER INLET 1 CUBIERTA ENTRADA AGUA 1 | 1 | 1 | |
| 6 | 97880-05012 | SCREW, PAN HEAD TORNILLO DE CABEZA CON PLANA | 1 | 1 | |
| 7 | 6B4-45251-00 | ANODE CATODE | 1 | 1 | |
| 8 | 95895-06020 | BOLT, FLANGE TORNILLO DE REBORDE | 1 | 1 | |
| 9 | 92990-06300 | WASHER, INTERNAL TOOTH ARANDELA PLANA | 1 | 1 | |
| 10 | 682-45375-01 | DAMPER, SEAL GOMA DE SELLO | 1 | 1 | |
| 11 | 6E7-45987-01 | SPACER 1 ESPACIADOR 1 | 1 | 1 | |
| 12 | 90201-10M01 | WASHER, PLATE ARANDELA PLANA | 1 | 1 | |
| 13 | 90171-10M01 | NUT, CASTLE TUERCA ENTALLADA | 1 | 1 | |
| 14 | 91490-30020 | PIN, COTTER CHAVETA | 1 | 1 | |
| 15 | 683-45949-00 | PROPELLER (3X9-1/2"X6-1/2"-J) PROPELA (3X9-1/2"X6-1/2"-J) | 1 | 1 | UR UR |
| | 63V-45947-00 | PROPELLER (3X9-1/4"X8"-J) PROPELA (3X9-1/4"X8"-J) | 1 | 1 | UR UR |
| | 683-45947-00 | PROPELLER (3X9-1/4"X8"-J) PROPELA (3X9-1/4"X8"-J) | 1 | 1 | UR UR |
| | 63V-45945-10 | PROPELLER (3X9-1/4"X9"-J1) PROPELA (3X9-1/4"X9"-J1) | 1 | 1 | UR UR |
| | 683-45952-00 | PROPELLER (3X9-1/4"X9-3/4"-J) PROPELA (3X9-1/4"X9-3/4"-J) | 1 | 1 | UR UR |
| | 683-45943-00 | PROPELLER (3X9-1/4"X10-1/2"-J) PROPERA (3X9-1/4"X10-1/2"-J) | 1 | 1 | UR UR |
| | 63V-45952-10 | PROPELLER (3X9-1/4"X10"-J1) PROPELA (3X9-1/4"X10"-J1) | 1 | 1 | UR UR |
| | 63V-45943-10 | PROPELLER (3X9-1/4"X11"-J1) PROPELA (3X9-1/4"X11"-J1) | 1 | 1 | UR UR |
| | 683-45941-00 | PROPELLER (3X9-1/4"X12"-J) PROPERA (3X9-1/4"X12"-J) | 1 | 1 | UR UR |
| 16 | 683-W4592-02 | PROPELLER (3X9-3/4"X6-1/2"-J) PROPELA (3X9-3/4"X6-1/2"-J) | 1 | 1 | UR UR |
| | 683-W4591-02 | PROPELLER (3X9-3/4"X8"-J) PROPELA (3X9-3/4"X8"-J) | 1 | 1 | UR UR |

FIG. 19 FUEL TANK

DEPOSITO DE COMBUSTIBLE

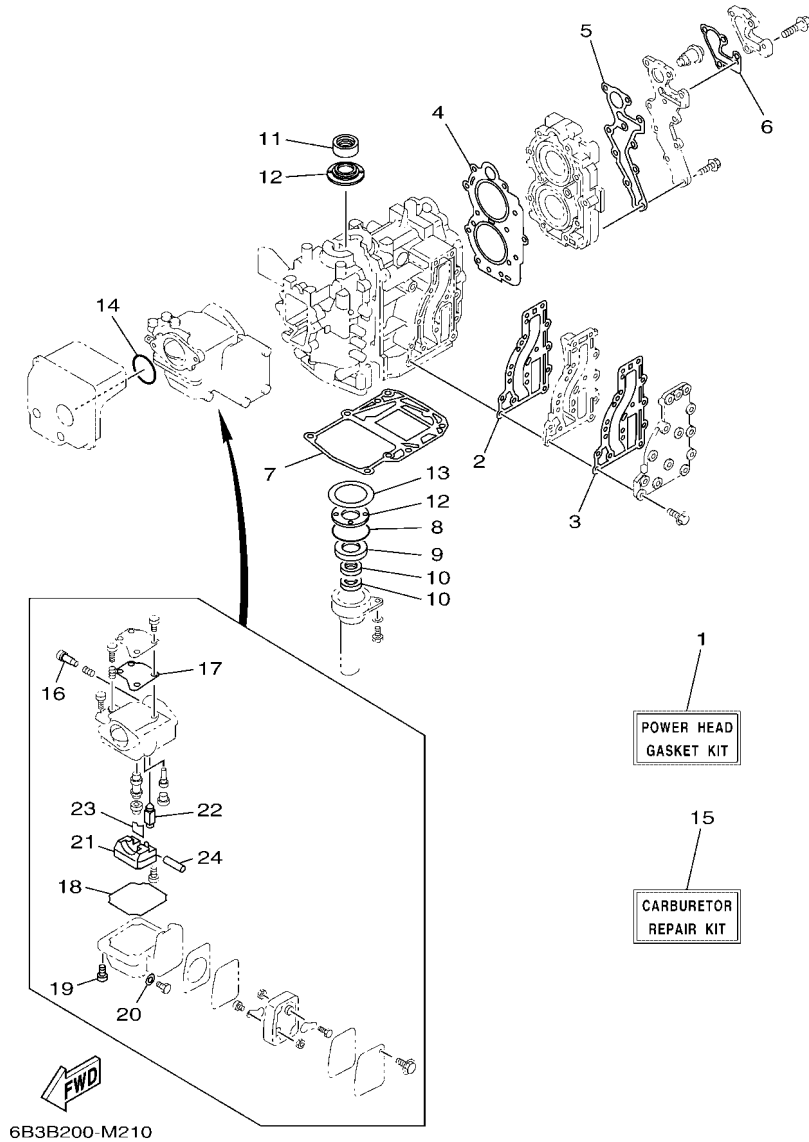


68U3100-C240

| REF. NO. | PART NO. CODIGO N° | DESCRIPTION DESCRIPCION | 6B3G | 6B4G | REMARKS OBSERVACIONES |
|----------|--------------------|---|------|------|-----------------------|
| 1 | 6YJ-24201-20 | FUEL TANK ASSY (24L) TANQUE DEL COMBUSTIBLE (24L) | 1 | 1 | AP AP |
| 2 | 6YJ-24610-01 | .CAP ASSY .TAPA COMPLETA | 1 | 1 | |
| 3 | 6YJ-24260-10 | .FUEL METER ASSY .MEDIDOR DE COMBUSTIBLE COMPL. | 1 | 1 | |
| 4 | 90157-05M19 | .SCREW, PAN HEAD .TORNILLO CABEZA CONICA PLANA | 4 | 4 | |
| 5 | 6Y1-24329-00 | .SEAL .SELLO | 4 | 4 | |
| 6 | 6Y1-24268-00 | .GASKET, FUEL METER .EMPAQ MEDIDOR DE COMBUSTIBLE | 1 | 1 | |
| 7 | 6YJ-24167-00 | .STRAINER .COLADOR | 1 | 1 | |
| 8 | 61J-24306-04 | FUEL PIPE COMP. 1 TUBO COMBUST. COMPL 1 | 1 | 1 | AP AP |
| 9 | 90445-11M06 | .HOSE (L2050) .MANGUERA (L2050) | 1 | 1 | |
| 10 | 61J-24360-00 | .PRIMER PUMP ASSY .SOPORTE BOMBA | 1 | 1 | |
| 11 | 90445-11M05 | .HOSE (L850) .MANGUERA (L850) | 1 | 1 | |
| 12 | 650-24351-51 | .BAND 1 .ABRAZADERA 1 | 4 | 4 | |
| 13 | 6G1-24305-05 | .FUEL PIPE JOINT COMP. 2 .CONECTOR MANGUERA COMBUST. 2 | 1 | 1 | |
| 14 | 93210-08287 | .O-RING .ANILLO O | 1 | 1 | |
| 15 | 6Y1-24305-06 | .FUEL PIPE JOINT COMP. 2 .CONECTOR MANGUERA COMBUST. 2 | 1 | 1 | |
| 16 | 93210-08287 | .O-RING .ANILLO O | 1 | 1 | |

FIG. 21 REPAIR KIT 1

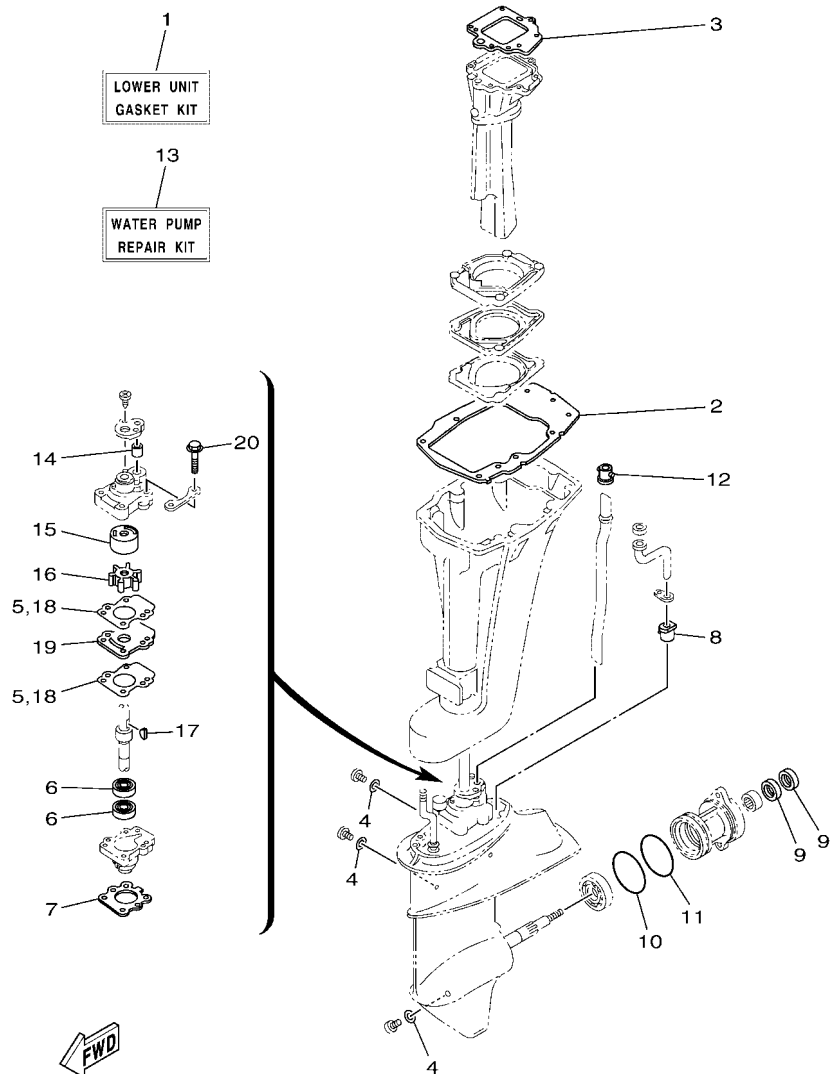
ESTUCHE REPARATION 1



| REF. NO. | PART NO. CODIGO N° | DESCRIPTION DESCRIPCION | 6B3G | 6B4G | REMARKS OBSERVACIONES |
|----------|--------------------|--|------|------|-----------------------|
| 1 | 6B4-W0001-00 | POWER HEAD GASKET KIT JUEGO DE EMPAQUE DE MOTOR | 1 | 1 | |
| 2 | 6B4-41112-A0 | .GASKET, EXHAUST INNER COVER .EMPAQUE | 1 | 1 | |
| 3 | 63V-41112-A0 | .GASKET, EXHAUST INNER COVER .EMPAQUE | 1 | 1 | |
| 4 | 63V-11181-A2 | .GASKET, CYLINDER HEAD 1 .JUNTA, DE CULATA 1 | 1 | 1 | |
| 5 | 6B4-11193-A1 | .GASKET, HEAD COVER 1 .EMPAQUE | 1 | 1 | |
| 6 | 682-12414-A1 | .GASKET, COVER .EMPAQUE | 1 | 1 | |
| 7 | 6B4-11351-A1 | .GASKET, CYLINDER .JUNTA, DE CILINDRO | 1 | 1 | |
| 8 | 93210-46M16 | .O-RING .ANILLO O | 1 | 1 | |
| 9 | 93102-25010 | .OIL SEAL .SELLO ACEITE | 1 | 1 | |
| 10 | 93101-13M27 | .OIL SEAL .SELLO ACEITE | 2 | 2 | |
| 11 | 93110-23M00 | .OIL SEAL .SELLO ACEITE | 1 | 1 | |
| 12 | 63V-11445-00 | .SPACER .ESPACIADOR | 2 | 2 | |
| 13 | 90201-46M29 | .WASHER, PLATE .ARANDELA PLANA | 1 | 1 | |
| 14 | 93210-35M86 | .O-RING .ANILLO O | 1 | 1 | |
| 15 | 63V-W0093-01 | CARBURETOR REPAIR KIT KIT REPARACION CARBURADOR | 1 | 1 | |
| 16 | 679-14923-00 | .SCREW, PILOT .TORNILLO DE AJUSTE | 1 | 1 | |
| 17 | 63V-14126-00 | .GASKET .EMPAQUE | 1 | 1 | |
| 18 | 63V-14984-00 | .GASKET, FLOAT CHAMBER .EMPAQUE CAMARA DE BOIA | 1 | 1 | |
| 19 | 97980-04114 | .SCREW, WITH WASHER .TORNILLO, CON ARANDELA | 4 | 4 | |
| 20 | 65W-14398-00 | .GASKET .EMPAQUE | 1 | 1 | |
| 21 | 63V-14985-00 | .FLOAT .BOIA | 1 | 1 | |
| 22 | 6AH-14546-00 | .VALVE, NEEDLE .VALVULA DE AGUJA | 1 | 1 | |
| 23 | 663-14159-00 | .CLIP .PRESILLA | 1 | 1 | |
| 24 | 6H4-14548-00 | .PIN, FLOAT ARM .PASADOR DE BRAZO DE BOIA | 1 | 1 | |

FIG. 22 REPAIR KIT 2

ESTUCHE REPARATION 2



6B3G200-S220

| REF. NO. | PART NO. CODIGO N° | DESCRIPTION DESCRIPCION | 6B3G | 6B4G | REMARKS OBSERVACIONES |
|----------|--------------------|---|------|------|-----------------------|
| 1 | 6B4-W0001-20 | LOWER UNIT GASKET KIT JUEGO DE EMPAQUE UNIDAD INFER. | 1 | 1 | |
| 2 | 682-45113-A3 | .GASKET, UPPER CASING .EMPAQUE | 1 | 1 | |
| 3 | 682-41133-A0 | .GASKET, EXHAUST MANIFOLD 1 .EMPAQUE ESCAPE MULTIPLE | 1 | 1 | |
| 4 | 90430-08003 | .GASKET .JUNTA | 3 | 3 | |
| 5 | 682-44315-A0 | .GASKET, WATER PUMP .EMPAQUE | 2 | 2 | |
| 6 | 93101-20001 | .OIL SEAL .SELLO ACEITE | 2 | 2 | |
| 7 | 683-45315-A0 | .PACKING, LOWER CASING .EMPAQUE | 1 | 1 | |
| 8 | 6E7-44366-00 | .DAMPER, WATER SEAL 2 .GOMA DEL SELLO DE AGUA 2 | 1 | 1 | |
| 9 | 93101-17001 | .OIL SEAL .SELLO ACEITE | 2 | 2 | |
| 10 | 93210-57M09 | .O-RING .ANILLO O | 1 | 1 | |
| 11 | 93210-56M80 | .O-RING .ANILLO O | 1 | 1 | |
| 12 | 626-44365-01 | .DAMPER, WATER SEAL 1 .HULE DE SELLO DE AGUA 1 | 1 | 1 | |
| 13 | 6B4-W0078-0A | WATER PUMP REPAIR KIT ESTUCHE REPARACION BOMBA AGUA | 1 | 1 | |
| 14 | 682-44365-00 | .DAMPER, WATER SEAL 1 .HULE DE SELLO DE AGUA 1 | 1 | 1 | |
| 15 | 682-44322-41 | .INSERT, CARTRIDGE .CARTUCHO | 1 | 1 | |
| 16 | 682-44352-03 | .IMPELLER .IMPULSOR | 1 | 1 | |
| 17 | 90280-03005 | .KEY, WOODRUFF .CUNA WOODRUFF | 1 | 1 | |
| 18 | 682-44315-A0 | .GASKET, WATER PUMP .EMPAQUE | 2 | 2 | |
| 19 | 682-44323-40 | .OUTER PLATE, CARTRIDGE .PLACA EXTERIOR DEL CARTUCHO | 1 | 1 | |
| 20 | 97595-06545 | .BOLT, WITH WASHER .PERNO CON ARANDELA | 4 | 4 | |

NUMERICAL INDEX
INDICE NUMERICO

| PART NO. CODIGO N° | REF. NO. | PART NO. CODIGO N° | REF. NO. | PART NO. CODIGO N° | REF. NO. | PART NO. CODIGO N° | REF. NO. | PART NO. CODIGO N° | REF. NO. | PART NO. CODIGO N° | REF. NO. |
|-----------------------|-------------|-----------------------|-------------|-----------------------|-------------|-----------------------|-------------|-----------------------|-------------|-----------------------|-------------|
| 6B4-11111-00-1S | 3 - 18 | 63V-14497-02 | 13 - 1 | 6A0-15789-00 | 8 - 28 | 6B4-41262-00 | 5 - 12 | 6E7-43116-00 | 14 - 7 | 682-44365-00 | 17 - 21 |
| 63V-11181-A2 | 3 - 19 | 63V-14523-00 | 6 - 9 | 68T-15793-00 | 8 - 13 | 6J8-41262-00 | 13 - 8 | 663-43118-01-8D | 14 - 5 | | 22 - 14 |
| | 21 - 4 | 63V-14527-00 | 6 - 4 | 63V-15794-00 | 8 - 15 | | 13 - 27 | 66T-43144-00 | 11 - 13 | 626-44365-01 | 18 - 1 |
| 6B4-11191-00-1S | 3 - 21 | 6AH-14546-00 | 6 - 19 | 6YJ-24167-00 | 19 - 7 | 6B4-41271-01 | 5 - 9 | 689-43160-00 | 14 - 18 | | 22 - 12 |
| 6B4-11193-A1 | 3 - 22 | | 21 - 22 | 6YJ-24201-20 | 19 - 1 | 6B4-41273-00 | 5 - 10 | 689-43165-00 | 14 - 19 | 683-44365-01 | 17 - 36 |
| | 21 - 5 | 6H4-14548-00 | 6 - 21 | 6YJ-24260-10 | 19 - 3 | 6B4-41274-00 | 5 - 11 | 6B4-43181-00 | 14 - 43 | 6E7-44366-00 | 17 - 39 |
| 682-11325-00 | 1 - 1 | | 21 - 24 | 6Y1-24268-00 | 19 - 6 | 6B4-41283-00 | 13 - 5 | 682-43311-07-8D | 14 - 22 | | 22 - 8 |
| | 3 - 7 | 697-14555-00 | 6 - 3 | 6G1-24304-10 | 7 - 1 | 6B4-41638-00 | 13 - 9 | 682-43318-01 | 14 - 52 | 683-44373-00 | 17 - 37 |
| 6B4-11351-A1 | 3 - 29 | 679-14923-00 | 6 - 2 | 6G1-24305-05 | 19 - 13 | 6B4-41662-00 | 13 - 20 | | 14 - 54 | 6BL-44391-00 | 11 - 12 |
| | 21 - 7 | | 21 - 16 | 6Y1-24305-06 | 19 - 15 | 6B4-42111-00-8D | 12 - 1 | 676-43373-00 | 14 - 26 | 682-44514-01-CA | 15 - 11 |
| 676-11372-00 | 3 - 15 | 676-14943-29 | 6 - 14 | 61J-24306-04 | 19 - 8 | 6B4-42119-00 | 12 - 14 | 682-43611-01 | 14 - 37 | 682-44514-31-CA | 15 - 11 |
| 6B4-11400-00 | 4 - 6 | 676-14943-79 | 6 - 14 | 6J8-24311-00 | 8 - 27 | 6B4-42125-00 | 12 - 10 | 682-43614-01 | 14 - 35 | 682-44521-01 | 15 - 20 |
| 63V-11412-00 | 4 - 7 | 63V-14947-00 | 6 - 13 | 6B4-24329-00 | 7 - 13 | 6B4-42126-00 | 12 - 11 | 682-43615-02 | 14 - 36 | 682-44522-01 | 15 - 18 |
| 63V-11422-00 | 4 - 8 | 6B3-14947-00 | 6 - 13 | 6Y1-24329-00 | 19 - 5 | 6B4-42131-00-4D | 12 - 6 | 682-43616-00 | 14 - 30 | 682-44532-00 | 16 - 19 |
| 63V-11432-00 | 4 - 9 | 63V-14948-06 | 6 - 7 | 650-24351-51 | 19 - 12 | 6F5-42317-20 | 12 - 15 | 682-43617-00 | 14 - 34 | 682-44551-02-8D | 15 - 21 |
| 63V-11442-00 | 4 - 10 | 679-14966-00 | 6 - 8 | 61J-24360-00 | 19 - 10 | 6B4-42138-00 | 12 - 21 | 6B4-43627-00 | 14 - 44 | 682-44552-02-8D | 15 - 22 |
| 63V-11445-00 | 4 - 27 | 63V-14980-00 | 6 - 12 | 6E0-24378-00 | 16 - 26 | 6G1-42177-00 | 12 - 16 | 6B4-43631-00 | 14 - 28 | 682-44555-30 | 15 - 27 |
| | 21 - 12 | 63V-14984-00 | 6 - 11 | 63V-24411-00 | 6 - 27 | 6B4-42511-00-8D | 15 - 2 | 682-43641-01 | 14 - 31 | 6B4-44555-30 | 15 - 27 |
| 63V-11515-02 | 4 - 13 | | 21 - 18 | 6G1-24411-00 | 6 - 29 | 682-42521-00 | 15 - 5 | 682-43643-00 | 14 - 55 | 682-44557-00 | 15 - 26 |
| 682-11610-01 | 4 - 21 | 63V-14985-00 | 6 - 18 | 6L1-24412-01 | 6 - 28 | 648-42528-00 | 15 - 1 | 682-43659-01 | 14 - 39 | 682-45111-05-8D | 16 - 6 |
| 682-11610-11 | 4 - 21 | | 21 - 21 | 6L5-24421-00 | 6 - 31 | 682-42537-00 | 15 - 7 | 6B4-43681-10 | 14 - 53 | 682-45111-15-8D | 16 - 6 |
| 682-11610-21 | 4 - 21 | 65W-14992-00 | 6 - 17 | 6G1-24431-01 | 6 - 30 | 6B3-42610-20 | 2 - 1 | 6B4-44111-01-8D | 13 - 10 | 6B4-45113-01 | 16 - 3 |
| 6E7-11631-00-97 | 4 - 20 | 6B4-15100-00 | 3 - 2 | 6G1-24452-00 | 6 - 26 | 6B4-42610-40 | 2 - 1 | 6B4-44116-00 | 13 - 15 | 682-45113-A3 | 16 - 3 |
| 63V-11633-00 | 4 - 22 | 6B4-15396-00-CA | 4 - 1 | 61N-24521-00 | 7 - 5 | 6B4-42610-50 | 2 - 1 | 6B4-44121-00 | 13 - 11 | | 22 - 2 |
| 6E7-11635-00 | 4 - 20 | 6B4-15663-00 | 8 - 29 | 61N-24560-00 | 7 - 3 | 6B4-42615-00 | 2 - 3 | 6B4-44125-00 | 13 - 13 | 682-45126-01-CA | 16 - 11 |
| 6E7-11636-00 | 4 - 20 | 63V-15705-10 | 8 - 9 | 61N-24563-00 | 1 - 5 | 6B4-4261A-00 | 2 - 2 | 6B4-44143-00 | 13 - 17 | 682-45127-00 | 16 - 12 |
| 6K4-11651-00 | 4 - 15 | 6B4-15710-10 | 8 - 1 | | 7 - 4 | 6B4-4261A-10 | 2 - 2 | 61N-44146-00 | 13 - 19 | 6B4-45135-00 | 16 - 23 |
| 682-11681-00 | 4 - 14 | 6B4-15711-10 | 8 - 2 | 648-24566-02 | 7 - 11 | 6B4-42646-00 | 2 - 9 | 6B4-44147-00 | 17 - 4 | 6B4-45151-00-8D | 15 - 28 |
| 6E5-12411-30 | 1 - 2 | 63V-15713-00 | 8 - 7 | 6YJ-24610-01 | 19 - 2 | 6B4-42647-00 | 2 - 6 | 6B4-44150-00 | 17 - 3 | 682-45211-31-8D | 16 - 20 |
| | 3 - 25 | 63V-15714-00 | 8 - 5 | 6B4-26301-00 | 12 - 22 | 6B4-42651-00 | 2 - 4 | 6B4-44150-10 | 17 - 3 | 6E7-45214-00 | 18 - 5 |
| 688-12412-00 | 3 - 26 | 63V-15716-10 | 8 - 8 | 61N-26326-00 | 11 - 2 | 677-42675-10 | 2 - 10 | 6B4-44150-30 | 17 - 3 | 6B4-45251-00 | 1 - 8 |
| 682-12413-00-1S | 3 - 24 | 63V-15726-00 | 8 - 19 | 63V-41111-00-1S | 3 - 11 | 677-42676-10 | 2 - 11 | 682-44176-00 | 17 - 5 | | 18 - 7 |
| 682-12414-A1 | 1 - 3 | 63V-15734-00 | 8 - 17 | 63V-41112-A0 | 3 - 13 | 63V-42678-40 | 2 - 12 | 682-44300-40 | 17 - 18 | 6B4-45300-01-8D | 17 - 1 |
| | 3 - 27 | 63V-15741-00 | 8 - 6 | | 21 - 3 | | 2 - 13 | 682-44312-00 | 17 - 19 | 6B4-45300-11-8D | 17 - 1 |
| | 21 - 6 | 63V-15744-00 | 8 - 12 | 6B4-41112-A0 | 3 - 12 | 63W-42678-40 | 2 - 12 | 682-44315-A0 | 17 - 25 | 6B4-45300-31-8D | 17 - 1 |
| 63W-13610-00 | 5 - 1 | 6B4-15746-00 | 13 - 22 | | 21 - 2 | | 2 - 13 | | 22 - 5 | 6E8-45311-01-8D | 17 - 2 |
| 63V-13610-10 | 5 - 1 | 6L2-15747-00 | 13 - 26 | 63V-41113-00-1S | 3 - 14 | 6E0-42681-40 | 2 - 14 | | 22 - 18 | 683-45315-A0 | 17 - 33 |
| 63V-14126-00 | 6 - 5 | 63V-15748-00 | 8 - 16 | 682-41116-00-CA | 16 - 13 | | 2 - 15 | 682-44322-41 | 17 - 22 | | 22 - 7 |
| | 21 - 17 | 6G1-15755-00 | 8 - 20 | 6B4-41116-A0-CA | 16 - 13 | 6B4-42711-00-8D | 11 - 1 | | 22 - 15 | 626-45316-09 | 17 - 31 |
| 663-14159-00 | 6 - 20 | 6B4-15758-A0 | 8 - 22 | 6B4-41131-00-CA | 16 - 8 | 6B4-42716-00 | 11 - 11 | 682-44323-40 | 17 - 26 | 6B4-45318-00 | 16 - 17 |
| | 21 - 23 | 6B4-15761-00 | 2 - 8 | 6B4-41131-10-CA | 16 - 8 | 6B4-42727-00 | 11 - 3 | | 22 - 19 | 6E7-45331-00-CA | 17 - 30 |
| 6B3-14301-00 | 6 - 1 | 6B4-15762-00 | 8 - 23 | 6B4-41131-20-CA | 16 - 8 | 6EE-42794-40 | 11 - 19 | 682-44328-00 | 17 - 29 | 682-45344-00 | 17 - 27 |
| 6B4-14301-00 | 6 - 1 | 63V-15764-00 | 8 - 3 | 682-41133-A0 | 16 - 9 | 6B4-42815-00-8D | 11 - 4 | 682-44352-03 | 17 - 23 | 6B4-45361-00-8D | 17 - 53 |
| 65W-14398-00 | 6 - 16 | 68T-15764-00 | 8 - 4 | | 22 - 3 | 6B4-42816-00 | 11 - 5 | | 22 - 16 | 683-45361-02-8D | 17 - 53 |
| | 21 - 20 | 63V-15767-01 | 8 - 10 | 6B4-41137-A0-CA | 16 - 1 | 682-43111-05-8D | 14 - 1 | 682-44361-01 | 18 - 2 | 682-45375-01 | 18 - 10 |
| 6B4-14440-00 | 5 - 4 | 6B4-15770-00 | 13 - 28 | 6B4-41137-B0-CA | 16 - 1 | 682-43112-05-8D | 14 - 2 | 6B4-44361-10 | 18 - 2 | 682-45376-01 | 17 - 17 |
| 624-14485-00 | 3 - 3 | 6G1-15779-00 | 8 - 21 | 63V-41211-00 | 13 - 7 | 6B4-43113-00 | 14 - 12 | 6B4-44361-30 | 18 - 2 | 6B4-45501-00 | 17 - 40 |
| 650-14485-03 | 3 - 4 | 68T-15784-00 | 8 - 11 | 6B4-41252-00 | 5 - 13 | 648-43114-01 | 14 - 8 | 683-44362-01 | 17 - 35 | 6B4-45501-10 | 17 - 40 |

NUMERICAL INDEX
INDICE NUMERICO

| PART NO. CODIGO N° | REF. NO. | PART NO. CODIGO N° | REF. NO. | PART NO. CODIGO N° | REF. NO. | PART NO. CODIGO N° | REF. NO. | PART NO. CODIGO N° | REF. NO. | PART NO. CODIGO N° | REF. NO. |
|-----------------------|-------------|-----------------------|-------------|-----------------------|-------------|-----------------------|-------------|-----------------------|-------------|-----------------------|-------------|
| 6B4-45501-30 | 17 - 40 | 6B4-85530-00 | 10 - 3 | 90171-08M00 | 14 - 60 | 90387-06M24 | 9 - 8 | 92990-08600 | 14 - 25 | 93606-12019 | 18 - 3 |
| 6E7-45536-00 | 17 - 8 | 63V-85533-00 | 9 - 4 | 90171-10M01 | 18 - 13 | | 20 - 2 | | 14 - 61 | 93700-06M03 | 14 - 23 |
| 63V-45551-00 | 17 - 41 | | 20 - 1 | 90171-10M07 | 18 - 18 | 90387-06M50 | 13 - 2 | | 15 - 33 | 94702-00160 | 1 - 4 |
| 6E7-45560-01 | 17 - 43 | 6B4-85540-04 | 10 - 1 | 90173-06009 | 8 - 25 | 90430-08003 | 1 - 7 | 92995-06600 | 5 - 6 | | 3 - 30 |
| 664-45567-01 | 17 - 13 | 6B4-85550-01 | 9 - 1 | 90179-08M06 | 17 - 42 | | 17 - 15 | | 14 - 16 | 94702-00247 | 1 - 4 |
| 664-45567-10 | 17 - 13 | 6B4-85550-10 | 9 - 1 | 90185-08057 | 15 - 17 | | 22 - 4 | 92995-08100 | 15 - 32 | | 3 - 30 |
| 664-45567-20 | 17 - 13 | 6B4-85570-00 | 10 - 3 | 90201-08M12 | 15 - 14 | 90445-07022 | 16 - 24 | 92995-08600 | 12 - 9 | 95380-03600 | 6 - 24 |
| 664-45567-30 | 17 - 13 | | 10 - 4 | 90201-08M13 | 15 - 15 | 90445-07M08 | 3 - 5 | 93101-13M27 | 4 - 4 | 95380-06600 | 12 - 12 |
| 664-45567-40 | 17 - 13 | 6B4-85580-00 | 9 - 2 | 90201-10M01 | 18 - 12 | 90445-07MA6 | 16 - 25 | | 21 - 10 | 95380-06700 | 13 - 18 |
| 664-45567-50 | 17 - 13 | 6B4-W0001-00 | 21 - 1 | 90201-10M02 | 12 - 18 | 90445-09104 | 3 - 16 | 93101-17001 | 17 - 56 | | 14 - 17 |
| 664-45567-60 | 17 - 13 | 6B4-W0001-20 | 22 - 1 | | 18 - 19 | | 7 - 8 | | 22 - 9 | 95380-08600 | 7 - 7 |
| 6E7-45571-00 | 17 - 44 | 682-W0004-00 | 5 - 2 | 90201-12018 | 14 - 10 | 90445-09M00 | 7 - 9 | 93101-20001 | 17 - 32 | 95380-08700 | 15 - 25 |
| 626-45577-00 | 17 - 45 | 6B4-W0078-0A | 1 - 9 | 90201-12472 | 9 - 13 | 90445-11M05 | 19 - 11 | | 22 - 6 | | 15 - 25 |
| 626-45577-10 | 17 - 45 | | 22 - 13 | 90201-14377 | 4 - 24 | 90445-11M06 | 19 - 9 | 93102-25010 | 4 - 3 | 95680-06100 | 14 - 47 |
| 626-45577-20 | 17 - 45 | 6B4-W0090-00-1S | 3 - 1 | 90201-15017 | 17 - 11 | 90464-08M02 | 10 - 13 | | 21 - 9 | 95780-12300 | 14 - 13 |
| 626-45577-30 | 17 - 45 | 63V-W0093-01 | 21 - 15 | 90201-17682 | 17 - 46 | 90465-06M90 | 9 - 6 | 93110-23M00 | 4 - 26 | 95895-06020 | 18 - 8 |
| 626-45577-40 | 17 - 45 | 656-W2810-02 | 7 - 14 | 90201-28013 | 12 - 4 | | 10 - 12 | | 21 - 11 | 95895-06065 | 13 - 3 |
| 6E8-45587-10 | 17 - 10 | 683-W4591-02 | 18 - 16 | 90201-46M29 | 4 - 28 | 90465-08M99 | 10 - 16 | 93210-08287 | 19 - 14 | 97013-06010 | 7 - 12 |
| 6E8-45587-30 | 17 - 10 | 683-W4592-02 | 18 - 16 | | 21 - 13 | 90465-11M10 | 10 - 7 | | 19 - 16 | 97075-08025 | 14 - 27 |
| 683-45611-00 | 17 - 47 | 90101-06M29 | 14 - 15 | 90202-10M56 | 14 - 50 | 90465-11M52 | 15 - 19 | 93210-32738 | 1 - 6 | 97095-06008 | 14 - 56 |
| 682-45631-00 | 17 - 49 | 90101-08M30 | 15 - 13 | 90202-13M02 | 15 - 16 | 90465-13M36 | 16 - 28 | | 7 - 6 | 97095-06010 | 17 - 38 |
| 648-45633-11 | 17 - 51 | 90101-12013 | 14 - 9 | 90206-10M24 | 14 - 49 | 90467-06016 | 3 - 6 | 93210-35M86 | 5 - 8 | 97095-06014 | 11 - 9 |
| 650-45635-00 | 17 - 48 | 90102-08M01 | 14 - 58 | 90206-12052 | 11 - 8 | | 16 - 27 | | 21 - 14 | 97095-06095 | 5 - 5 |
| 683-45941-00 | 18 - 15 | 90105-06M01 | 16 - 14 | 90206-28001 | 12 - 5 | 90467-08004 | 7 - 10 | 93210-40M10 | 15 - 9 | 97095-08012 | 15 - 31 |
| 683-45943-00 | 18 - 15 | 90105-07M05 | 3 - 20 | 90209-14011 | 17 - 9 | 90480-25161 | 10 - 8 | 93210-46M16 | 4 - 2 | 97095-08030 | 12 - 8 |
| 63V-45943-10 | 18 - 15 | 90109-06M05 | 14 - 42 | 90209-20M23 | 4 - 17 | | 10 - 10 | | 21 - 8 | 97575-08535 | 16 - 22 |
| 63V-45945-10 | 18 - 15 | 90109-06M80 | 11 - 14 | 90209-52M01 | 15 - 6 | 90501-10326 | 6 - 10 | 93210-56M80 | 17 - 58 | | 18 - 4 |
| 63V-45947-00 | 18 - 15 | | 13 - 16 | 90243-04007 | 14 - 6 | 90501-14M06 | 17 - 52 | | 22 - 11 | 97575-08550 | 16 - 7 |
| 683-45947-00 | 18 - 15 | 90109-06M81 | 13 - 21 | 90249-06M23 | 14 - 32 | 90501-18M00 | 14 - 24 | 93210-57M09 | 17 - 57 | 97575-08555 | 15 - 24 |
| 683-45949-00 | 18 - 15 | 90116-08013 | 15 - 29 | 90249-10003 | 14 - 45 | 90501-23215 | 12 - 19 | | 22 - 10 | 97595-06510 | 10 - 17 |
| 683-45952-00 | 18 - 15 | 90119-06023 | 3 - 23 | 90250-05010 | 17 - 50 | 90502-10M07 | 14 - 21 | 93306-00501 | 17 - 54 | 97595-06512 | 13 - 4 |
| 63V-45952-10 | 18 - 15 | | 9 - 5 | 90266-04005 | 2 - 7 | 90506-12002 | 14 - 46 | 93306-205A1 | 4 - 11 | 97595-06514 | 10 - 15 |
| 6E7-45986-00 | 18 - 17 | | 10 - 11 | 90266-04M00 | 2 - 5 | 90506-18009 | 11 - 15 | 93310-620W5 | 4 - 16 | 97595-06516 | 4 - 5 |
| 6E7-45987-01 | 18 - 11 | 90119-06M40 | 9 - 9 | 90280-03005 | 17 - 24 | 90506-26M01 | 14 - 41 | 93315-314V8 | 17 - 7 | | 11 - 10 |
| 6EE-81994-40 | 8 - 31 | | 20 - 3 | | 22 - 17 | 90506-26M07 | 14 - 41 | 93315-317U2 | 17 - 55 | 97595-06520 | 5 - 3 |
| 6EE-81995-40 | 8 - 30 | 90119-06M82 | 8 - 26 | 90280-05013 | 9 - 11 | 90508-08M39 | 13 - 24 | 93332-00005 | 17 - 12 | | 7 - 2 |
| 703-82119-00 | 9 - 10 | 90119-06M83 | 10 - 2 | 90340-08002 | 17 - 14 | 90508-14018 | 14 - 29 | 93390-00029 | 4 - 12 | | 9 - 7 |
| 6E7-82127-00 | 16 - 16 | 90119-06MA3 | 3 - 28 | 90381-12001 | 14 - 11 | 90508-20M38 | 13 - 6 | 93420-30042 | 16 - 18 | | 13 - 25 |
| 6E5-82148-00 | 14 - 3 | 90119-06MA4 | 3 - 17 | 90381-20001 | 12 - 3 | 91490-16010 | 12 - 13 | 93440-52009 | 4 - 19 | | 16 - 10 |
| 6B4-82316-00 | 10 - 14 | | 16 - 4 | 90381-35001 | 12 - 2 | 91490-16018 | 8 - 18 | 93450-15023 | 4 - 25 | | 17 - 59 |
| 62E-8231X-00 | 10 - 6 | 90119-08M07 | 3 - 10 | 90386-08032 | 12 - 20 | 91490-20015 | 14 - 59 | 93602-14104 | 4 - 23 | 97595-06525 | 15 - 4 |
| 6E3-82370-21 | 10 - 9 | 90119-08M45 | 15 - 23 | 90386-12M45 | 11 - 6 | 91490-30020 | 18 - 14 | 93604-08062 | 17 - 16 | | 15 - 12 |
| 62E-82371-11 | 10 - 5 | 90152-05011 | 12 - 17 | 90386-12MA2 | 11 - 7 | 91609-20008 | 4 - 18 | 93606-12019 | 3 - 9 | 97595-06535 | 8 - 24 |
| 682-82556-00 | 11 - 17 | 90157-05M19 | 19 - 4 | 90386-40M08 | 15 - 10 | 91690-20010 | 5 - 14 | | 15 - 3 | 97595-06545 | 17 - 28 |
| 689-82575-04 | 11 - 16 | 90157-06M06 | 16 - 15 | 90386-40M09 | 15 - 8 | 91690-30008 | 14 - 20 | | 16 - 2 | | 22 - 20 |
| 689-8257Y-00 | 11 - 18 | 90159-05007 | 5 - 7 | 90387-06M06 | 13 - 23 | 92990-06300 | 18 - 9 | | 16 - 5 | 97595-08555 | 12 - 7 |
| 6N7-83557-00 | 10 - 18 | 90170-08009 | 15 - 30 | 90387-06M13 | 14 - 14 | 92990-06600 | 14 - 48 | | 16 - 21 | 97780-40112 | 17 - 20 |
| 6B4-85520-00 | 9 - 3 | 90170-12066 | 9 - 12 | 90387-06M20 | 14 - 38 | | 14 - 57 | | 17 - 34 | 97780-40520 | 13 - 12 |

NUMERICAL INDEX
INDICE NUMERICO

| PART NO. CODIGO N° | REF. NO. | PART NO. CODIGO N° | REF. NO. | PART NO. CODIGO N° | REF. NO. | PART NO. CODIGO N° | REF. NO. | PART NO. CODIGO N° | REF. NO. | PART NO. CODIGO N° | REF. NO. |
|-----------------------|-------------|-----------------------|-------------|-----------------------|-------------|-----------------------|-------------|-----------------------|-------------|-----------------------|-------------|
| 97780-40520 | 13 - 14 | | | | | | | | | | |
| 97780-50110 | 17 - 6 | | | | | | | | | | |
| 97803-04010 | 6 - 6 | | | | | | | | | | |
| 97880-05012 | 18 - 6 | | | | | | | | | | |
| 97885-06008 | 14 - 4 | | | | | | | | | | |
| 97980-04114 | 6 - 15 | | | | | | | | | | |
| | 21 - 19 | | | | | | | | | | |
| 97980-04123 | 6 - 25 | | | | | | | | | | |
| 98580-04006 | 6 - 32 | | | | | | | | | | |
| 98580-04008 | 6 - 22 | | | | | | | | | | |
| 98780-05015 | 3 - 8 | | | | | | | | | | |
| 98980-03006 | 6 - 23 | | | | | | | | | | |
| 99080-05600 | 14 - 33 | | | | | | | | | | |
| | 14 - 40 | | | | | | | | | | |
| 99080-09600 | 14 - 51 | | | | | | | | | | |